



## >>> COVERT COLOR CAMERAS

### HEIGHT-STRIP (HS) DAY / NIGHT COVERT COLOR CAMERA

# CH7D37PB

- > High Resolution (700TVL) Day / Night Color Camera in a Covert Height-Strip Housing
- > Graduated and Color Coded height measurements in U.S. or Metric dimensions
- > 3.7mm Fixed Iris Pinhole Lens
- > Swivel Bracket Allows Adjustment of the Camera's View to Accommodate Double Doors
- > Black Aluminum Housing to Match Standard Commercial Door Frames
- > Unique 5° Vertical Tilt lever on Back of Camera for Adjusting Vertical Camera Angle
- > Position of Camera in Housing is Adjustable from the 5'-6" Level (default) to the 5' Level
- > Digital Noise Reduction (2D-DNR), Auto Gain Control (AGC) and Side Light Compensation (SLC)
- > Minimum Scene Illumination 0.1Lux (Color); 0.04Lux (B/W)
- > 12VDC Power Supply included



### MINI-STRIP (MS) DAY / NIGHT COVERT COLOR CAMERA

# CS7D37PB

- > High Resolution (700TVL) Day / Night Color Camera in a Covert Mini-Strip Housing
- > 3.7mm Fixed Iris Pinhole Lens
- > Unique Design Permits Horizontal (Above Door) and Vertical (Beside Door) Installations
- > Swivel Bracket Allows Adjustment of the Camera's View to Accommodate Double Doors
- > Black Anodized Aluminum Housing to Match Standard Commercial Doorframe
- > Unique 5° Vertical Tilt lever on Back of Camera for Adjusting Vertical Camera Angle
- > Digital Noise Reduction (2D-DNR), Auto Gain Control (AGC) and Side Light Compensation (SLC)
- > Minimum Scene Illumination 0.1Lux (Color); 0.04Lux (B/W)
- > 12VDC Power Supply Included



COVERT COLOR CAMERAS

# Height-Strip / Mini-Strip

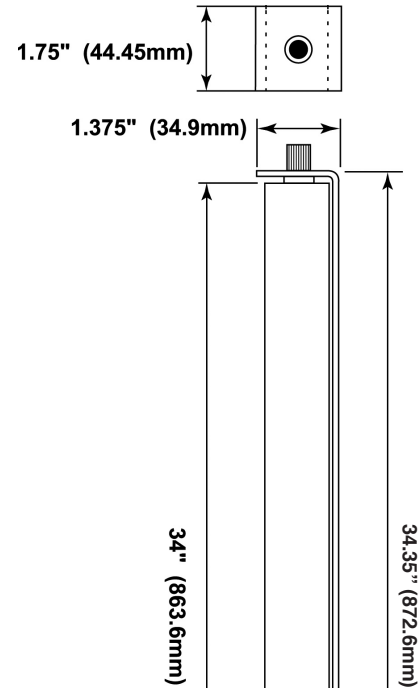
SPECIALTY SERIES

SPECIFICATIONS

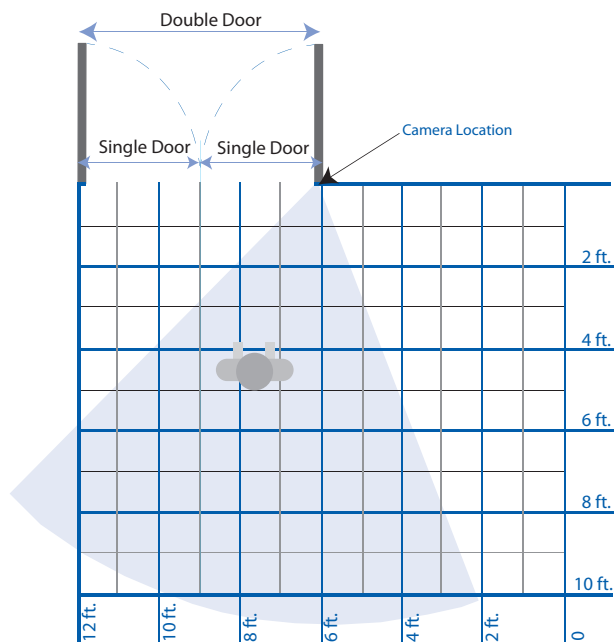
MODEL		CH7D37PB - Height-Strip Covert Camera, Black Housing
MODEL		CS7D37PB - Mini-Strip Covert Camera, Black Housing
V I D E O	Image Sensor	1/3" CCD, 976 (H) x 494 (V) Pixels
	Scanning System	2:1 Interlace
	Scanning Frequency	15.734KHz(H) x 59.94Hz(V)
	Sync. System	Internal
	Resolution	700TVL Color
	Pinhole Lens	3.7mm fixed iris
	Electronic Iris	1/60 ~ 1/100,000 Sec.
	Minimum Illum.	0.1Lux Color; 0.04Lux B/W; F1.2, 50 IRE
	Video Output	1.0Vp-p (75-ohm), Video BNC
	Signal/Noise Ration	>50dB
	Side Light Compensation	Auto
	Digital Noise Reduction	2D-DNR
	AGC	On
	White Balance	Auto(ATW)
Day/Night	Auto	
G E N E R A L	Camera Connectors	Video, BNC / Power, Terminal Block
	Dimension (WxHxD)	(HS) 1.75" x 34.35" x 1.375" (44.45mm x 872.6mm x 34.9mm) (MS) 1.75" x 6.35" x 1.375" (44.45mm x 161.4mm x 34.9mm)
	Weight	(HS) 2.8lbs (1.26kg) (MS) .72lbs (.325kg)
	Power	12~15 VDC, 130ma (1.5W)
	Operating Temperature	14°F ~ 122°F (-10°C ~ + 50°C)

DIMENSIONS

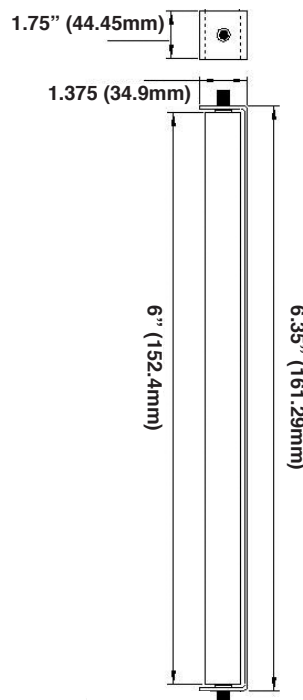
HEIGHT-STRIP (HS)



Range of View with H.S. Camera



MINI-STRIP (MS)



Line drawings are not to same scale.