

DB 242

Light Duty, Wall Mount, Enclosure

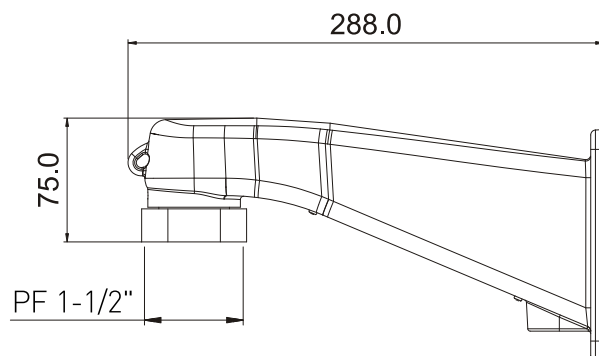
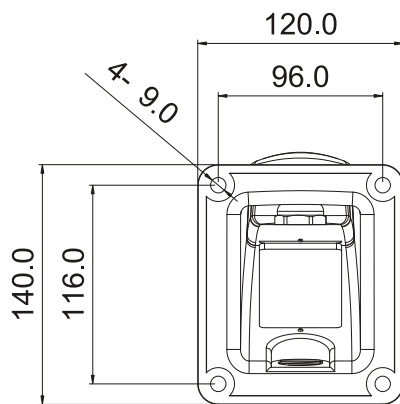


PRODUCT FEATURES

- Light duty Wall Mount
- Die cast and aluminum
- Maximum load 19.8 lb (9.0kg)
- Easy and safe to instal
- Equipped and with the PT plug

The HDB242 is light duty wall mount designed for use with an enclosure.

This mount is for use in wall mounting applications and is capable of supporting loads up to 19.8 lb (9.0kg).



SPECIFICATION

GENERAL

Enclosure mounting	machine screw (supplied).
Construction	Die cast and aluminum
Finish	Light-gray polyester power coat
Maximum load	19.8 lb (9.0kg)
Inlet Dimension	PF 1-1/2"
Dimension	See dimensional outline
Weight	Unit Shipping
	3.97 lb (1.8Kg) 4.63 lb (2.1Kg)

RECOMMENDED ENCLOSURE

DH304-OC	Light duty enclosure
DH304-IC	Light duty enclosure