

PRODUCTION RELEASE & REVISION						
REV	DESCRIPT'N/BUYER	DWG No	PARTS No.	BY	CHK	DATE
A	INITIAL	-----	50302221	Y.W.KOH	N.C.PARK	07-16-M7
A	오타수정	-----	50302221	A.K.HAN	N.C.PARK	09-12-M8

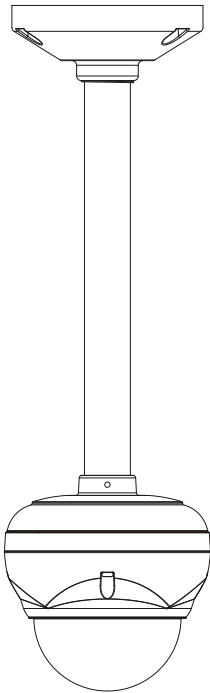
NOTES

- MODEL: HVPWB2, HVPCB2, HVPWCB2 / ALL BRAND
- MATERIAL: ART PAPER 100g/m², WHITE
BIND : STAPLES-2
- FINISH: -----
- COLOR: TEXT-BLACK
- SIZE: 148(+/-5)mm x 210(+/-5)mm R: 0.0
- ANY CHANGE OR ALTERNATION MUST BE APPROVED BY HITRON DESIGN TEAM.

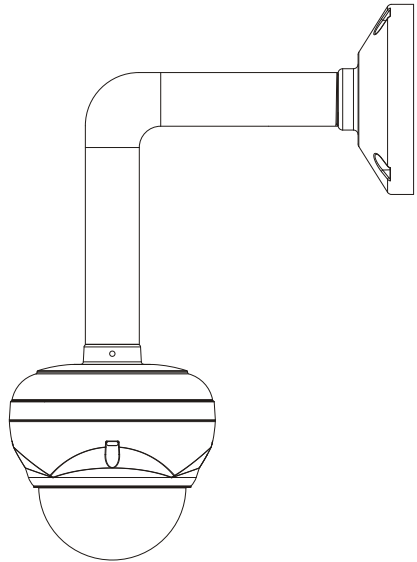
협 의	기구설계
	서경준
	09-12-M8

도급품 50302221		ITEM	DESCRIPTION/MATERIAL	QTY
UNLESS OTHERWISE SPECIFIED ALL DIMENSIONS ARE IN MM. - TOLERANCE LABEL +/- 1.5 MANUAL +/- 3.5 ANGULAR +/- 0.5		PARTS LIST		
APPROVALS		DATE	HITRON	
MATERIAL		CHKED	TITLE	
FINISH		DRAWN	MANUAL INSTRUCTION	
2		W.S.CHOI	DATE	REV. B
		Y.W.KOH	09-12-M8	SCALE DO NOT SCALE

WALL / CEILING MOUNT BRACKET



Ceil Type



Wall Type

Please read this manual thoroughly before use, and keep it handy for future reference.

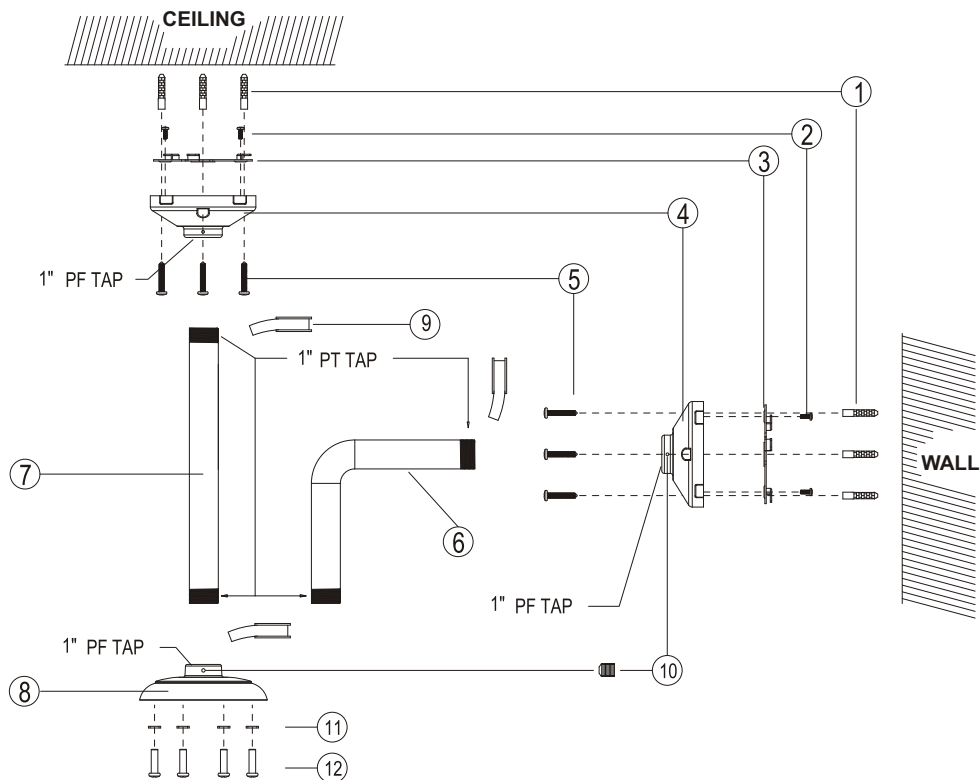
1. ASSEMBLY PARTS LIST

ITEM	Q' TY	PART NAME	DESCRIPTION
1	3	PLASTIC BUSHING	ANCHOR (∅6.0mm)
2	2	MACHINE SCREW	UNC #8-32 SCREW (L=8mm)
3	1	PLATE	GI 1.6t
4	1	MOUNT BASE	PF 1" , ALUMINUM
5	3	SCREW TAPPING	M6, L = 35.0mm
6	1	PIPE (90° ANGLE TYPE)(Option)	PT 1" , ALUMINUM
7	1	PIPE (STRAIGHT TYPE)(Option)	PT 1" , ALUMINUM
8	1	DOME ADAPTOR	PF 1" , ALUMINUM
9	1	SEAL TAPE	TEFLON
10	2	SET SCREW	M5 x 5.0mm
11	4	O-RING	
12	7	MACHINE SCREW	M6 x 12.0
13	1	L-WRENCH	

2. INSTALLATION

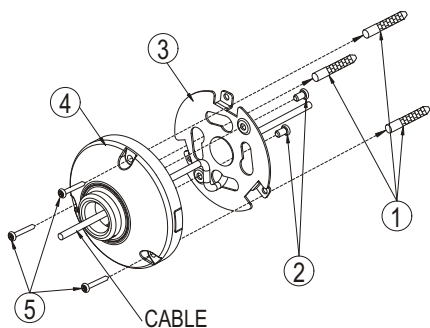
1. Attach the mount base (④) and plate (③) to the ceiling or wall using the supplied M6 tapping screws (⑤) and plastic bushings(①)
(Please refer to page 3 for an assembly drawing of the of plate)
2. Wind Teflon tape (⑨) around both threaded ends of the pipe (about 20times) for sealing.
If necessary, use a silicone rubber sealant to seal the area where the mount base and the pipe meet.
3. Fit the pipe (of which threads are covered by teflon tape) into the mount base (④) and turn until it is securely fastened.
4. Pull all the required cables through the mount base(④) and pipe(⑥ , ⑦).
5. Align the dome adaptor (⑧) with the pipe and turn until it is securely fastened.
6. Fasten the mount base (④), dome adaptor (⑧) using the set screw (⑩).
7. Fasten the vandal proof dome housing to the dome adaptor (⑧) using M6 x 12 machine screw.

EXPLODE VIEW

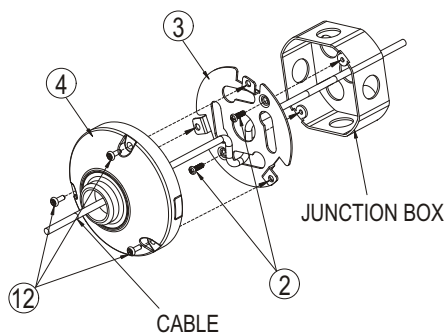


How to install the plate

• Ex1. Without junction box

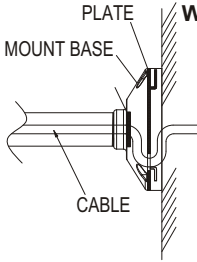


• Ex2. With junction box

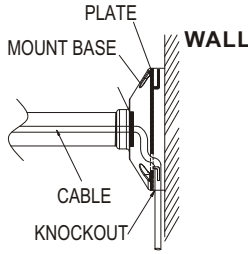


* ATTENTION TO THE
PLATE SIDE.

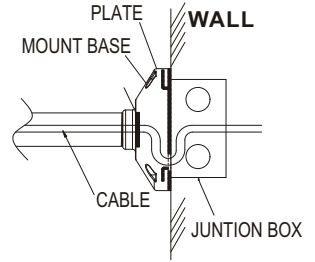
3. SPECIFICATIONS



1. Cable passing through the wall

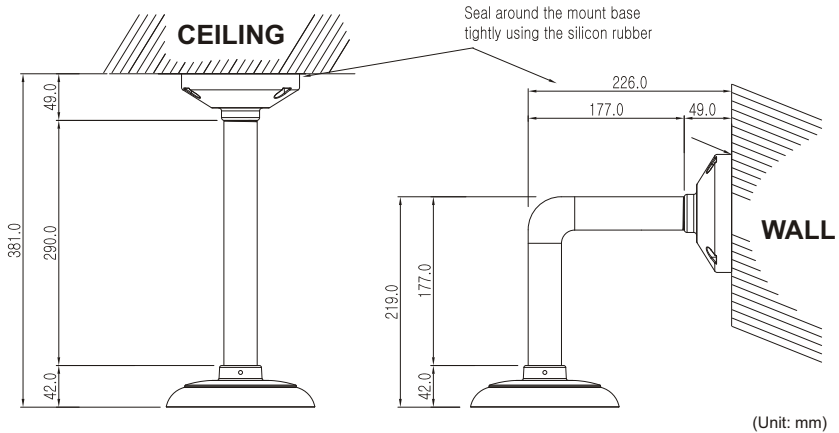


2. Cable on the wall (Remove the conduit knockout for cable passing through)

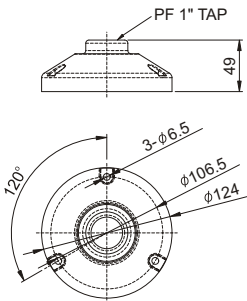


3. Cable Passing through the wall with the junction box (Attention to the plate side)

4. DIMENSION DRAWING

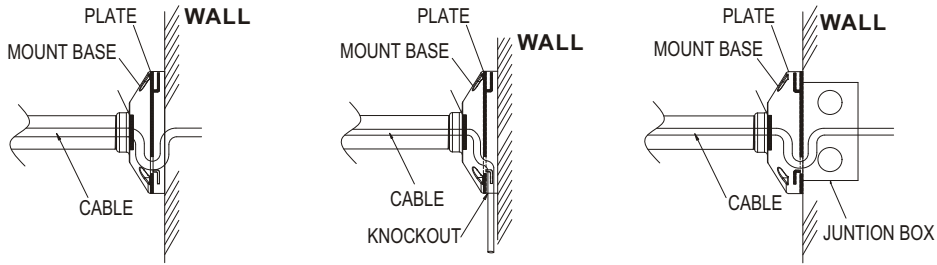


[Mount Base Size]



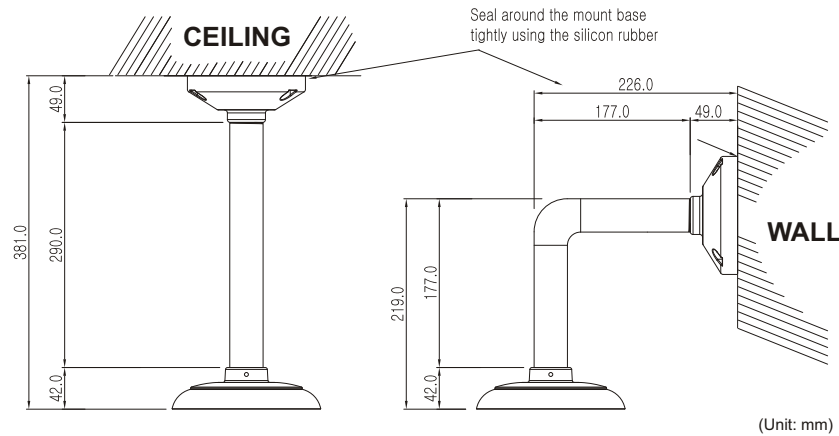
Pipe Specification	1" PF TAP
Construction	Aluminum and steel
Maximum Load	Approx 11 lbs (5 kg)
Weight - Unit Shipping	Approx 2.6 lbs (1.3 kg) Approx 3.5 lbs (1.7 kg)

3. SPECIFICATIONS

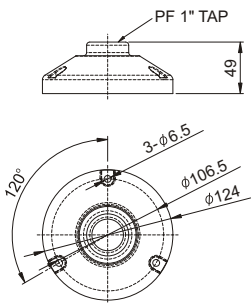


1. Cable passing through the wall
2. Cable on the wall (Remove the conduit knockout for cable passing through)
3. Cable Passing through the wall with the junction box (Attention to the plate side)

4. DIMENSION DRAWING

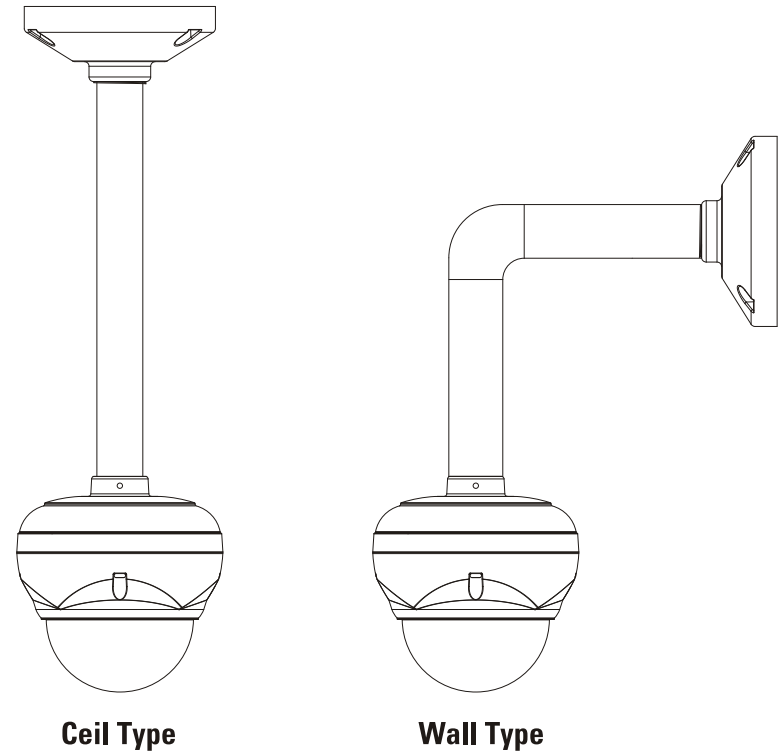


[Mount Base Size]



Pipe Specification	1" PF TAP
Construction	Aluminum and steel
Maximum Load	Approx 11 lbs (5 kg)
Weight - Unit Shipping	Approx 2.6 lbs (1.3 kg) Approx 3.5 lbs (1.7 kg)

WALL / CEILING MOUNT BRACKET



Please read this manual thoroughly before use, and keep it handy for future reference.

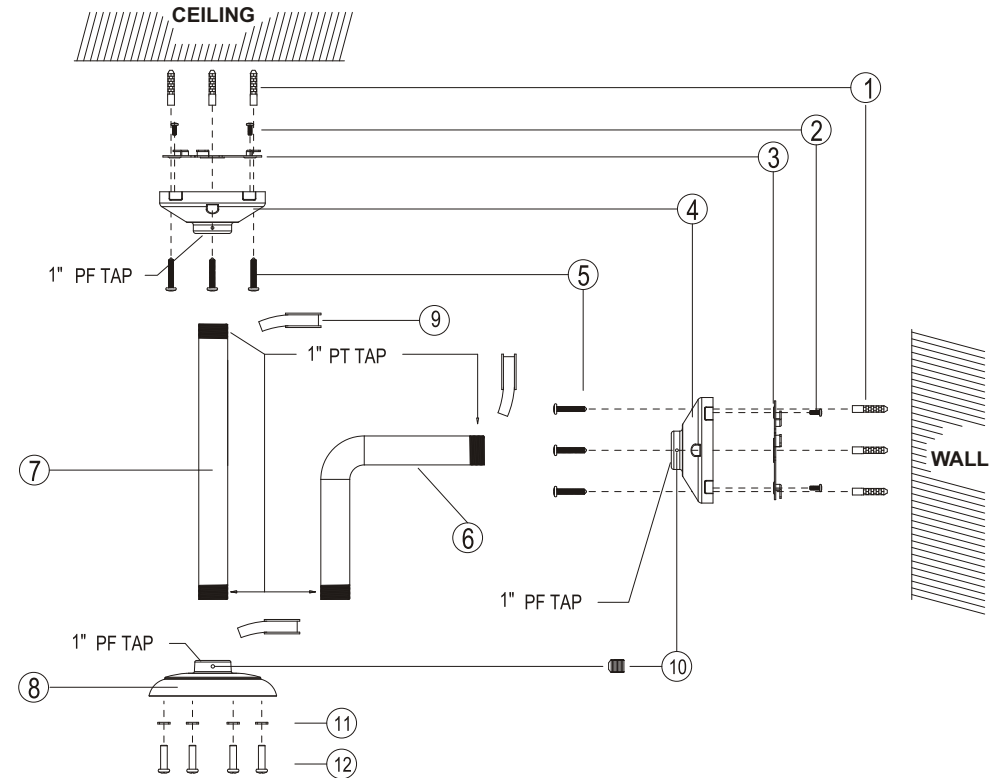
1. ASSEMBLY PARTS LIST

ITEM	Q' TY	PART NAME	DESCRIPTION
1	3	PLASTIC BUSHING	ANCHOR (∅6.0mm)
2	2	MACHINE SCREW	UNC #8-32 SCREW (L=8mm)
3	1	PLATE	GI 1.6t
4	1	MOUNT BASE	PF 1", ALUMINUM
5	3	SCREW TAPPING	M6, L = 35.0mm
6	1	PIPE (90° ANGLE TYPE)(Option)	PT 1", ALUMINUM
7	1	PIPE (STRAIGHT TYPE)(Option)	PT 1", ALUMINUM
8	1	DOME ADAPTOR	PF 1", ALUMINUM
9	1	SEAL TAPE	TEFLON
10	2	SET SCREW	M5 x 5.0mm
11	4	O-RING	
12	7	MACHINE SCREW	M6 x 12.0
13	1	L-WRENCH	

2. INSTALLATION

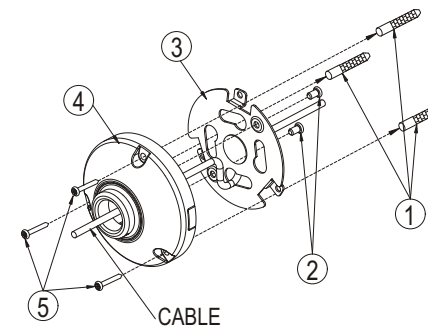
- Attach the mount base (4) and plate (3) to the ceiling or wall using the supplied M6 tapping screws (5) and plastic bushings(1)
(Please refer to page 3 for an assembly drawing of the of plate)
- Wind Teflon tape (9) around both threaded ends of the pipe (about 20times) for sealing.
If necessary, use a silicone rubber sealant to seal the area where the mount base and the pipe meet.
- Fit the pipe (of which threads are covered by teflon tape) into the mount base (4) and turn until it is securely fastened.
- Pull all the required cables through the mount base(4) and pipe(6, 7).
- Align the dome adaptor (8) with the pipe and turn until it is securely fastened.
- Fasten the mount base (4), dome adaptor (8) using the set screw (10).
- Fasten the vandal proof dome housing to the dome adaptor (8) using M6 x 12 machine screw.

EXPLODE VIEW



How to install the plate

• Ex1. Without junction box



* ATTENTION TO THE PLATE SIDE.

• Ex2. With junction box

