

## OUTDOOR ENCLOSURES

### NEMA 4:

- **BW-1248BP**, 24"W x 24"H x 8"D with a 22"x22" removable interior back-panel, lock, two 1/4-turn latches, door-pocket, rain-channel, and exterior mounting ears
- **BW-1248BPW** the BW-1248BP with an air-tight/water-tight window in the door
- **BW-124BP**, 24"W x 24"H x 12"D with a 22"x22" removable interior back-panel, lock, two 1/4-turn latches, door-pocket, rain-channel, and exterior mounting ears
- **BW-124BPW** the BW-124BP with an air-tight/water-tight window in the door
- **BW-136BP**, 24"W x 36"H x 12"D with a 22"x34" removable interior back-panel, lock, two 1/4-turn latches, door-pocket, rain-channel, and exterior mounting ears
- **BW-136BPW** the BW-136BP with an air-tight/water-tight window in the door

Mier also has heated, fan-cooled, air-conditioned, or air-conditioned and heated versions of all these units!

### NEMA 3R:

- **BW-117**, 10"W x 12"H x 6"D with removable pad-lockable door and rain-shield
- **BW-118**, 6"W x 8"H x 4"D with a removable pad-lockable door and rain-shield
- **BW-119L**, 10"W x 12"H x 6"D with lock, two 1/4-turn latches, rain-shield, gasket and exterior mounting ears
- **BW-119LBP**, a BW-119L with a removable interior back-panel
- **BW-120**, 6"W x 8"H x 4"D with a 1/4-tuirm latch, rain-shield, gasket and exterior mounting ears

### NEMA 1 Outdoor:

- **BW-120 DEPOSIT Box**, 14"W x 18"H x 10"D with a rain-shield, driop-down door which is hinged along the bottom, and a lock
- **BW-112 Siren/Speaker Box**, 8.55"W x 6.6"H x 5.55"D (siren/speaker not included)
- **BW-113 Siren/Speaker Box**, 7.25"W x 7.25"H x 6.25"D (siren/speaker not included)
- **BW-114 Siren/Speaker Box**, 11"W x 9.25"H x 6"D (siren/speaker not included)
- **BW-115/116 Siren/Speaker Box**, 11.3"W x 8.3"H x 10.5"D (siren/speaker not included)
- **BW-307 Bell Box with hinged door**, 13.5"W x 13.5"H x 4"D (bell not included)
- **BW-308 Bell Box with bolt-on door**, 13.5"W x 13.5"H x 4"D (bell not included)

Also see our **Outdoor Polycarbonate Enclosures** which are **UL Listed, NEMA Rated** and are perfect for outdoor, WiFi or corrosive environment installations.

If you don't see the enclosure you are looking for call or e-mail us and we'll be happy to help! Custom enclosures, colors, and/or graphic-screening is available for quantities of 25 units or more.

## BW-124BP



Other colors and graphic screening are available for quantities of 25 or more.

## BW-117



## BW-119L



## BW-115/116



## BW-307



Driveway Alarms | Vehicle Detection & Asset Protection | Drive-Up Window Detection Systems | Indoor and Outdoor Electrical Enclosures | UL/NEMA Non-Metallic Enclosures | Indoor and Outdoor DVR/CPU Lockboxes | Indoor and Outdoor Rack Enclosures | Outdoor Temperature-Controlled Enclosures | Document Boxes | Siren/Speaker Cabinets | Bell Boxes | Structured-Wiring Flush-Mount Cabinets | Power Supply Boxes | Battery Cabinets | Transformer Covers | Custom Fabrication | Custom Powder-Coating & Painting | Custom Graphic Screening



# Mounting Examples for Mier Products' TEMPERATURE CONTROLLED ENCLOSURES

Mounted inside the gate-house at a gated community



Along a gate using metal tubing to run wiring from one enclosure to another



Wall-mount



Rack Enclosure mounted on a wall



Using metal tubing or angle-iron and a concrete slab



Installer made mounting surface



Using metal tubing and angle-iron



Pole-Mount Kits available for our enclosures to be mounted on 4" to 14" poles. Call us and specify the enclosure you want to use, and the pole size, for help choosing the correct pole-mount kit.



### NOTE: Do Not Mount On Apartment/Condo/Office Walls

Home and office AC units are mounted a few feet away from a home or on the roof of an office building in order to avoid vibration noise from becoming a nuisance to those who live/work within. For that same reason, Mier recommends installers mount our temperature-controlled enclosures on concrete slabs with angle-iron or poles as pictured, or on walls that are not common to living or office space.

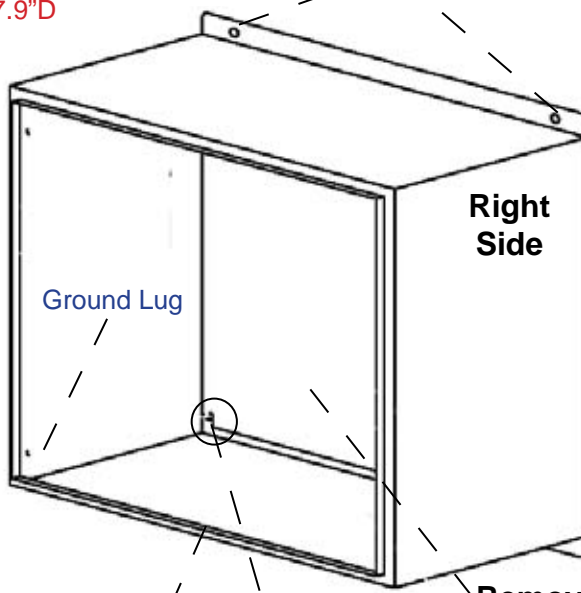
- Our engineers recommend the following options around **RGS fittings** in holes installers might cut into the enclosures, in order to keep NEMA ratings:
- If not using conduit or flex-cable, and running your cords directly into the enclosure, we recommend drilling your holes in the bottom of the enclosure and using a Heyco fitting appropriate for your specific cord size, and able to fit in our 3/16" enclosure wall thickness. These fittings can be found at: [http://www.heyco.com/Liquid\\_Tight\\_Cordgrips/index.cfm](http://www.heyco.com/Liquid_Tight_Cordgrips/index.cfm)
  - If you are using conduit or flex-cable, we recommend drilling your holes in the bottom of the enclosure and using an appropriate fitting such as:
    - SealCon DS21AA-BK = 3/4" Liquid-Tight Conduit Fitting with DOUBLE Lock - <http://www.sealconusa.com/conduit/product/double-seal.html>
    - SealCon ST21NA-BK = 3/4" Liquid-Tight Conduit Fitting with SINGLE Lock - <http://www.sealconusa.com/conduit/product/condsttwist-npt.html>
    - McMaster Carr 7119K13 = 3/4" Liquid-Tight Conduit Fitting/Heavy-Duty - <http://www.mcmaster.com/#7119k13/=vg864m>



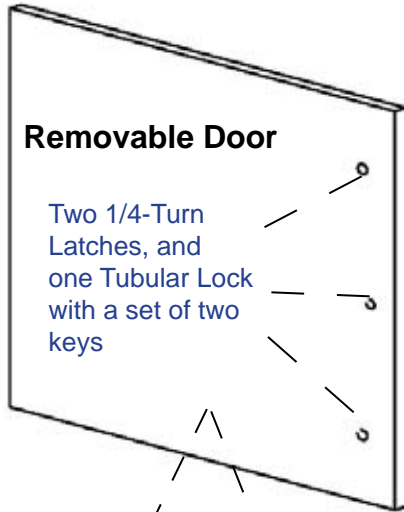
## Dimensions and Weight

- Outside dimensions *without* AC attached: 24.8"W x 26.5"H x 8.8"D
- Outside dimensions *with* AC unit attached are: 32"W x 26.5"H x 8.8"D
- Inside dimensions are: 23.9"W x 23.9"H x 7.9"D
- Internal back panel dimensions: 22"x22"
- Enclosure with back panel weighs 54 lbs
- AC unit weighs 32 lbs
- Shipping skid weighs 45 lbs

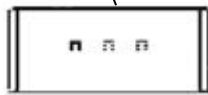
External 0.580" mounting hole dimensions are:  
 20" center-to-center from left to right and  
 25 3/8" center-to-center from top to bottom



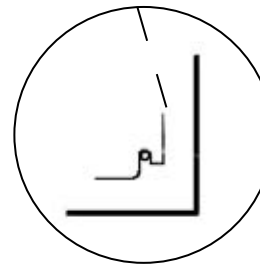
**Removable Back Panel**  
 22" x 22" sits on 4 standoffs



Literature Tray with key tabs for 3 sets of keys located on the inside of the door



BW-124ACE and BW-124ACHT with AC unit or AC & Heater unit attached on the left-hand side



Easily mount the removable back panel on the 1" standoffs welded into the back of the enclosure

Rain-Channel and bulb-seal gasket for a tight fit with the door when the two 1/4-turn latches are closed

FC, ACE and ACHT Models have holes for mounting the Fans, AC unit or AC/Heater unit (respectively) pre-cut on the side(s) of these enclosures

### Mounting options

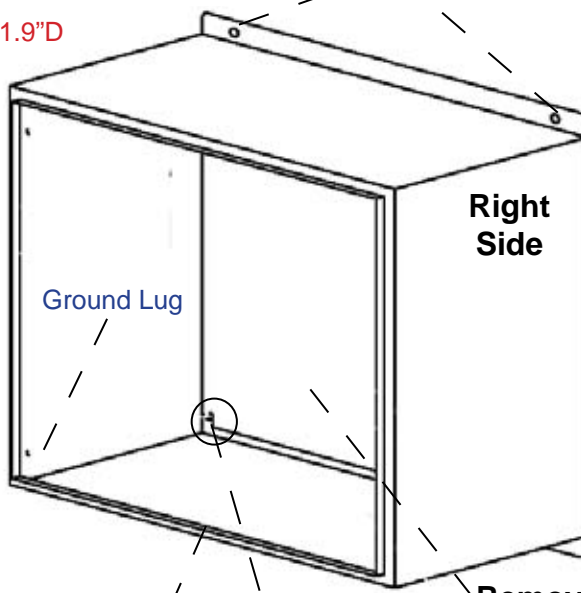
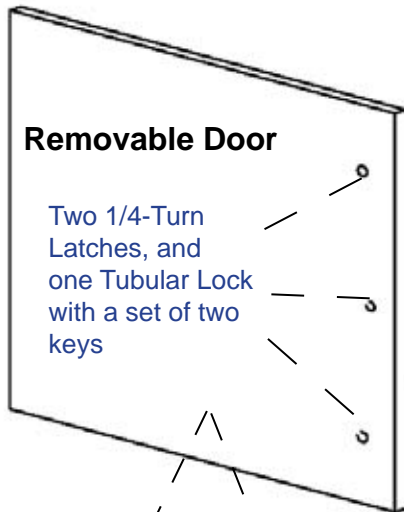
- Wall-Mount
- Free-Standing using angle iron and a concrete slab (pictured)
- Pole-Mount using angle iron



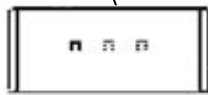
## Dimensions and Weight

- Outside dimensions *without* AC attached: 24.8"W x 26.5"H x 12.8"D
- Outside dimensions *with* AC unit attached are: 32.75"W x 26.5"H x 12.8"D
- Inside dimensions are: 23.9"W x 23.9"H x 11.9"D
- Internal back panel dimensions: 22"x22"
- Enclosure with back panel weighs 60 lbs
- AC unit weighs 60 lbs
- Shipping skid weighs 45 lbs

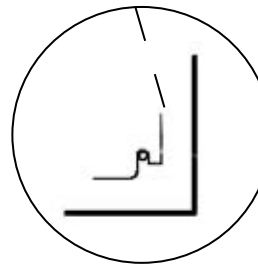
External 0.580" mounting hole dimensions are:  
 20" center-to-center from left to right and  
 25 3/8" center-to-center from top to bottom



Literature Tray with key tabs for 3 sets of keys located on the inside of the door



BW-124ACE and BW-124ACHT with AC unit or AC & Heater unit attached on the left-hand side



Easily mount the removable back panel on the 1" standoffs welded into the back of the enclosure

Rain-Channel and bulb-seal gasket for a tight fit with the door when the two 1/4-turn latches are closed

FC, ACE and ACHT Models have holes for mounting the Fans, AC unit or AC/Heater unit (respectively) pre-cut on the side(s) of these enclosures

### Mounting options

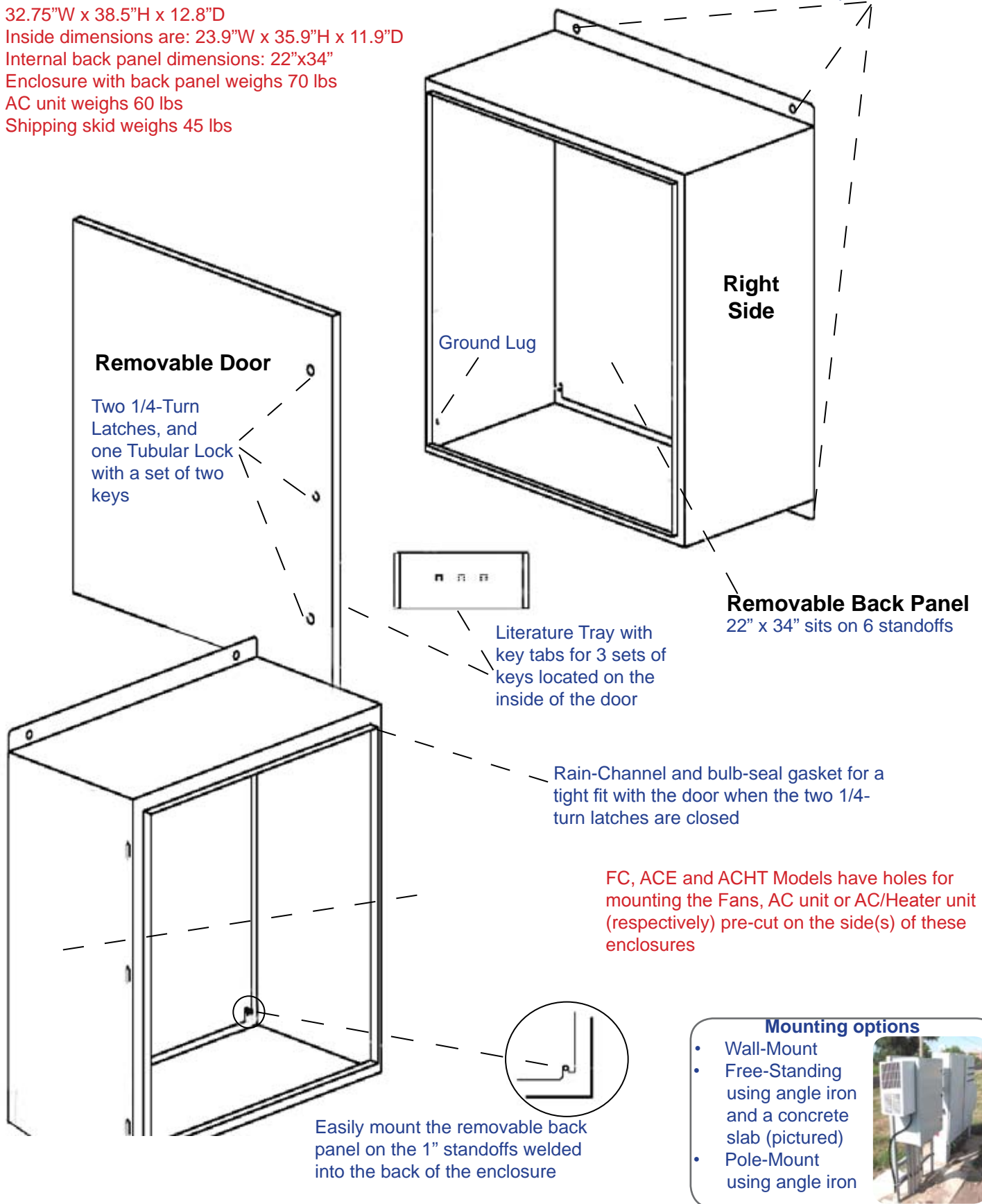
- Wall-Mount
- Free-Standing using angle iron and a concrete slab (pictured)
- Pole-Mount using angle iron



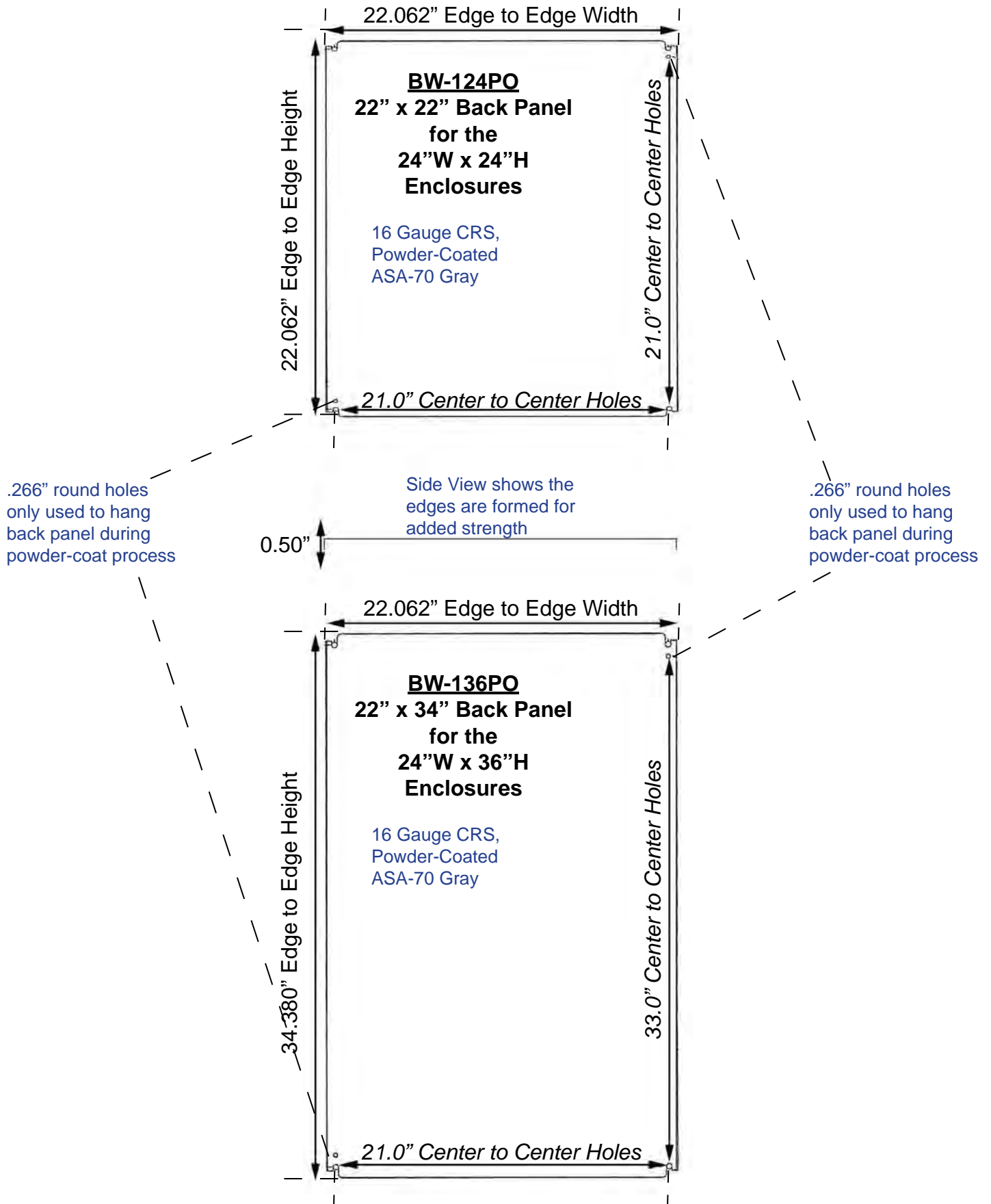
## Dimensions and Weight

- Outside dimensions *without* AC attached: 24.8"W x 38.5"H x 12.8"D
- Outside dimensions *with* AC unit attached are: 32.75"W x 38.5"H x 12.8"D
- Inside dimensions are: 23.9"W x 35.9"H x 11.9"D
- Internal back panel dimensions: 22"x34"
- Enclosure with back panel weighs 70 lbs
- AC unit weighs 60 lbs
- Shipping skid weighs 45 lbs

External 0.580" mounting hole dimensions are: 20" center-to-center from left to right and 37 3/8" center-to-center from top to bottom

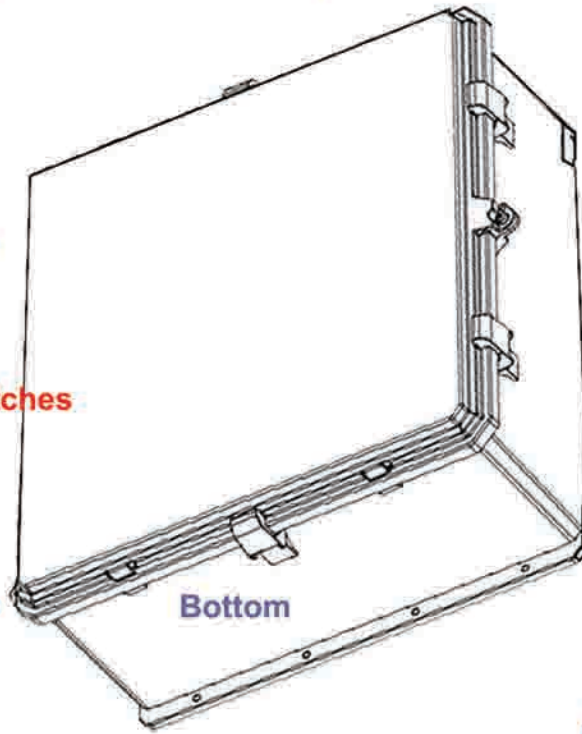


## Back Panels for 24" x 24" and 24" x 36" Enclosures



# BW-SL242412, NEMA 4X, Non-Metallic Enclosure

Hinged Side

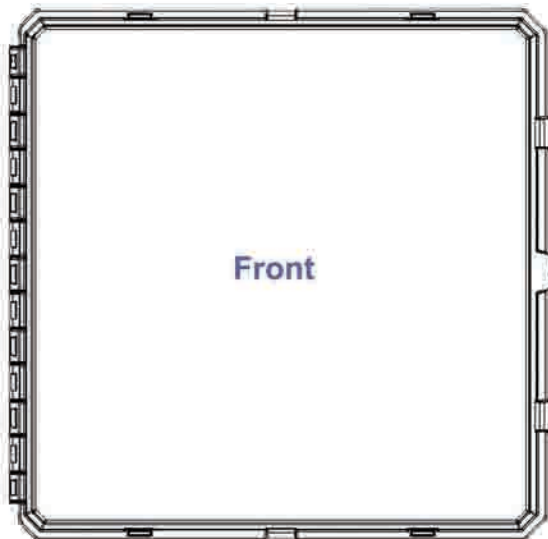


Latching side includes a pad-lock latch, and optional snap-latches which can be placed in several locations. This drawing shows two on this side one on top, and one on bottom.

**Exterior:**  
27.8" Wide including hinge & latches  
27.2" High including latches  
11.5" Deep including mounting brackets

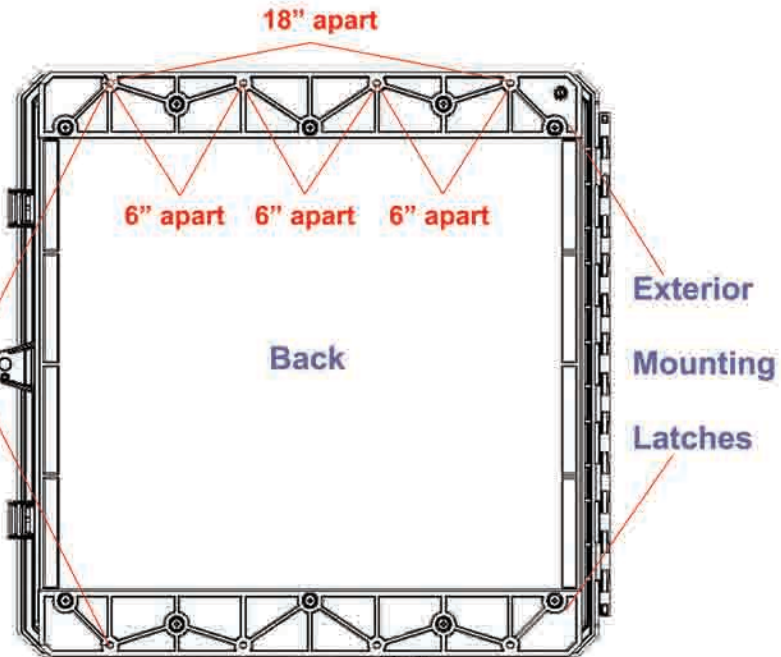
**Interior:**  
24" Wide x 24" High x 10" Deep

Bottom



Front

25.25" apart



18" apart

6" apart 6" apart 6" apart

Back

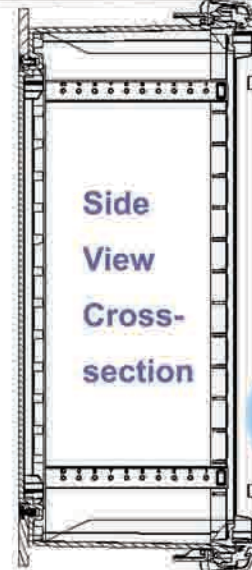
Exterior  
Mounting  
Latches



Front  
Cover  
Removed  
Inside view

Standoffs 19.25" apart  
center to center

1.5" apart



Side  
View  
Cross-  
section

**Mier**  
PRODUCTS, INC.

800-473-0213

info@mierproducts.com