

WALL - MOUNT KIT

FOR STANDARD AND TOWER DVR/CPU LOCKBOXES

Easily wall-mount your DVR and CPU Lockboxes

Mier's **NEW BW-215 Wall-Mount Kit** is designed to fit all of Mier's standard model and tower model DVR & CPU Lockboxes allowing easy wall-mount installation and protection for DVRs or CPUs. Holes in the bottom of Mier's Lockboxes allow them to be bolted directly to the BW-215 shelf. All Hardware Included!

The BW-215 easily fits the following DVR/CPU Lockboxes:

Standard DVR Lockboxes:

- **BW-200** is 20"W x 8"H x 20"D
- **BW-201** is 16"W x 5"H x 16"D
- **BW-224** is 20"W x 8"H x 24"D
- **BW-225** is 20"W x 5"H x 20"D

NEW Tower DVR/CPU Lockbox:

- **BW-240** is 8"W x 20"H x 20"D

Along with the DVR/CPU lockboxes shown here, Mier also offers Rack-Mount Lockboxes and Outdoor Temperature Controlled Lockboxes.

Call Mier or visit the website for information on our other product lines and services!



NEW!



BW-215 Wall-Mount Kit



Shown with a Standard Model Mier DVR Lockbox (sold separately)



Shown with a Tower Model Mier DVR/CPU Lockbox (sold separately)

BW-215 WALL - MOUNT KIT

FOR STANDARD AND TOWER DVR/CPU LOCKBOXES

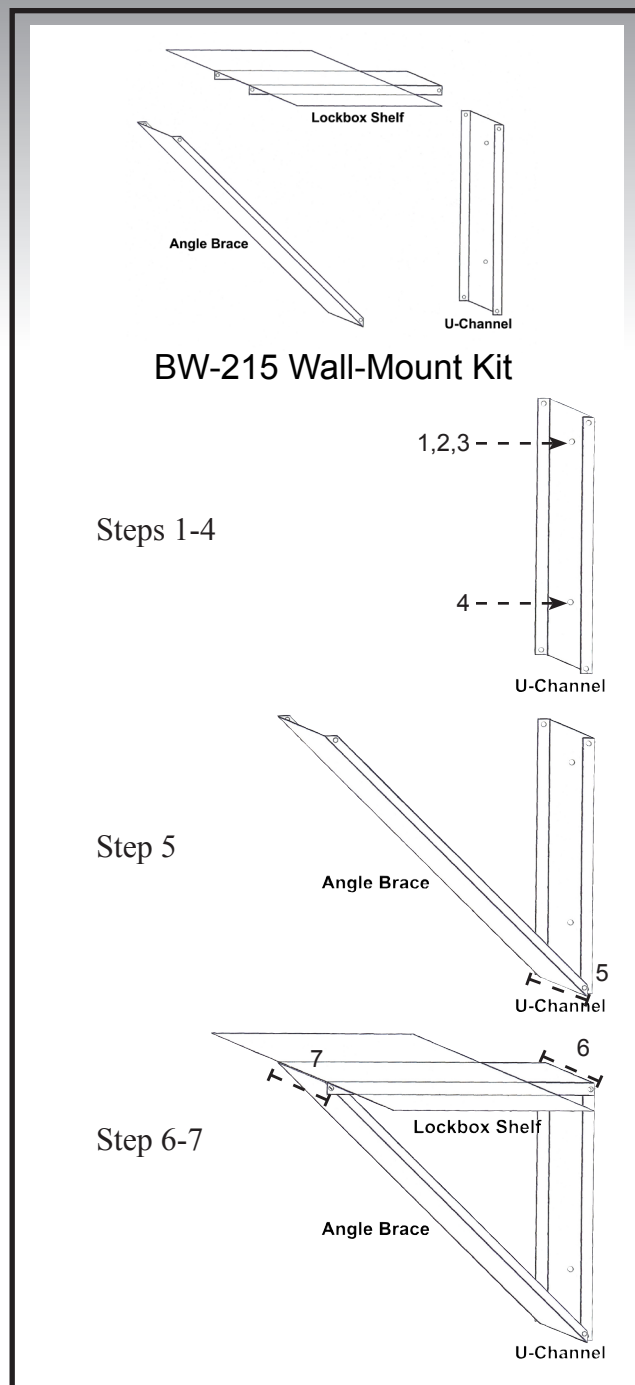
Easily wall-mount your DVR and CPU Lockboxes

BW-215 Wall-Mount Kit Installation:

1. Determine the desired location of the shelf on a wall stud, place the **U-Channel** on a the wall, then mark the top mounting hole.

CAUTION: The U-Channel must be mounted on the centerline of a wall stud OR with suitable anchors directly to brick or cement wall.

2. Drill a 3/16 pilot hole in the wall stud at the top mounting hole.
3. Use a level and carefully mount the U-Channel vertically along the stud with one 5/16 x 2" lag screw at the top mounting hole.
4. With the U-Channel vertical, drill another 3/16" pilot hole at the lower mounting hole and bolt to wall with another 5/16 x 2" lag screw. Tighten both lag screws firmly.
5. Attach the **Angle Brace** at the *bottom* of the U-Channel with one 1/4 x 20 x 3.5" bolt, flat washer, and nut.
6. Attach the **Lockbox Shelf** at the *top* of the U-Channel with one 1/4 x 20 x 3.5" bolt, flat washer, and nut.
7. Attach the front of the Angle Brace to the front of the Lockbox Shelf with one 1/4 x 20 x 3.5" bolt, flat washer and nut.
8. Tighten all hardware before bolting lockbox to shelf.



Mier
PRODUCTS, INC.

1-800-473-0213 | www.mierproducts.com

Wireless Vehicle Detection | Driveway Alarms | Drive-Up Window Detection | Buried Sensor Systems | Instrument Boxes | DVR/CPU Lockboxes
Flush-Mount Cabinets | Outdoor Enclosures | NEMA 4 Enclosures | Temperature Controlled Enclosures | Power Supply Boxes | Siren/Speaker
Cabinets | Bell Boxes | Battery Cabinets | Transformer Enclosures | Custom Fabrication | Custom Colors | Custom Screening