

TRANSFORMER COVERS

PROTECT AGAINST ACCIDENTALLY UNPLUGGING ELECTRONIC EQUIPMENT

All Mier Transformer Covers include:

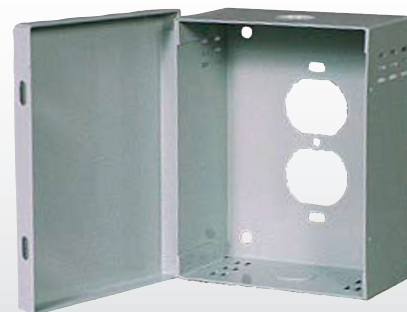
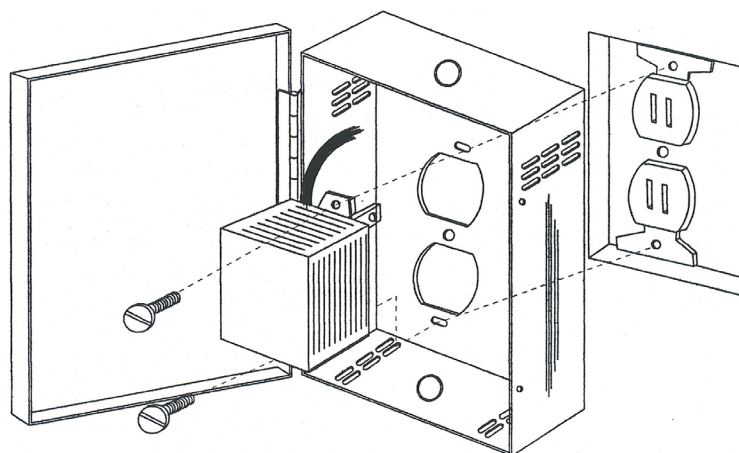
- Durable steel construction and one-piece piano hinge
- Holes for easy, quick mounting
- Powder-coat finish. Standard color is gray. However, custom colors and/or screening are available for 25 units or more.
- Bolt-down doors

BW-250G

- 4.625"W x 5.75"H x 2.5"D

BW-375G

- 4.625"W x 5.75"H x 3.75"D



If you don't see the enclosure you are looking for call or e-mail us and we'll be happy to help! Custom enclosures, colors, and/or graphic-screening is available for quantities of 25 units or more.



Driveway Alarms | Vehicle Detection & Asset Protection | Drive-Up Window Detection Systems | Indoor and Outdoor Electrical Enclosures | UL/NEMA Non-Metallic Enclosures | Indoor and Outdoor DVR/CPU Lockboxes | Indoor and Outdoor Rack Enclosures | Outdoor Temperature-Controlled Enclosures | Document Boxes | Siren/Speaker Cabinets | Bell Boxes | Structured-Wiring Flush-Mount Cabinets | Power Supply Boxes | Battery Cabinets | Transformer Covers | Custom Fabrication | Custom Powder-Coating & Painting | Custom Graphic Screening