



**Professional Solutions - Unrivalled Value**

Articulating arm holds screen 2.9" from wall and extends up to 15.4" for variable viewing angles. Smooth tilt adjustments of 15° forward and 5° back with a locking knob for a variety of viewing angles. 5° side to side roll for perfect screen positioning. Makes a secure installation quick and easy, simply hang the screen and turn the pre-assembled securing screw to lock in place. Integrated cable management for clean look.

13"-37" / 33cm-94cm

80 LB / 36 KG

■ **VESA Compatible**

Fits VESA hole patterns 75x75mm, 100x100mm, 200x100mm and 200x200mm.

■ **Extendable**

Extends from 2.9" to 15.4"

■ **Screen Size**

Fits most 13" to 37" flat panel screens weighing up to 80lb (36kg).

■ **Tilt**

Pre-tensioned tilt mechanism allows for smooth tilt adjustment of 15° forward and 5° back.

■ **Easy Installation**

Pre-assembled securing screw makes installation fast and easy.

■ **Cable Management**

Integrated cable management for clean look.

■ **Included Hardware**

Pre-sorted hardware pack for easy component selection and installation (hardware for installation to wood studs or concrete surfaces included).

**Functional Specifications**

**Depth from wall:** 2.9" (73mm)

**Swivel:** 180° (3 joints)

**Tilt:** +15°/-5°

**Mounting Surfaces:** Wood stud, concrete & cinder block (with included hardware). Metal Stud (requires accessories).

**Max Mounting Pattern:**

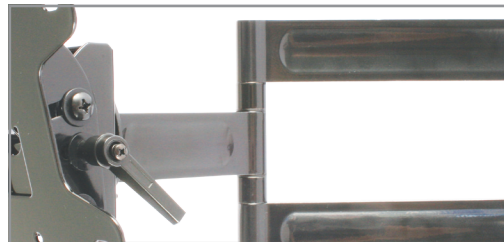
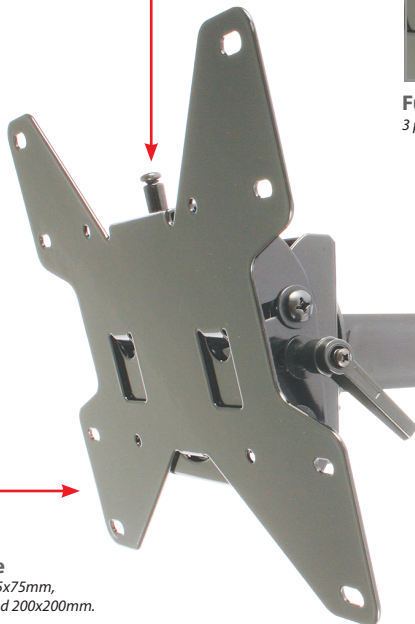
200mm (7.9") width

200mm (7.9") height

**Load Capacity:** 80 LB / 36 KG

**Warranty:** Limited 10 Years

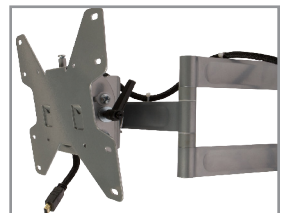
**Pre-Installed Securing Screw**  
Screen simply hooks in place. Pre-assembled securing screw makes installation fast and easy.



**Full Range of Motion**  
3 pivot joints for variable viewing angles.



**Tilt**  
Pre-tensioned tilt mechanism allows 15° forward and 5° backward tilt for optimal viewing angles.



**Cord Management**  
Integrated cord management for clutter-free installation.

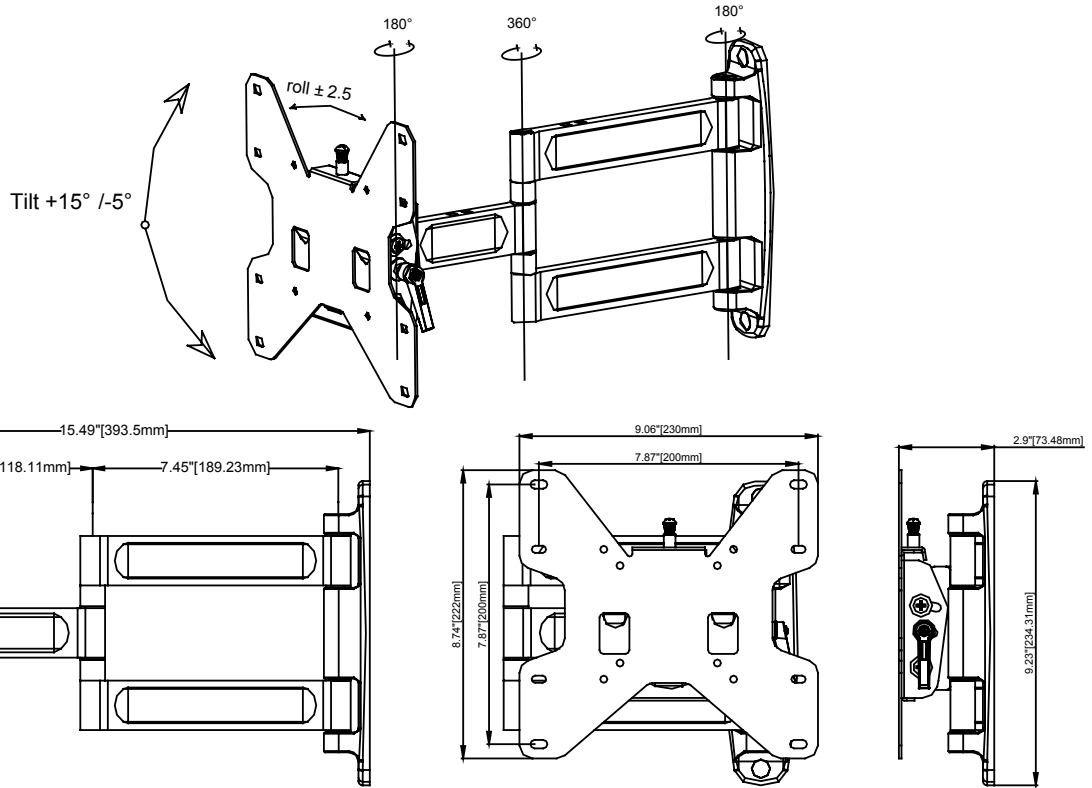
**VESA Compatible**  
Fits VESA hole patterns 75x75mm, 100x100mm, 200x100 and 200x200mm.



# Full Motion Articulating Wall Mount

For 13" to 37" (33-94cm) LCD, LED and Plasma TV's

**A37F (BLACK)**  
**A37FS (SILVER)**

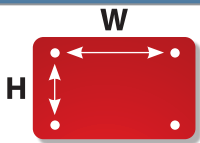


## Product Specifications

## Package Specifications

PRODUCT WEIGHT	LOAD CAPACITY	COLORS	FINISH	PACKAGE SIZE (WxHxD)	SHIP WEIGHT	UPC CODE	PACKAGE CONTENTS
5.5lb (2.5kg)	80lb (36kg)	Black Silver	Scratch resistant powder coating	11.1" x 10.2" x 4.3" (282 x 260 x 109 mm)	6.5lb (2.9kg)	A37F (Black) 0815885010439  A37FS (Silver) 0815885010446	Mount, wall and screen mounting hardware, product manual.

## Mounting Interface



**Max Mounting Pattern**  
200mm (W) x 200mm (H)

VESA	W	H	75mm	100mm	200mm	200mm
	X	X	X	X	X	X
	X	X	X	X	X	X

## Accessories

### Toggle bolts (for metal stud installation)



- HT2 - 2 Pack
- HT4 - 4 Pack
- HT6 - 6 Pack

Use when installing into metal stud.

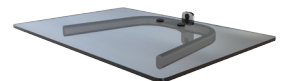
### On-wall Cable Management



- WA1 - 1 Shelf
- WA2 - 2 Shelves
- WA3 - 3 Shelves

Component shelf and on-wall cable routing system. Hides cables inside internal channels for a clean look.

### Shelving



WF1 - 1 Shelf

Single-stud mountable component shelf.

Visit [crimsonav.com](http://crimsonav.com) to see the full line of vidamounts LCD/plasma, projector and TV/monitor mounts. © 2010 Crimson AV LLC. All rights reserved.