





**Professional Solutions - Unrivalled Value**

Fixed position mount for 13" to 37" flat panel screens. Makes a secure installation quick and easy, simply hang the screen and turn the pre-assembled securing screw to lock in place. Low profile design places screen only 0.75" from the wall.

 13"-37" / 33cm-94cm

 80 LB / 36 KG

- **Slim Design**  
*Slim design holds screen only 0.75" (19mm) from wall.*
- **Screen Size**  
*Fits most 13" to 37" flat panel screens weighing up to 80lb (36kg).*
- **Easy Installation**  
*Pre-assembled securing screw makes installation fast and easy.*
- **Vesa Compatible**  
*Fits VESA hole patterns 75x75mm, 100x100mm, 200x100mm, 200x200mm.*
- **Included Hardware**  
*Pre-sorted hardware pack for easy component selection and installation (hardware for installation to wood studs or concrete surfaces included).*
- **Durable**  
*Durable high-grade cold rolled steel construction with scratch resistant epoxy powder coat finish.*

**Functional Specifications**

**Depth from wall:** 0.75" (19mm)

**Mounting Surfaces:**

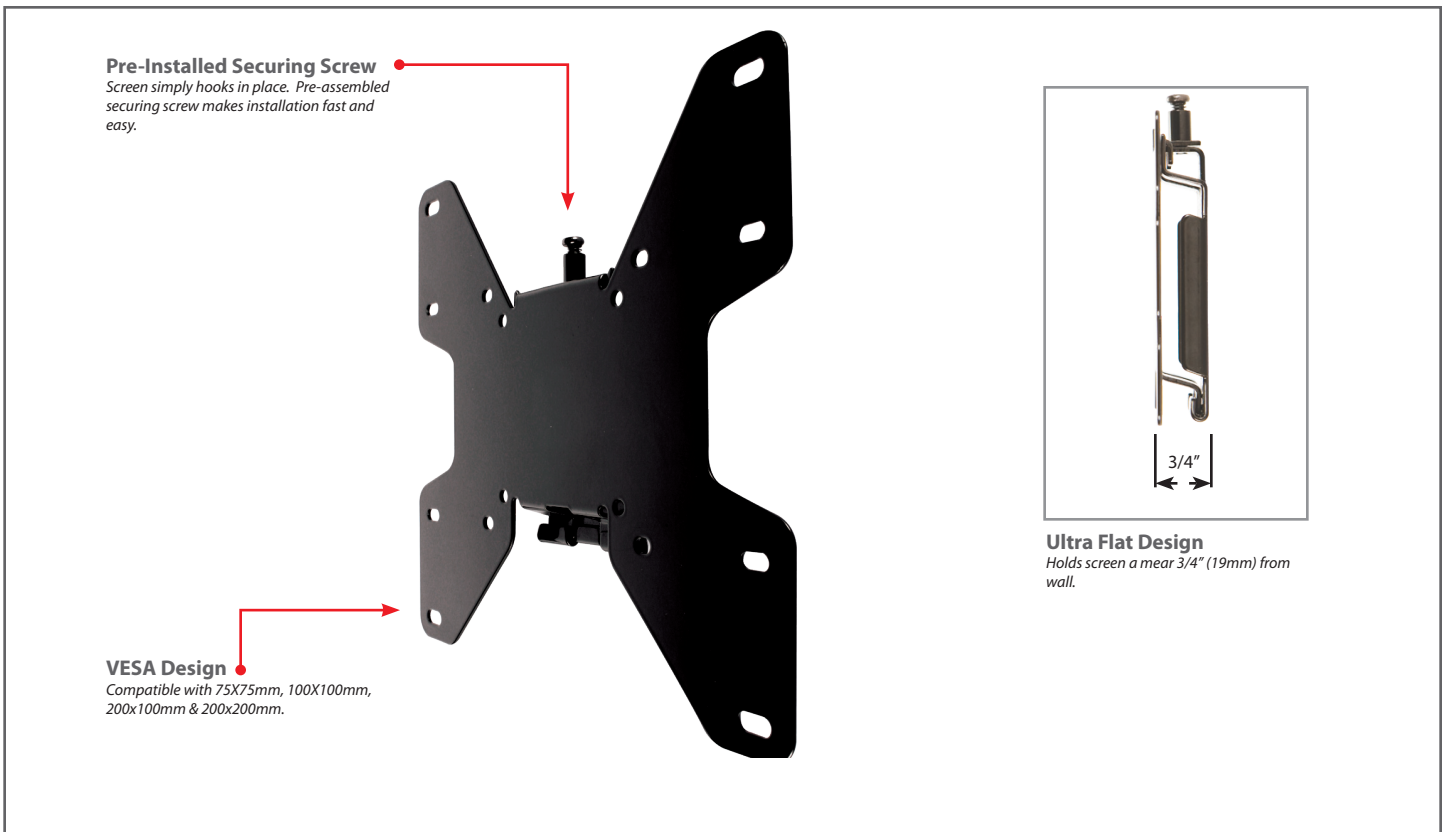
Wood stud, concrete & cinder block.  
Metal Stud (requires accessory).

**Max Mounting Pattern:**

200mm (7.9") width  
200mm (7.9") height

**Load Capacity:** 80 LB / 36 KG

**Warranty:** Limited 10 Years

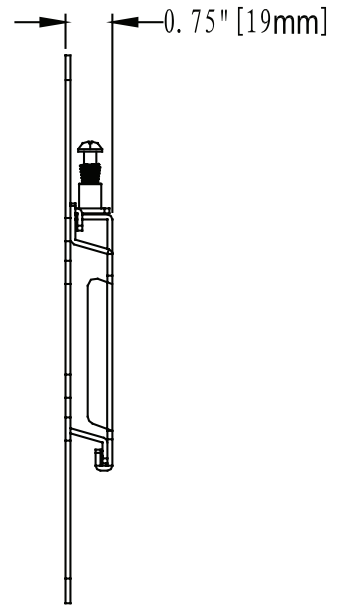
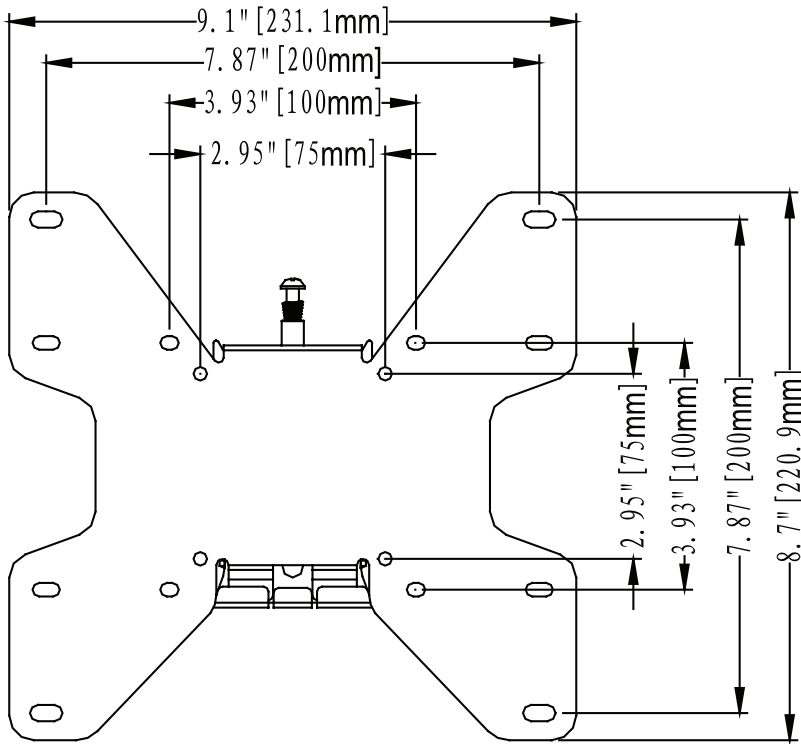




# Flat Panel Wall Mount

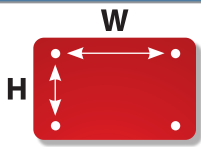
For 13" to 37" (33-94cm) LCD and Plasma TV's

**F37 (BLACK)**  
**F37S (SILVER)**



Product Specifications				Package Specifications			
PRODUCT WEIGHT	LOAD CAPACITY	COLORS	FINISH	PACKAGE SIZE (WxHxD)	SHIP WEIGHT	UPC CODE	PACKAGE CONTENTS
1.3lb (0.6kg)	80lb (36kg)	Black Silver	Scratch resistant powder coating	10.8" x 9.7" x 1.1" (285 x 245 x 29 mm)	2.1lb (1kg)	F37 (Black) 0815885010057  F37S (Silver) 0815885010064	Mount, wall and screen mounting hardware, product manual.

## Mounting Interface



**Max Mounting Pattern**  
200mm (W) x 200mm (H)

VESA	W	H	75mm	100mm	200mm	200mm
	X	X	X	X	X	X
	X	X	X	X	X	X

## Accessories

Toggle bolts (for metal stud installation)	On-wall Cable Management	Shelving
<p>HT2 - 2 Pack HT4 - 4 Pack HT6 - 6 Pack</p> <p>Use when installing into metal stud.</p>	<p>WA1 - 1 Shelf WA2 - 2 Shelves WA3 - 3 Shelves</p> <p>Component shelf and on-wall cable routing system. Hides cables inside internal channels for a clean look.</p>	<p>WF1 - 1 Shelf</p> <p>Single-stud mountable component shelf.</p>

Visit [crimsonav.com](http://crimsonav.com) to see the full line of vidamounts LCD/plasma, projector and TV/monitor mounts. © 2010 Crimson AV LLC. All rights reserved.