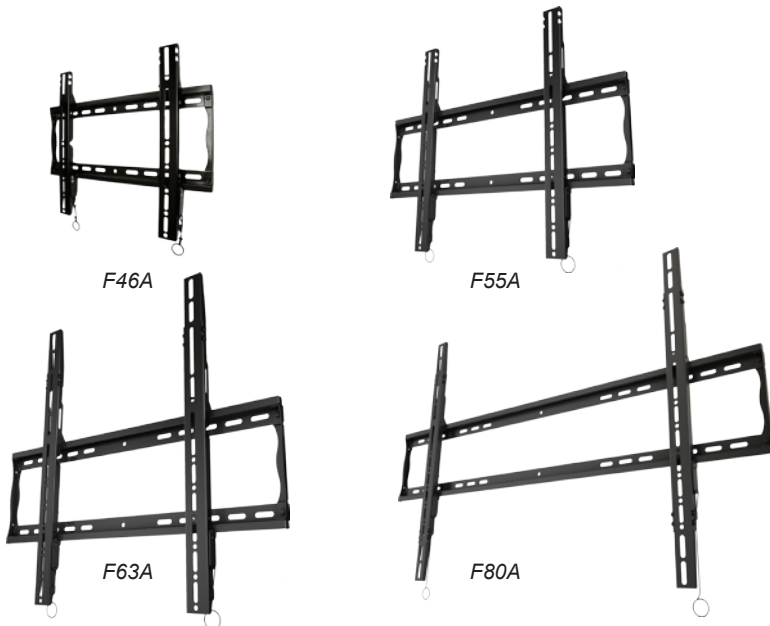




**Flat**

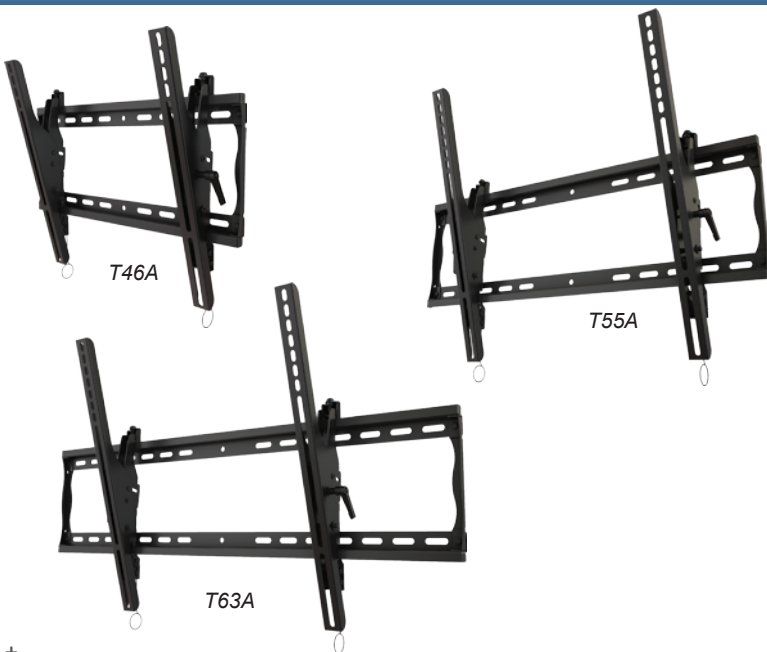


Heavy duty leveling mechanism

Click in place installation  
Includes optional locking bolt

Model	TV Sizes	Max Mounting Pattern (WxH)	Load Rating
F46A	26"-46"	452x401mm	150lb
F55A	32"-55"+	660x501mm	200lb
F63A	37"-63"+	838x601mm	200lb
F80A	46"-65"+	1096x601mm	200lb

**Tilt**



**■ Installation**

Quick, easy, and efficient installation. Monitor clicks in place when installed. No need to turn screws that are difficult to see and reach, unless you feel the need for additional security, in which case securing screws are there as well. Post-installation leveling feature allows fine-tuning when walls are not perfectly straight.

**■ Installation Surfaces**

Double or triple wood stud structures, depending on model. Also mounts to structural concrete and cinder block surfaces. For metal stud installation, use Crimson HT toggle bolt hardware.

**■ Tilt**

Pre-tensioned tilt mechanism with ratcheting handle benefits bottom-heavy displays.

**■ VESA Compatible Universal Design**

Series covers all VESA patterns to 1100x700mm. Maximum universal mounting pattern 1105x760mm.

**■ Construction**

Fabricated from high-grade cold rolled steel with durable epoxy powder coat finish. Includes a complete array of high-grade fasteners, in a pre-sorted hardware pack for easy selection. UL Listed.

<sup>+</sup> Note: the plus designation indicates that the mount will work with larger TV's than specified, as long as the load rating and mounting pattern fit within the listed range.

Model	TV Sizes	Max Mounting Pattern (WxH)	Load Rating
T46A	26"-46"	452x401mm	150lb
T55A	32"-55"+	660x501mm	200lb
T63A	37"-63"+	838x501mm	200lb

