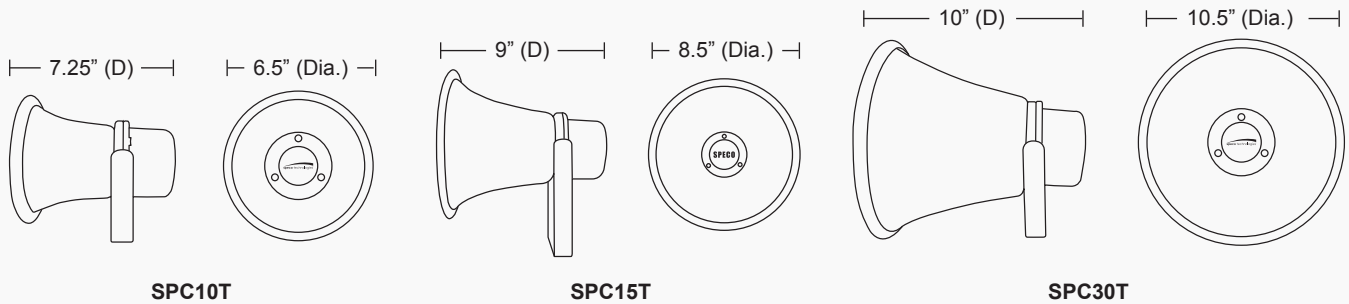


## Contractor Series 70/25V Weather Resistant P.A. Horn Speakers

- SPC10T** 6.5" Weather-Resistant Aluminum P.A. Horn - 70/25V
- SPC15T** 8.5" Weather-Resistant Aluminum P.A. Horn - 70/25V
- SPC30T** 10.5" Weather-Resistant Aluminum P.A. Horn - 70/25V

### Features

- Weather-resistant, aluminum construction
- Includes mounting bracket
- Rubber bell protector
- Selectable 70/25V transformer dial
- 2 year warranty



### Specifications

|                                | <b>SPC10T</b>   | <b>SPC15T</b>   | <b>SPC30T</b>   |
|--------------------------------|---|---|---|
| RMS Power .....                | 10W   | 15W   | 30W   |
| Max. Power.....                | 20W   | 30W   | 60W   |
| Transformer Type.....          | 70/25V  | 70/25V  | 70/25V  |
| Transformer Power Taps .....   | 70V: 10W, 5W, 3W, 1W<br>25V: 10W, 5W, 1.3W, 0.6W,<br>0.4W, 0.1W | 70V: 15W, 10W, 5W, 3W, 1W<br>25V: 15W, 10W, 3.7W, 1.9W,<br>1.3W, 0.6W, 0.4W, 0.1W | 70V: 30W, 15W, 10W, 5W, 3W, 1W<br>25V: 30W, 15W, 10W, 3.7W,<br>1.9W, 1.3W, 0.6W, 0.4W, 0.1W |
| Termination Type .....         | Wire strip  | Wire strip  | Wire strip  |
| Sensitivity (1W/1M).....       | 103dB   | 105dB   | 107dB   |
| Maximum SPL (Pmax/1m).....     | 113dB   | 117dB   | 122dB   |
| Driver Impedance .....         | 8 Ohms  | 8 Ohms  | 8 Ohms  |
| Magnet.....                    | 4.1 oz. ferrite   | 4.9 oz. ferrite   | 5.3 oz. ferrite   |
| Frequency Response Range ..... | 500Hz ~ 15kHz   | 450Hz ~ 15kHz   | 350Hz ~ 15kHz   |
| Dispersion@100Hz .....         | 65° conical   | 75° conical   | 86° conical   |
| Speaker Dimensions .....       | 6.5" (Dia.) x 7.25" (D)   | 8.5" (Dia.) x 9" (D)  | 10.5" (Dia.) x 10" (D)  |
| Weight .....                   | 2.6 lbs.  | 3.2 lbs.  | 3.9 lbs.  |
| Material.....                  | Aluminum  | Aluminum  | Aluminum  |
| Color.....                     | Grey  | Grey  | Grey  |

Speco Technologies is constantly developing and improving products.  
We reserve the right to modify product design and specifications without notice  
and without incurring any obligation. Spec Rev. 1/26/15