



FireworX

Conventional 24VDC Fire Alarm Control Panels & Systems



Overview

The FireworX fire alarm family consists of 3, 5 and 10 zone conventional fire alarm control panels (FACP), an optional integrated upload/download DACT (dialer), intelligent/analog type detector features, serial annunciator modules, and serial remote relay modules. All FACP's and components are Listed to the 9th edition of the ANSI/UL 864 standard and CSFM/MEA approved.

FireworX incorporates features designed to simplify installation, operation and maintenance. These include front panel programming, one person walk testing, and selectable IDC and NAC types. In addition, when used with FireworX *CleanMe*®-compatible smoke detectors, FireworX provides intelligent/analog type features such as remote maintenance alert and automatic drift compensation that significantly reduce the chance of a false alarm and simplify maintenance calls.

FireworX panels are powerful enough to meet the demands of today's life safety installations while leaving plenty of room to grow in the future. They support Class A operation by combining pairs of on-board IDCs or NACs to provide the necessary Class A circuits. For example, the FX-10RD comes factory set to support 10 Class B IDCs and 4 NACs. But it can be field-configured to provide 5 Class A IDCs (no Class B IDC's), and 2 Class A NACs – or any other combination of circuits that fall within the circuit-pairing parameters.

| | FX-10RD | FX-5RD | FX-3RD |
|-----------------|----------|----------|---------------|
| Class B IDCs | Up to 10 | Up to 5 | 3 |
| Class A IDCs | Up to 5 | Up to 2 | Not supported |
| Class B NACs | Up to 4 | Up to 2 | 2 |
| Class A NACs | Up to 2 | 1 | Not supported |
| NAC Power | 7.0 amps | 3.5 amps | 3.5 amps |
| Auxiliary power | 0.5 amps | 0.5 amps | 0.5amps |

Notes: Class A operation will reduce the number of available Class B IDCs and/or NACs, depending on the panel configuration. See Specifications on page 5 for details.

Standard Features

- Available in 3, 5, and 10 zone (IDC) models
- *CleanMe*® provides remote annunciation if a detector drifts out of UL limits, reducing the chance of a false alarm
- Automatic drift compensation in select FireworX conventional smoke detectors extends dust life
- 7.0 amps standard on 10 zone model reduces power booster costs
- Listed to ANSI/UL 864 9th Edition
- Models with fully integrated upload/download DACT enables PC programming and recurring revenue.
- Zone or NAC pairs convertible to single Class A circuits (10 and 5 IDC panels only)
- Combination Waterflow and Supervisory IDCs
- NACs programmable by zone and individually selectable for FireworX notification appliances, continuous, temporal outputs, or coded
- Front panel programmable simplifies installation and servicing
- Precision synchronization with FireworX notification appliances and optional audible silence over two wires
- On-board relays for Alarm, Supervisory and Trouble
- Optional serial bus relay modules are programmable for common or zone activation
- Optional serial bus remote annunciator family
- One person walk-test (audible or silent)
- Optional City Tie and Reverse Polarity Modules
- Trim ring available for semi-flush mounting

Application

FireworX provides smoke and fire detection, occupant notification and off-premises signaling for small- to medium-sized buildings.

Each IDC can be configured for either Class B or Class A operation and one of eight operating modes:

- Alarm –with or without smoke detector verification including discrimination of contact devices
- Waterflow Alarm;
- Waterflow Alarm/Supervisory (Combination IDC);
- Supervisory (Latching/non-latching);
- Monitor (non alarm or supervisory)
- Signal Silence
- Drill
- Cross zoning

NACs may also be configured for either Class B or Class A operation. Additionally, NACs can be individually configured for one of six outputs. These are Genesis, Genesis (A/V silenceable), Continuous, Temporal, Coded, and City Tie. The Genesis selection allows independent horn control over two wires and provides precision synchronization for FireworX's family of notification appliances, all without the need for a signal master accessory.

When configured for FireworX notification appliances, FireworX's Alarm Silence function will silence connected FireworX audible appliances but FireworX strobes will remain active until the panel is reset. When Genesis Mode is selected, both the horns and strobes on compatible notification appliances will be synchronized across all NACs.

Note: Zones may be selected for either latching or non-latching operation. Always check with your AHJ regarding approval of silencing audible while leaving strobes flashing.

Detectors with intelligent features at a conventional price

When combined with FireworX *CleanMe*[®]-compatible smoke detectors, FireworX provides intelligent features at a conventional price. If a *CleanMe*[®] detector drifts out of the UL sensitivity range, FireworX's patented remote maintenance reporting sends an alert to the FireworX control panel. This feature reduces the chance of a false alarm and simplifies service calls. In addition, *CleanMe*[®]-compatible smoke detectors have built-in drift compensation that extends the time between cleanings. If cleaning is ever necessary, it is literally a snap with FireworX's exclusive replaceable optical chamber. Model numbers include FX7-2 and FX7-2T. For a complete list of *CleanMe*[®] compatible smoke detectors, visit www.fireworx.edwardsfire.com.



Panel LED Display

The following system LEDs display the panel's status:

- *Alarm* – panel is in the alarm state;
- *Trouble* – panel is in the trouble state;
- *Supervisory* – panel is in the supervisory state;
- *Power* – indicates the status of the AC power source;
- *Disable* – indicates when any IDC, NAC, relay or the DACT is disabled;
- *Annunciator Trouble* – indicates trouble on the remote annunciator bus;
- *Battery Trouble* – indicates battery or charging problems;
- *Ground Fault* – indicates a short between any panel circuit and ground;
- *Walk Test* – indicates that one or more IDCs are in the walk test mode;
- *Alarms Silenced* – indicates that the panel is in the alarm state with one or more NACs silenced.
- *Waterflow* – indicates that one or more circuits have detected an active waterflow switch.
- *Service Detector* – indicates the presence of a dirty detector with *CleanMe*[®] compatible ESL smoke detectors.
- *Remote Disconnect* – indicates off site communication has been disabled.

Each IDC has a disable switch and three LEDs:

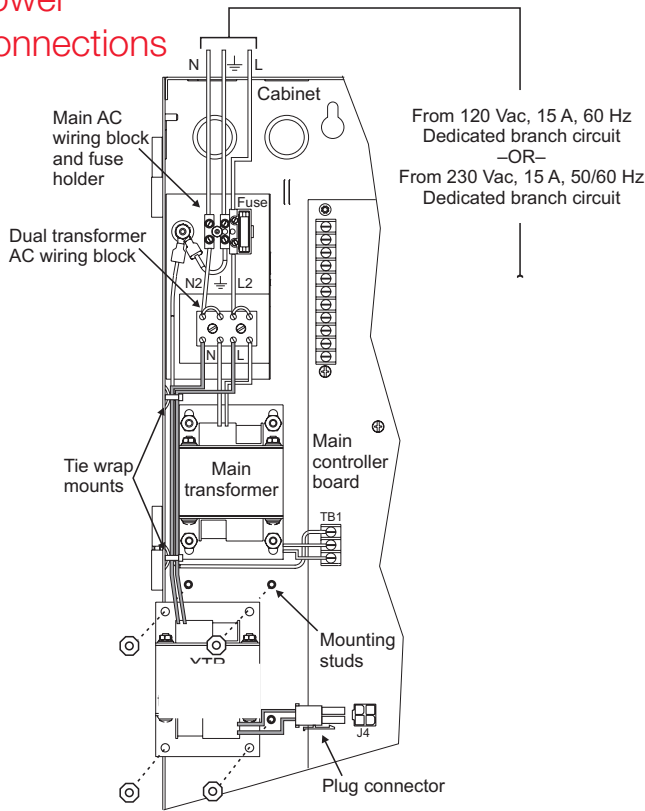
- Alarm – *red* – indicates that the IDC is in the alarm state;
- Trouble – *yellow* – indicates that the IDC is in the trouble state or is disabled (when flashing);
- Supervisory/Monitor – *yellow* – indicates that the IDC is in the supervisory state or the monitor state (when flashing).

Each NAC also has a disable switch and a trouble/disable LED.

Status indication with the DACT/Dialer installed

The optional upload/download dialer's LCD display provides two lines x 16 characters of text. For programming, the top line displays the programming step and the lower line displays the selected option. All system events are displayed on the LCD with custom zone messages. During normal operation, the LCD will display any off-normal condition present in the panel.

Power Connections



Options

Off-premise communication

A fully integrated FireworX upload/download dialer is available for reporting events to a monitoring facility. The DACT also supports uploading or downloading of system configuration, status and event history. The DACT is programmable for either single or dual line operation. It also supports split and dual reporting for two digital alarm receivers.

The DACT brings additional features to the panel including a 32-character alphanumeric LCD display, local or remote PC programming and an event history log.

Remote Annunciators and Relays

The serial bus standard on all FireworX models is another installation time-saver. This circuit allows the connection of Remote System Indicators (FSRSI), Remote Zone Indicators (FSRZI-A, FSRZI-SA) and Remote Relay Modules (FSRRM24) over a four-wire (data and power) circuit. Annunciator and relay modules can be installed up to 1,000 feet from the panel on 18-gauge wire.

Modules are also available for City Tie (CTM) and Reverse Polarity (RPM) connections.

Upload/Download DACT/Dialer



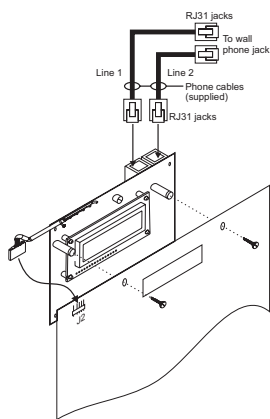
The DACT/Dialer installs behind the front panel display.

The built-in DACT/Dialer is a multifunction module that provides communications, modem capability, and LCD display functions. Its primary function is as a Digital Alarm Communicator Transmitter (DACT). As a DACT, it transmits event messages to a Digital Alarm Communicator Receiver (DACR) at a monitoring facility. The monitoring facility then notifies the fire department and other responsible parties of the event. Programmable options include split or dual reporting to two DACRs.

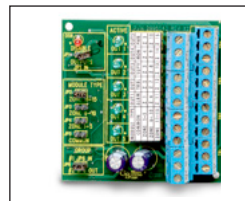
The DACT module can also be used as a modem to connect the panel to both local and remote computers for uploading and downloading of configuration data (programming), panel status and event history. For security, the modem can be configured to accept programming on incoming calls or it can be required to call a preprogrammed number before accepting downloads and sending uploads.

The DACT module can be configured to work as all of the above, or as only an LCD display or LCD display and modem.

Note: All panel versions are available with factory installed DACT. See order table for ordering information.



Remote Relay Module



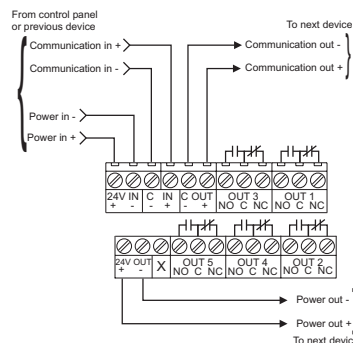
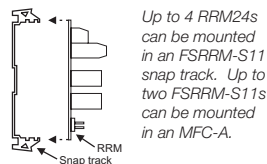
The Remote Relay Module mounts on a plastic track inside an MFC-A cabinet.

The Remote Relay Module (FSRRM24) is one feature of the system that sets FireworX apart from other panels in its class. This module has five Form C relays rated at 1 amp each. It can be configured to function in either a zone relay mode or a common system mode.

When configured in the zone relay mode, relays energize when the associated IDC is active. The module can be configured for activation by IDCs 1 through 5 or IDCs 6 through 10. One relay is automatically associated with each IDC.

When configured in the common system mode, relays energize or de-energize when the panel changes state. One relay is available for each of the following functions: Alarm, Supervisory, Trouble, Power Loss, Monitor.

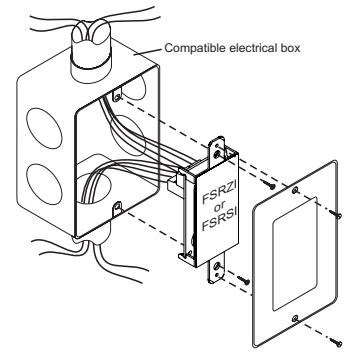
The FSRRM24 mounts on a plastic snap track and can be installed in an MFC-A or other listed fire alarm enclosure. The panel will support two RRM's of each configuration for a total of six on the 10-zone panel.



Remote Annunciators



The FireworX family has several remote annunciation options. The serial remote annunciator bus can be run up to 1000 feet (305 m) on untwisted non-shielded 18-gauge cable. Several annunciator models round out the family to provide a range of features and functions. As many as three annunciator modules may be mounted in a standard electrical box, sharing an attractive trim plate that blends with any decor.

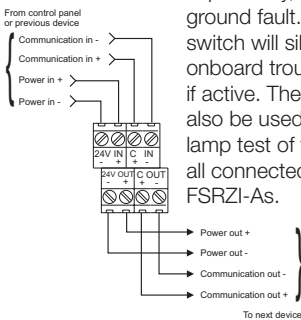


The FSRSI can be installed alone or with one or more FSRZI-As. The FSRSI and FSRZI-A require trim plates (ordered separately). These are available in one, two or three gang models. Each panel will support two FSRSIs.



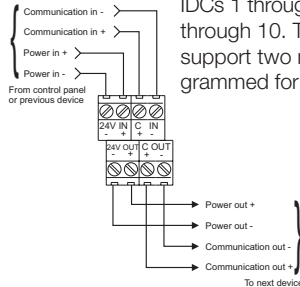
Remote System Indicator (FSRSI)

The FSRSI is ideal for common system annunciation. It includes five LEDs and a local silence/lamp test switch. The LEDs indicate power status, alarm, supervisory, trouble and ground fault. The silence switch will silence the onboard trouble sounder if active. The switch can also be used to initiate a lamp test of the LEDs on all connected FSRSIs and FSRZI-As.



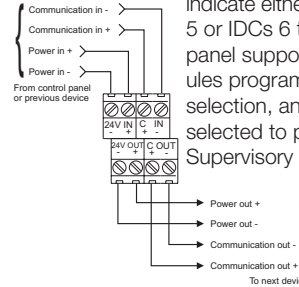
Remote Zone Indicator (FSRZI-A)

The FSRZI-A is used to indicate zones in the alarm state. It contains five red LEDs. Depending on the jumper setting selected, the LEDs will indicate either IDCs 1 through 5 or IDCs 6 through 10. The panel can support two modules programmed for each selection.



Remote Zone Indicator (FSRZI-SA)

The FSRZI-SA is used to indicate zones in the alarm or supervisory state. It contains five red and yellow LEDs. Depending on the jumper setting selected, the LEDs will indicate either IDCs 1 through 5 or IDCs 6 through 10. The panel supports two modules programmed for each selection, and can be jumper selected to provide Alarm or Supervisory indications



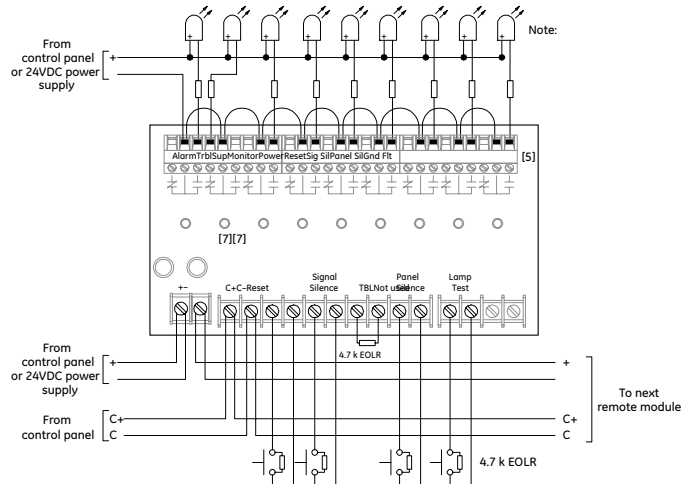
FSRA10, FSRA10C Remote LED annunciators

The FSRA10 is a remote annunciator with capacity for up to ten zones. It includes ten bi-color LEDs (red/yellow) for indicating active zones, and ten yellow LEDs for indicating zone troubles. The (C) option adds common control switches. Both versions mount to standard North American 4-inch square electrical boxes. A surface box is also available.

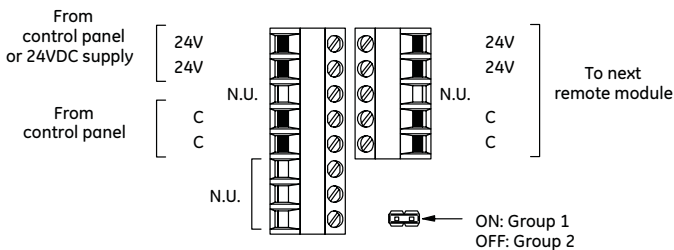


FSUIM Graphic Driver/Interface

The FSUIM is a universal interface module that can be used by FireworX to drive graphic annunciators. It also allows FireworX control panels to control, or be controlled by, other control panels. The FSUIM provides five supervised switch inputs and nine dry contact relay outputs. Nine LEDs provide visual confirmation when each relay is energized. The FSUIM is shipped with a plastic snap track for mounting in an MFC-A cabinet or other listed fire alarm enclosure.



FSRA10, FSRA10C Wiring



Remote Annunciator Specifications

| General | | |
|-----------------------------|--|--|
| Agency Listings | UL864 (53000), ULC-S527, CSFM | |
| Remote Annunciators | FSRSI Remote System Indicator | FSRZI-A/FSRZI-SA Remote Zone Indicator |
| Maximum per System | All panels: 2 | 10 zone panel: 4 3 or 5 zone panel: 2 |
| Current Requirements | Standby: 17 mA Alarm: 56 mA | Standby: 8 mA Alarm: 76 mA |
| Voltage Range | Minimum: 18.8 Vdc; Maximum: 27.3 Vdc | |
| Maximum Circuit Capacitance | 0.03 µF | |
| Maximum Circuit Resistance | 13 Ohms | |
| Wire Size | 18 - 12 AWG (0.75 mm ² - 2.5 mm ²) | |
| Mounting | ANSI/NEMA OS1-1996 1-3 gang electrical box | |
| Operating Environment | Temperature: 32 - 120° F (0 - 49° C); Humidity: 93% RH, non-condensing | |

| Remote Relay Module – FSRRM24 | Configured for Zone Mode | Configured for Common Mode |
|-------------------------------|---|---------------------------------|
| Maximum per system | 10 zone panel: 4; 3 or 5 zone panel: 2 | All panels: 2 |
| Current Requirements | Standby: 10 mA; Alarm: 70 mA | Standby: 26 mA; Alarm: 70 mA |
| Voltage Range | Minimum: 18.8 Vdc; Maximum: 27.3 Vdc | |
| Contact Rating | 1 A @ 30 Vdc | |
| Maximum Circuit Capacitance | 0.03 µF | |
| Maximum Circuit Resistance | 13 Ohms | |
| Wire Size | 18 - 12 AWG (0.75 mm ² - 2.5 mm ²) | |
| Mounting | Single FSRRM24 mounts in plastic track (included) or up to four FSRRM24s in an FSRRM-S11 11" track ordered separately. FSRRM24s should be installed in an MFC-A or other listed fire alarm enclosure. | |
| Operating Environment | Temperature: 32 - 120° F (0 - 49° C); Humidity: 93% RH, non-condensing | |
| Dimensions | 2-3/4" W x 3-3/8" H x 1-1/2" D (65.9 mm W x 85.7 mm H x 38.1 mm D) | |

| F-Series Remote Annunciators | FSRA10 | FSRA10C |
|------------------------------|--|---------|
| Common Controls | No | Yes |
| Compatibility | 10-Zone Panels Only. | |
| Dimensions | 5-5/8" x 8½" x 1 ½" in (14.3 cm x 21.4 cm x 3.8 cm) | |
| Mounting | North American 4-inch square electrical box or listed enclosure | |
| Power Wiring | 18 to 12 AWG (0.75 to 2.50 sq mm) | |
| Data Wiring | 18 to 12 AWG (0.75 to 2.50 sq mm) twisted pair (6 twists per foot minimum) | |
| Operating voltage | 18.8 to 27.3 Vdc Supply must be UL/ULC listed for fire protective signaling systems. Do not use FACP accessory power outputs that are interrupted when the panel is reset. | |
| Standby current | 17 mA | |
| Alarm current | 98 mA | |
| Operating environment | Temperature: 32 to 120 °F (0 to 49 °C); Humidity: 0 to 93% RH, noncondensing at 90 °F (32 °C) | |

| FSUIM Universal Input Module | |
|------------------------------|---|
| Mounting | MFC-A cabinet or listed fire alarm enclosure |
| Wire size | 12 to 18 AWG (0.75 to 2.5 sq mm) |
| Operating voltage | 21.2 to 27.3 Vdc |
| Circuit capacitance | 0.03 µF, max. |
| Circuit resistance | 13 ohms, max. |
| Switch inputs | Quantity: 5 End-of-line resistor: 4.7 k ohms ½ W |
| Relay outputs | Quantity: 9 Type: Common Style: Form C |
| Contact rating | 30 Vdc at 1 A (resistive load) |
| Standby Current | 53 mA |
| Alarm Current | 114 mA |
| Operating environment | Temperature: 0 to 49 °C (32 to 120 °F); Humidity: 0 to 93% RH, noncondensing at 32 °C (90 °F) |

Control Panel Specifications

| Control Panels | | FX-10RD | | | | | | FX-5RD | | | FX-3RD | |
|---|--------------------|--|---|---|---|---|---|-------------------------------------|---|---|---------------------------------|--|
| Initiating Device Circuits – IDCs (Available combinations shown at right) | Class B | 10 | 8 | 6 | 4 | 2 | 0 | 5 | 3 | 1 | Three Class B IDCs | |
| | Class A | 0 | 1 | 2 | 3 | 4 | 5 | 0 | 1 | 2 | | |
| Notification Appliance Circuits – NACs (Available combinations shown at right) | Class B | 4 | 2 | 2 | | 0 | | 2 | 0 | | Two Class B NACs | |
| | Class A | 0 | 1 | 1 | | 2 | | 0 | 1 | | | |
| Power Supply | | 7.5 amps total | | | | | | 4.25 amps total | | | 4.25 amps total | |
| NAC Voltage Rating | | | | | | | | 24 V _{fwr} | | | | |
| Maximum NAC current | | 2.0 amps each, 7.0 amps total | | | | | | 2.0 amps each 3.5 amps total | | | 2.0 amps each 3.5 amps total | |
| AC Input | 120 Vac 60 Hz... | 2.2 amps | | | | | | 1.25 amps | | | 1.2 amps | |
| | 230 Vac 50/60Hz... | 1.1 amps | | | | | | 0.6 amps | | | 0.6 amps | |
| Base Panel Current Draw | Standby... | 128 mA | | | | | | 104 mA | | | 96 mA | |
| Alarm... | | 242 mA | | | | | | 224 mA | | | 180 mA | |
| Panel Battery Charge Capacity (sealed lead acid only) | | Up to two 24 Ah batteries, 18 Ah in cabinet | | | | | | Up to 24 Ah, 10 Ah max in cabinet * | | | | |
| Auxiliary Current | | 0.5 amps max. May be programmed as resettable. | | | | | | | | | | |
| Auxiliary Output | | 24 Vdc regulated | | | | | | | | | | |
| IDC Alarm Current | | 3.0 mA (Consult detector compatibility list p/n 3100468 for maximum detectors per circuit) | | | | | | | | | | |
| IDC Circuit | | Maximum loop resistance: 26 Ohms; Maximum loop capacitance: 0.03 µF | | | | | | | | | | |
| IDC Operating Voltage | | 16.9 to 29 Vdc | | | | | | | | | | |
| UL Detector ID | | 100 | | | | | | | | | | |
| Alarm Contact (normally open Form C) | | 30 Vdc @ 1 A (resistive load) | | | | | | | | | | |
| Trouble Contact (Form C) | | 30 Vdc @ 1 A (resistive load) | | | | | | | | | | |
| Supervisory Contact (normally open Form C) | | 30 Vdc @ 1 A (resistive load) | | | | | | | | | | |
| Operating Environment | | Temperature: 32 - 120° F (0 - 49° C); Humidity: 5 - 93% RH, non-condensing | | | | | | | | | | |
| Terminals (wire gauge) | | 18 - 12 AWG (0.75 mm ² - 2.5 mm ²) | | | | | | | | | | |
| Asynchronous Serial Communications | | Maximum resistance: 13 Ohms; Maximum capacitance: 0.03 µF | | | | | | | | | | |
| Agency Listings | | UL864 (53000), ULC-S527, CSFM | | | | | | | | | | |

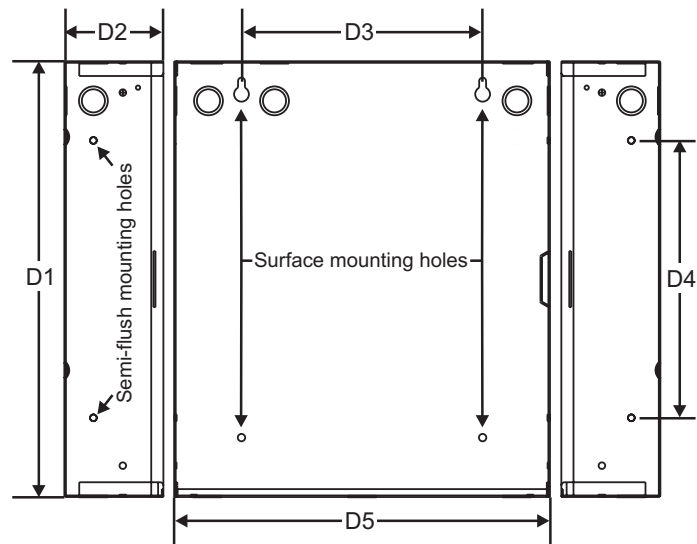
* If larger batteries are required, use an external battery cabinet.

| DACT – F-DACT (mounts in panel) | |
|---------------------------------|--|
| Receivers | Supports two receivers with two phone numbers each |
| Communications Protocol | Contact ID (SIA DC-05), 4/2 (SIA DC-02 P3) |
| Programming | Front panel controls or PC with appropriate software |
| Telephone line connection | Two RJ31X (plug-to-plug) cords supplied with DACT |
| Telephone lines | Two or one loop start lines on the public switched telephone network. Pulse or DTMF. |
| Telephone wall connector | RJ31X/CA31X equiv. or RJ38X/CA38X equiv. |
| Communications Compliance | Industry Canada CS-03; FCC/CFR 47 Parts 15 & 68; NFPA 72; UL 864; ULC S527 |
| Operating Environment | Temperature: 32-120° F (0-49° C); Humidity: 93% RH, non-condensing |
| Current requirements | Standby: 65 mA; Alarm: 107 mA |
| Agency Listings | UL864 (53000), ULC-S527, CSFM |

Dimensions

| Model | D1* | D2 | D3 | D4 | D5* |
|--------------------|----------------------|---------------------|----------------------|-----------------------|------------------------|
| Three- & five-zone | 19.5 in (49.5 cm) | 3.75 in (9.5 cm) | 9.13 in (23.2 cm) | 10.5 in (26.67 cm) | 14.23 in (36.14 cm) |
| Ten-zone | 30 in (76.2 cm) | 3.75 in (9.5 cm) | 7.75 in (19.7 cm) | 21.27 in (54.0 cm) | 15.0 in (38.1 cm) |

*Add 1½ inches (3.81 cm) to D1 and D5 dimensions for trim kit.



Ordering Information

| Part Number | Description | Ship Wt. lb. (kg.) |
|--|--|--------------------|
| Control Panels | | |
| FX-10RD | Conventional Fire Alarm Control Panel – 10 Class B IDCs and 4 Class B NACs, 7.5A NAC power, (Pairs of IDCs and NACs convertible to single Class A circuits), upload/download DACT/modem, 120VAC power source, 24VDC output | 30.5 (13.8) |
| FX-5RD | Conventional Fire Alarm Control Panel – 5 Class B IDCs and 2 Class B NACs, 3.5A NAC power, (Pairs of IDCs and NACs convertible to single Class A circuits), upload/download DACT/modem, 120VAC power source, 24VDC output | 24.4 (11.1) |
| FX-3RD | Conventional Fire Alarm Control Panel – 3 Class B IDCs and 2 Class B NACs, 3.5A NAC power, upload/download DACT/modem, 120VAC power source, 24VDC output; | 24.4 (11.1) |
| F-TRIM35R | Semi-flush trim ring for FX-3RD and FX-5RD | 1.7 (0.8) |
| F-TRIM10R | Semi-flush trim ring for FX-10RD | 2.2 (1.0) |
| <i>Note: remove "D" in model number to order panel without the upload/download dialer in the panel</i> | | |
| Related Items | | |
| F-XTR120 | Expander Transformer, 120 Vac - For FX-10 only | 4.0 (1.8) |
| EOL3.6-1.1 | Required UL listed End of Line Resistors – One 3.6K Ohm and one 1.1K Ohm. One required for each IDC configured as combination waterflow and supervisory. | 0.1 (0.5) |
| EOL-P1 | Required ULC listed End of Line Resistor Plate - includes one 1.1K, 3.6K and 4.7K Ohm resistor | 1.0 (0.5) |
| Off Premises Communications | | |
| F-DACT | Upload/download digital Communicator/modem/LCD module (Mounts in control panel) | 1.0 (0.5) |
| CTM | City Tie Module (Requires 4" square or 2-gang North American electrical box) | 1.0 (0.5) |
| RPM | Reverse Polarity Module (Requires MFC-A or other listed fire alarm enclosure) | 3.0 (1.4) |
| Remote Annunciation | | |
| FSRSI | Remote System Indicator – Includes LEDs for display of Power, Alarm, Supervisory, Trouble and Ground Fault, trouble sounder and silence/lamp test switch. Single gang trim plate included, multi-gang plates ordered separately. Mounts in a single or multi-gang North American electrical box. | 0.3 (0.1) |
| FSRZI-A | Remote Zone Indicator – Includes red LEDs for five IDCs. Single gang trim plate included, multi-gang plates ordered separately. Mounts in single or multi-gang North American electrical box. | 0.3 (0.1) |
| FSRZI-SA | Remote Zone Indicator – Includes LEDs for five IDCs. Single gang trim plate included, multi-gang plates ordered separately. Mounts in single or multi-gang North American electrical box. Jumper selected Alarm (red) or Supervisory (amber) indications. | 0.3 (0.1) |
| FSAT1 | Annunciator Trim Plate, 1 gang | 0.1 (0.05) |
| FSAT2 | Annunciator Trim Plate, 2 gang | 0.1 (0.05) |
| FSAT3 | Annunciator Trim Plate, 3 gang | 0.1 (0.05) |
| FSAT4 | Annunciator Trim Plate, 4 gang | 0.1 (0.05) |
| FSRA10 | Single Unit 10 zone remote annunciator for FX-10 | |
| FSRA10C | Single Unit 10 zone remote annunciator for FX-10 (with common controls) | |
| FSUIM | Common Function Graphic Driver/Interface - 9 relays and 5 switch inputs for common system indicators and controls | |
| Remote Relay Module | | |
| FSRRM24 | Remote Relay Module – Five Form C relays. Configurable for IDCs 1-5, or 6-10, or common system indications. Requires MFC-A or other listed fire alarm enclosure. | 0.4 (0.2) |
| FSRRM-S11 | 11" Mounting track. Holds up to 4 FSRRM24s. | 0.4 (0.2) |
| Accessories | | |
| MFC-A | Multi-function Cabinet (fire alarm accessory enclosure) | 7.0 (3.2) |
| FireworX 2-wire CleanMe Smoke Detectors | | |
| FX7-2 | Photoelectric smoke detector, head & terminal base (included), 2-wire, CleanMe, drift compensation. | |
| FX7-2T | Photoelectric smoke detector, head & terminal base (included), 2-wire, CleanMe, drift compensation, fixed/rate-of-rise heat detector | |

For a complete listing of CleanMe compatible smoke detectors refer to 3101019-EN.



Contact us...

Email: edwards.fire@fs.utc.com

Web: <http://fireworx.edwardsfire.com/>

FireworX is an **EDWARDS** brand.

1016 Corporate Park Drive
Mebane, NC 27302

© 2013 UTC Fire & Security Americas Corporation, Inc. All rights reserved.
Specifications subject to change without notice. Edwards is part of UTC Climate, Controls & Security, a unit of United Technologies Corporation.
