



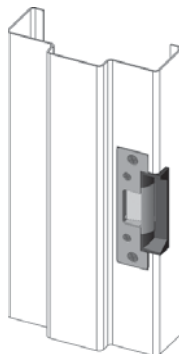
The 5200 Series is also available in a **Complete One Box Solution**

# 5200 Series

## The grade 1 solution with horizontal adjustability

*Shown with 501 Option*

The 5200 series electric strikes feature an in-frame horizontal adjustable design to simplify the installation process. This feature allows the installer to easily adjust the electric strike opening to accommodate the horizontal position of the latchbolt after the strike has been installed. This field selectable fail secure/fail safe unit is easy to install and accommodates latchbolts up to 3/4" throw.



### Specifications

- UL 1034, burglary-resistant listed
- ANSI/BHMA A156.31, Grade 1
- Patent: 5,934,720

### Frame Application

- Metal
- Wood

### Electrical

- .24 Amps @ 12VDC/VAC
- .12 Amps @ 24VDC/VAC
- DC continuous duty/ AC intermittent duty only

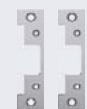
## 5200 Models

### 5200

Universal electric strike  
Faceplate options ordered separately, see page 26

### 5200C

Complete electric strike  
Includes the 501 and 501A faceplates in the box



Model 5200C includes a 501 and a 501A faceplate in the box

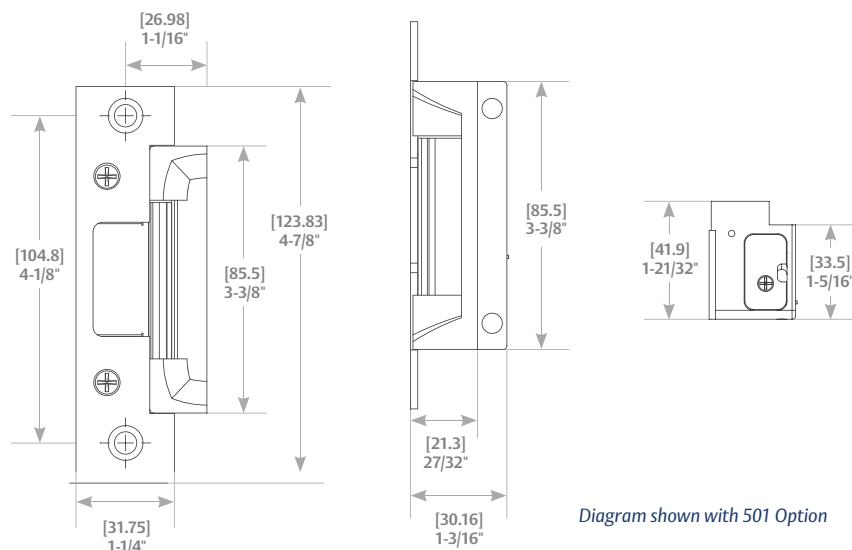


Diagram shown with 501 Option

### Standard Features

- Tamper resistant
- Static strength 1,500 lbs.
- Dynamic strength 70 ft-lbs.
- Endurance 500,000 cycles
- Field selectable fail secure/ fail safe
- Dual voltage 12 or 24 VDC/VAC
- In-frame horizontal adjustment
- Non-handed
- Internally mounted solenoid
- Accommodates 5/8" - 3/4" latchbolt (3/4" with 1/8" door gap)
- Strike body depth 1-3/16"
- Plug-in connector
- Trim enhancer included
- Five-year limited warranty

### Optional Features

- LBM » Latchbolt monitor
- LBSM » Latchbolt strike monitor

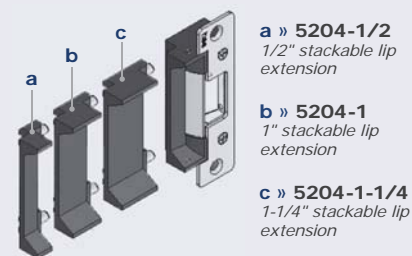
### Accessories

- 5200-500 » Filler block for retro-fit applications
- 150 » Strike latch guard
- 154-MTK » Metal template kit
- 2001M » Plug-in bridge rectifier
- 2004M » ElectroLynx® adapter
- 2005M3 » SMART Pac® III
- 2006M » Plug-in buzzer
- 5204-1/2 » 1/2" stackable lip extension
- 5204-1 » 1" stackable lip extension
- 5204-1-1/4 » 1-1/4" stackable lip extension

### Finishes

- 630 » Satin stainless steel
- 605 » Bright brass
- 606 » Satin brass
- 612 » Satin bronze
- 613 » Bronze toned
- 629 » Bright stainless steel
- BLK » Black

\*Complete Pacs are only available in the 630 finish



CYLINDRICAL  
LOCKSETS



SPECIALTY  
SPECIALTY LOCKSETS



FIELD SELECTABLE  
(12 OR 24VDC)



FIELD SELECTABLE  
(FAIL SECURE/FAIL SAFE)



GRADE 1



UL 1034  
BURGLARY LISTED

hes  
ASSA ABLOY

# 5000/5200 Series Faceplate Options



**Operation:** After releasing the latchbolt, the keeper returns to the locked position

 <p>4-7/8" x 1-1/4"</p> <p>Square corners and flat faceplate</p>	<p><b>501 Option</b></p> <p><b>For use with:</b> Cylindrical locksets in ANSI metal jambs</p> <p>» ANSI/BHMA Numbers: E09321, E09322, E09323</p>	
 <p>4-7/8" x 1-1/4"</p> <p>Radius corners and flat faceplate</p>	<p><b>501A Option</b></p> <p><b>For use with:</b> Cylindrical locksets or spring latches used in aluminum frames. Includes universal mounting tabs.</p> <p>» ANSI/BHMA Numbers: E09321, E09322, E09323</p>	 
 <p>7-15/16" x 1-7/16"</p> <p>Radius corners and flat faceplate</p>	<p><b>502 Option</b></p> <p><b>For use with:</b> Cylindrical locksets or spring latches used in aluminum frames. Includes universal mounting tabs.</p> <p>» ANSI/BHMA Numbers: E09321, E09322, E09323</p>	 
 <p>6-7/8" x 1-1/4"</p> <p>Radius corners and flat faceplate</p>	<p><b>503 Option</b></p> <p><b>For use with:</b> Cylindrical locksets or spring latches used in aluminum frames. Includes universal mounting tabs.</p> <p>» ANSI/BHMA Numbers: E09321, E09322, E09323</p>	 
 <p>10" x 1-3/8"</p> <p>Radius corners and flat faceplate</p>	<p><b>504 Option</b></p> <p><b>For use with:</b> Cylindrical locksets. Four-point mounting for wood installations</p> <p>» ANSI/BHMA Numbers: E09321, E09322, E09323</p>	