

600W Dimmer with Wi-Fi Technology

decora smart™



APPLICATION

Control connected loads and lights from anywhere using Wi-Fi, an internet connection and the free My Leviton app; that is all you need, no hub required. Simplify control of the residence – schedule lights and connected loads to turn on/off at specific times or based on sunrise/sunset, easily group smart devices into rooms, and create scenes to activate multiple lights at once. Customize your experience with adjustable fade rates, maximum/minimum illumination levels, and more if desired. Supports dimmable LED and CFL technologies up to 300 Watts along with support for legacy incandescent lighting loads up to 600 Watts.

AMAZON ALEXA VOICE CONTROL

Compatible with all products that support Amazon Alexa providing voice control of the load: “Alexa, dim living room lights to 25%”. Alexa devices (including Echo, Dot, and Tap) sold separately.

GOOGLE ASSISTANT VOICE CONTROL

“Ok Google, turn [My Leviton device name] On”. Works with the Google Assistant. Google Home is a voice enabled speaker powered by the Google Assistant. Easily control smart devices around the home. (Google Assistant devices sold separately).

LOW-WATTAGE LED LOADS

The new lighting control accessories are engineered to function with extremely sensitive, low-wattage light sources, such as a single LED bulb in a hallway or a strand of holiday lights, ensuring LEDs do not glow when off.

Leviton Manufacturing Co., Inc. Global Headquarters

201 N. Service Rd. Melville, NY 11747-3138 Tech Line: 1-800-824-3005 Fax: 1-800-832-9538

Leviton Manufacturing Co., Inc. Energy Management, Controls and Automation.

4330 Michoud Blvd., New Orleans, LA, 70129 Tel: 1-504-736-9810 Fax: 1-504-253-2954

Visit our Website at: www.leviton.com/decorasmart

©2017 Leviton Manufacturing Co., Inc. All rights reserved. Subject to change without notice.

AESTHETICS

Dimmers leverage the popular Decora form factor and styling, along with compatible accessories including three-way devices, color change kits, and wallplates. Dimmers feature true rocker action, pressing the top to turn on and the bottom to turn off. Additionally, the dim/brighten bar is conveniently located along the right side of the paddle, ensuring ease of use. Vanishing LEDs on the left side of the paddle show current and target light level with real-time feedback for the most professional and cleanest installation. Pair the device with an optional Leviton screwless wallplate.

BENEFITS

- Control your lights from anywhere using the free My Leviton app for iOS and Android, no hub required.
- Amazon Alexa products provide voice control: “Alexa, turn on living room lights”. (Echo, Tap, and Dot sold separately).
- Works with Google Assistant including Google Home for voice control. “Ok Google, set [My Leviton device name] to [1-100]%
- Simplify control of your home – schedule lights and connected loads to turn on/off at specific times or based on sunrise/sunset, easily group your smart devices into rooms, and create scenes to activate multiple lights at once.

FEATURES

- White and Light Almond color faces included
- Rated for dimmable CFL and LED loads up to 300W
- Rated for incandescent loads up to 600W
- Soft fade on/off
- On/off LED (bottom) and Brightness Level LED (left side)
- Multi-location (3-way) dimming is achieved using up to 4 remote units, DD00R-DLZ.

RATINGS

- Incandescent - 600W - 120VAC, 60Hz
- LED/CFL - 300W - 120VAC, 60Hz

AGENCY STANDARDS AND COMPLIANCE

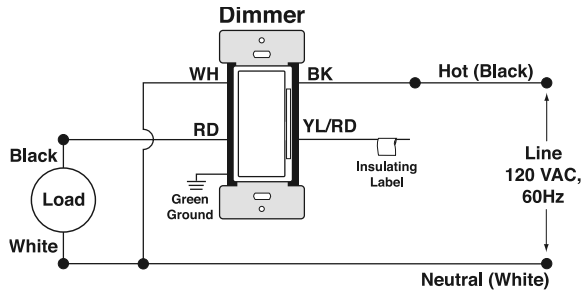
- Complies with UL 1472
- CSA Certified (File #003413)
- NOM-ANCE Certified
- Wi-Fi CERTIFIED™
- Complies with FCC Part 15, Class B

WARRANTY INFORMATION

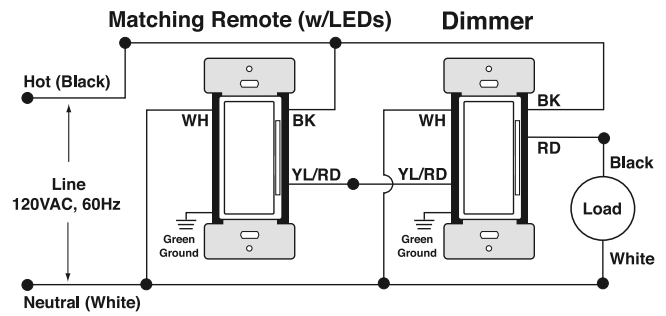
Five-Year Limited Warranty

600W Dimmer with Wi-Fi Technology

SINGLE POLE WIRING DIAGRAM



THREE-WAY WIRING DIAGRAM



ORDERING INFORMATION

DESCRIPTION	CAT. NO.
600 Watt Dimmer with Wi-Fi Technology	DW6HD-1BZ
Matching Dimmer Remote	DD00R-DLZ

Leviton Manufacturing Co., Inc. Global Headquarters

201 N. Service Rd. Melville, NY 11747-3138 Tech Line: 1-800-824-3005 Fax: 1-800-832-9538

Leviton Manufacturing Co., Inc. Energy Management, Controls and Automation.

4330 Michoud Blvd., New Orleans, LA, 70129 Tel: 1-504-736-9810 Fax: 1-504-253-2954

Visit our Website at: www.leviton.com/decorasmart

©2017 Leviton Manufacturing Co., Inc. All rights reserved. Subject to change without notice.

SAT-10112
REV FEB 2017