

EMERGENCY LIGHTING

2018 Edition

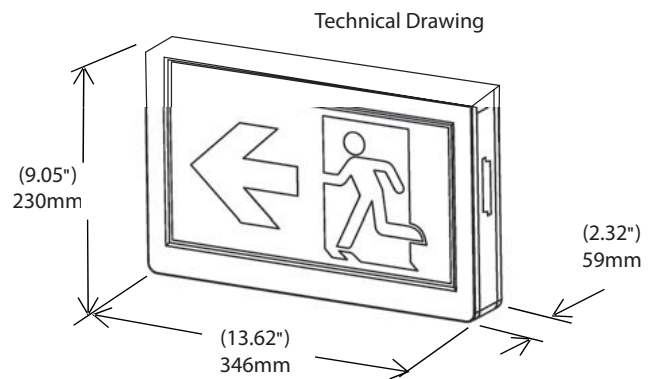
Emergency
Lighting Solutions

ELRM-100

LED Running Man Sign



FEATURES	
LED Type	SMD LED
Battery Type	Ni-cd
Working Time	90 minutes
Charging Time	15-24 Hours



Model No	Power (W)	Lamp Type	Input Voltage	Frequency	Discharge
ELRM-100	1.5W	SMD LED	120/347VAC	60Hz	90 minutes

DESCRIPTION

- Injection-molded thermoplastic ABS housing
- UL-94V-0 flame rating, fire-retardant
- Wall and ceiling mounting
- Input Voltage: 120/347VAC 60Hz
- Super bright SMD LED
- Nickel Cadmium Battery
- Test switch and charge indicator light
- Overcharge & Over-discharge protection
- Backup time: ≥90 minutes
- Conversion time: <0.2 second
- IP Class: IP20
- Insulation: II, Range: 80m² / 860sq.ft
- Operating Temperature: 0 °C ~ 40 °C / 32 °F ~104 °F

Pictogram



Arrow Right 2pcs



Without Arrow 1pcs

ELRM-180-2RC

LED Running Man Sign with 2X LED Remotes Built-In (Remote Capable)



Pictogram



Arrow Right 2pcs

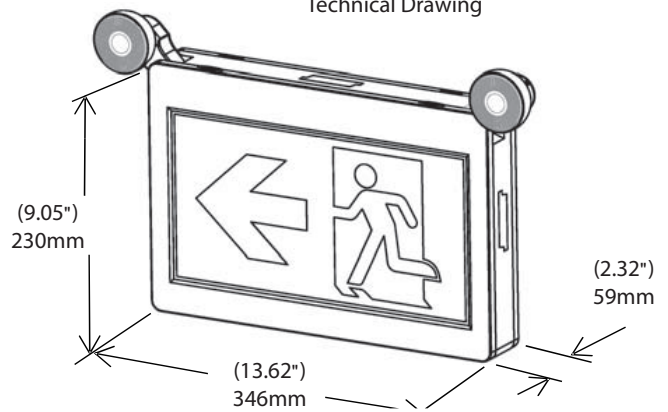


Without Arrow 1pcs



FEATURES	
LED Type	SMD LED
Battery Type	Ni-cd
Working Time	90 minutes
Charging Time	15-24 Hours

Technical Drawing



Model No	Power (W)	Lamp Type	Input Voltage	Frequency	Discharge
ELRM-180	3.5W	2x1 LED	120/347VAC	60Hz	90 minutes

DESCRIPTION

- Injection-molded thermoplastic ABS housing
- UL-94V-0 flame rating, fire-retardant
- Wall and ceiling mounting
- Input Voltage: 120/347VAC 60Hz
- Super bright SMD LED 2x1W
- Nickel Cadmium Battery
- Test switch and charge indicator light
- Overcharge & Over-discharge protection
- Backup time: ≥90 minutes
- Conversion time: <0.2 second
- IP Class: IP20
- Insulation: II, Range: 80m2 / 860sq.ft
- Operating Temperature: 0 °C ~ 40 °C / 32 °F ~104 °F

Remote Add-ons:



EL-7030A (2pc Max)



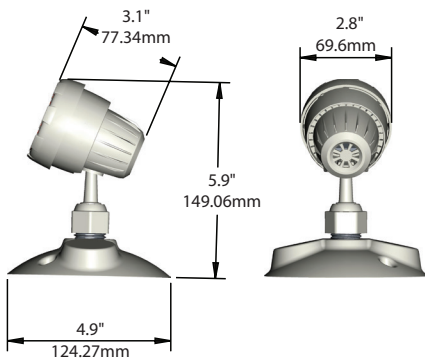
EL-7030B (1pc Max)

EL-7030A

Universal 2W LED Emergency Remote Head (3.6-24V)



Technical Drawing



DESCRIPTION

- Injection-molded thermoplastic ABS housing
- UL-94V-0 flame rating, fire-retardant
- Wall and ceiling mounting
- Universal voltage LED remote compatible with any emergency lighting system (3.6-24VDC)
- Super bright SMD LED 2W
- IP Class: IP20
- Insulation: II, Range: 80m² / 860sq.ft
- Operating Temperature: 0 °C ~ 40 °C / 32 °F ~104 °F

Suitable for:

ELRM-180-2RC

EL-7006-RC

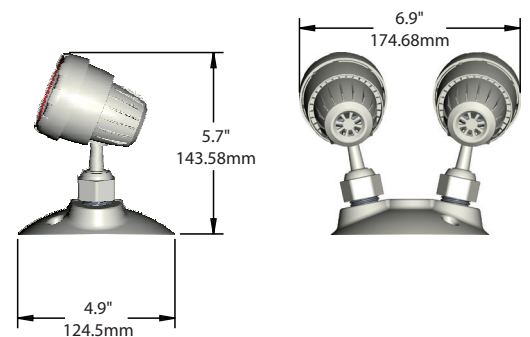
EL-7023-RC

EL7030B

Universal 2 X 2W LED Emergency Dual Remote Head (3.6-24V)



Technical Drawing



DESCRIPTION

- Injection-molded thermoplastic ABS housing
- UL-94V-0 flame rating, fire-retardant
- Wall and ceiling mounting
- Universal voltage LED remote compatible with any emergency lighting system (3.6-24VDC)
- Super bright SMD LED 2x2W
- IP Class: IP20
- Insulation: II, Range: 80m² / 860sq.ft
- Operating Temperature: 0 °C ~ 40 °C / 32 °F ~104 °F

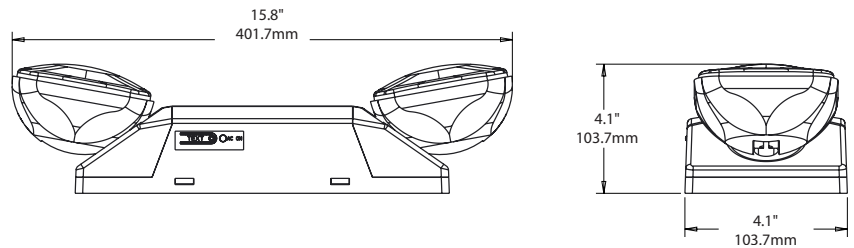
EL-7006-RC*

Twin Spot LED Emergency Light with 6V5Ah Battery (Remote Capable)



FEATURES	
LED Type	SMD LED
Battery Type	Lead-acid
Working Time	90 minutes
Charging Time	15-24 Hours

Technical Drawing



Model No	Power (W)	Lamp Type	Input Voltage	Frequency	Discharge	Output Voltage
EL-7006-RC	4W	2x2W LED	120/347VAC	60Hz	90 minutes	6VDC

DESCRIPTION

- Injection-molded thermoplastic ABS housing
- UL-94V-0 flame rating, fire-retardant
- Wall mounting
- Switchable input voltage 120/347VAC with a line cord or AC plug
- 2x2W lamps for emergency mode
- Sealed Lead-acid battery 6V 5Ah
- Test switch and charge indicator light
- Overcharge & Over-discharge protection
- Backup time: ≥90 minutes
- Conversion time: <0.2 second
- IP Class: IP20
- Insulation: II, Range: 80m2
- Operating Temperature: 0 °C ~ 40 °C

Remote add-on support (40W max for 30 minutes).



EL-7030A (20pc Max)



EL-7030B (10pc Max)

*Available without Remote Capability (EL-7006)



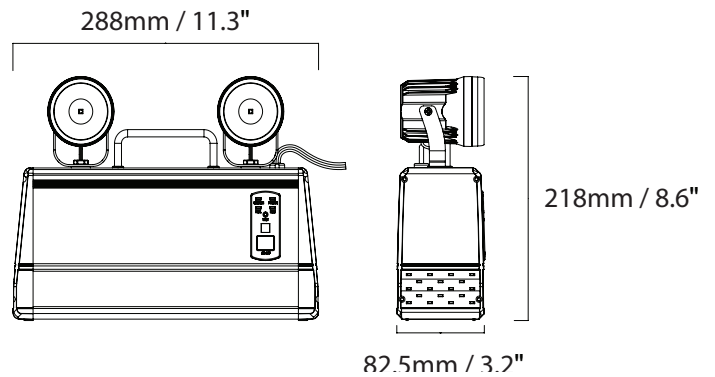
EL-7023-RC

LED Emergency Light with 12V9Ah Battery (Remote Capable)



Technical Drawing

FEATURES	
LED Type	COB LED
Battery Type	Lead-acid
Working Time	90 minutes
Charging Time	24-48 Hours



Model No	Power (W)	Lamp Type	Input Voltage	Frequency	Discharge	Output Voltage
EL-7023-RC	4W	2x2W LED	120/347VAC	60Hz	90 minutes	12VDC

DESCRIPTION

- Aluminum body and thermoplastic ABS lamp head
- UL-94V-0 flame rating, fire-retardant
- Wall mounting
- Switchable input voltage 120/347VAC with a line cord or AC plug
- 2x2W lamps for emergency mode
- Sealed Lead-acid battery 12V 9Ah
- Test switch and charge indicator light
- Overcharge & Over-discharge protection
- Backup time: ≥90 minutes
- Conversion time: <0.2 second
- IP Class: IP20
- Insulation: II, Range: 80m2
- Operating Temperature: 0 °C ~ 40 °C

Remote add-on (30 minutes support)



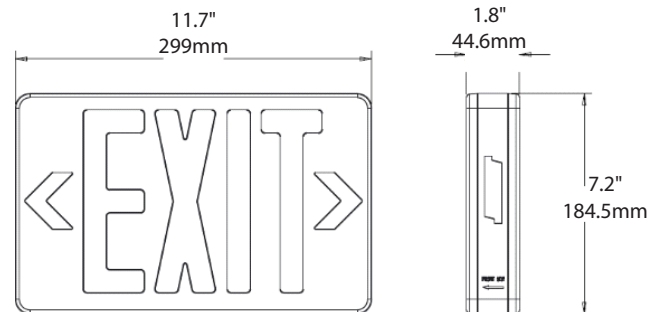
EL-7030A (60pc Max)



EL-7030B (30pc Max)



Technical Drawing



FEATURES	
LED Type	Straw LED
Battery Type	Ni-cd
Working Time	90 minutes
Charging Time	15-24 Hours

Model No	Power (W)	Lamp Type	Input Voltage	Frequency	Discharge
EL-7007RX	2W	Straw LED	120/277VAC	60Hz	90 minutes

DESCRIPTION

- Injection-molded thermoplastic ABS housing
- UL-94V-0 flame rating, fire-retardant
- Wall, side and ceiling mounting
- Input Voltage: 120/277VAC 60Hz
- Super bright SMD LED
- Nickel Cadmium Battery
- Test switch and charge indicator light
- Overcharge & Over-discharge protection
- Backup time: ≥90 minutes
- Conversion time: <0.2 second
- IP Class: IP20
- Operating Temperature: 0 °C ~ 40 °C



*Available in Spanish EL-7007RS

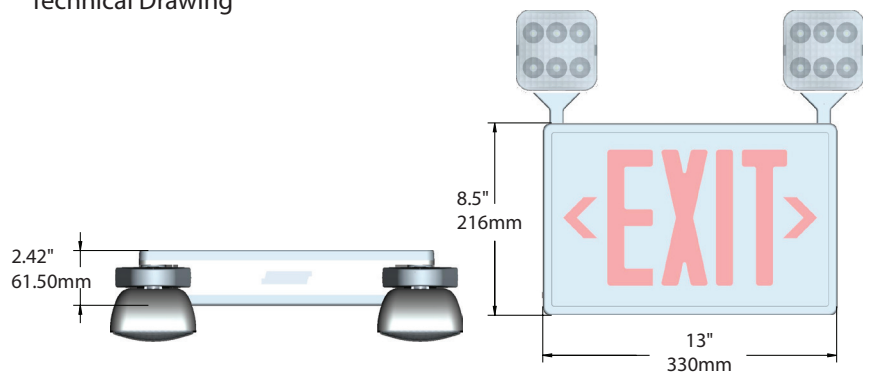
EL-7027AR

LED Emergency Exit Sign with Adjustable Twin Spot LED Lights



Technical Drawing

FEATURES	
LED Type	SMD LED
Battery Type	Ni-cd
Working Time	90 minutes
Charging Time	15-24 Hours



Model No	Power (W)	Lamp Type	Input Voltage	Frequency	Discharge
EL-7027AR	3W	2x1W LED	120/277VAC	60Hz	90 minutes

DESCRIPTION

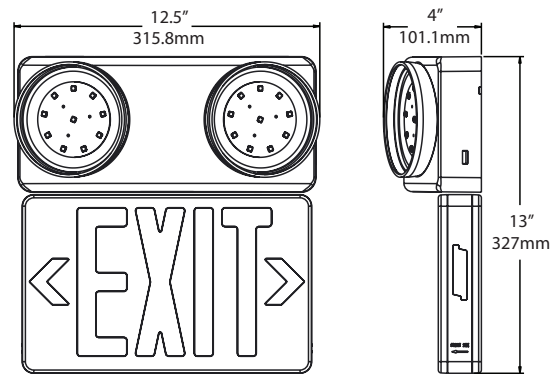
- Injection-molded thermoplastic ABS housing
- UL-94V-0 flame rating, fire-retardant
- Wall and ceiling mounting
- Input Voltage: 120/277VAC 60Hz
- 2x1W lamps for emergency mode
- Nickel Cadmium Battery
- Test switch and charge indicator light
- Overcharge & Over-discharge protection
- Backup time: ≥90 minutes
- Conversion time: <0.2 second
- IP Class: IP20
- Insulation: II, Range: 80m2
- Operating Temperature: 0 °C ~ 40 °C

EL-7011R*

LED Emergency Exit Sign With Twin Spot LED Lights



Technical Drawing



FEATURES	
LED Type	SMD LED
Battery Type	Ni-cd
Working Time	90 minutes
Charging Time	15-24 Hours

Model No	Power (W)	Lamp Type	Input Voltage	Frequency	Discharge
EL-7011R	6W	2x2W LED	120/277VAC	60Hz	90 minutes

DESCRIPTION

- Injection-molded thermoplastic ABS housing
- UL-94V-0 flame rating, fire-retardant
- Wall and ceiling mounting
- Input Voltage: 120/277VAC 60Hz
- 2x2W lamps for emergency mode
- Nickel Cadmium Battery
- Test switch and charge indicator light
- Overcharge & Over-discharge protection
- Backup time: ≥ 90 minutes
- Conversion time: < 0.2 second
- IP Class: IP20
- Insulation: II, Range: 80m2
- Operating Temperature: 0 °C ~ 40 °C



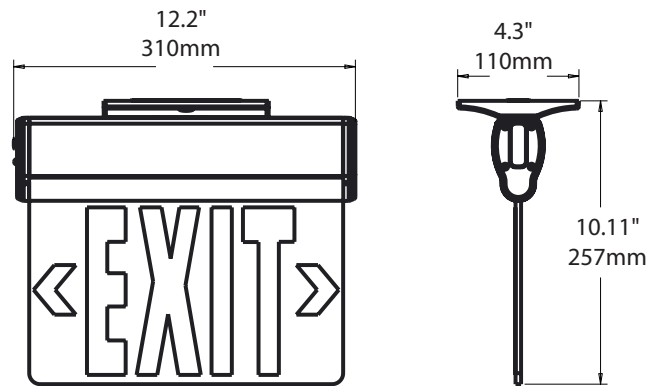
*Available in Spanish EL-7011RS

EL-7008R

Slim LED Emergency Exit Sign



Technical Drawing



FEATURES	
LED Type	SMD LED
Battery Type	Ni-cd
Working Time	90 minutes
Charging Time	15-24 Hours

Model No	Power (W)	Lamp Type	Input Voltage	Frequency	Discharge
EL-7008R	3W	SMD LED	120/277VAC	60Hz	90 minutes

DESCRIPTION

- Injection-molded thermoplastic ABS housing
- UL-94V-0 flame rating, fire-retardant
- Wall and ceiling mounting
- Input Voltage: 120/277VAC 60Hz
- Super bright LED
- Nickel Cadmium Battery
- Test switch and charge indicator light
- Overcharge & Over-discharge protection
- Backup time: ≥ 90 minutes
- Conversion time: < 0.2 second
- IP Class: IP20
- Operating Temperature: 0 °C ~ 40 °C

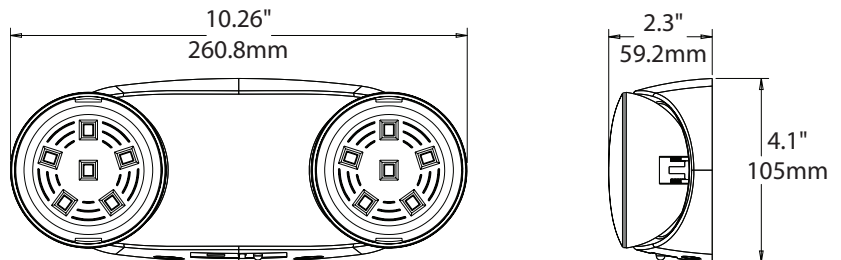
EL-7012

Twin Spot LED Emergency Light (3W)



FEATURES	
LED Type	SMD LED
Battery Type	Ni-cd
Working Time	90 minutes
Charging Time	15-24 Hours

Technical Drawing



Model No	Power (W)	Lamp Type	Input Voltage	Frequency	Discharge
EL-7012	3W	2x1.2W LED	120/277VAC	60Hz	90 minutes

DESCRIPTION

- Injection-molded thermoplastic ABS housing
- UL-94V-0 flame rating, fire-retardant
- Wall and ceiling mounting
- Input Voltage: 120/277VAC 60Hz
- 2x1.2W lamps for emergency mode
- Nickel Cadmium Battery
- Test switch and charge indicator light
- Overcharge & Over-discharge protection
- Backup time: ≥ 90 minutes
- Conversion time: < 0.2 second
- IP Class: IP20
- Insulation: II, Range: 80m2
- Operating Temperature: 0 °C ~ 40 °C

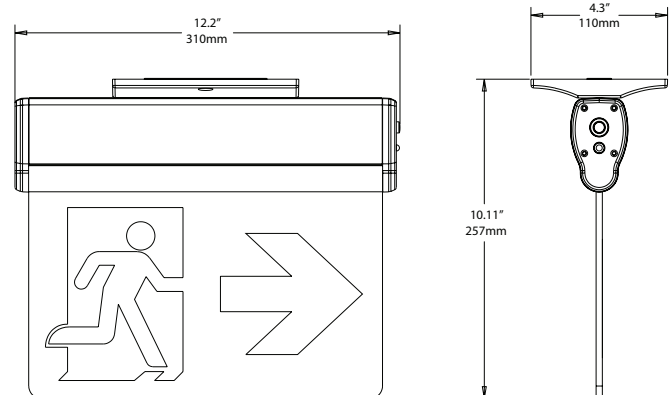


EL-7008M

Slim LED Running Man Sign



Technical Drawing



FEATURES	
LED Type	SMD LED
Battery Type	Ni-cd
Working Time	90 minutes
Charging Time	15-24 Hours

Model No	Power (W)	Lamp Type	Input Voltage	Frequency	Discharge
EL-7008M	2W	SMD LED	120/347VAC	60Hz	90 minutes

DESCRIPTION

- Injection-molded thermoplastic ABS housing
- UL-94V-0 flame rating, fire-retardant
- Wall and ceiling mounting
- Input Voltage: 120/347VAC 60Hz
- Super bright LED
- Nickel Cadmium Battery
- Test switch and charge indicator light
- Overcharge & Over-discharge protection
- Backup time: ≥ 90 minutes
- Conversion time: < 0.2 second
- IP Class: IP20
- Operating Temperature: $0^{\circ}\text{C} \sim 40^{\circ}\text{C}$

Pictogram



Arrow Right 2pcs



Without Arrow 1pcs

Order Information

Canada	Product	Description
	ELRM-100	LED RUNNING MAN SIGN
	ELRM-180-2RC	LED RUNNING MAN SIGN WITH 2X LED REMOTES BUILT-IN (REMOTE CAPABLE)
	EL-7030A	UNIVERSAL 2W LED EMERGENCY REMOTE HEAD (3.6-24V)
	EL-7030B	UNIVERSAL 2 X 2W LED EMERGENCY DUAL REMOTE HEAD (3.6-24V)
	EL-7006	TWIN SPOT LED EMERGENCY LIGHT (4W)
	EL-7006-RC	TWIN SPOT LED EMERGENCY LIGHT (REMOTE CAPABLE)
	EL-7023-RC	LED EMERGENCY LIGHT WITH 12V9A BATTERY (REMOTE CAPABLE)
USA		
	EL-7006	TWIN SPOT LED EMERGENCY LIGHT (4W)
	EL-7007RX	LED EMERGENCY EXIT SIGN
	EL-7011R	LED EMERGENCY EXIT SIGN WITH TWIN SPOT LED LIGHTS
	EL-7027AR	LED EMERGENCY EXIT SIGN WITH ADJUSTABLE TWIN SPOT LED LIGHTS
	EL-7012	TWIN SPOT LED EMERGENCY LIGHT (3W)
	EL-7008R	SLIM LED EMERGENCY EXIT SIGN
South America		
	EL-7007RS	LED EMERGENCY EXIT SIGN (SALIDA)
	EL-7011RS	LED EMERGENCY EXIT SIGN WITH TWIN SPOT LED LIGHTS (SALIDA)
	EL-7006	TWIN SPOT LED EMERGENCY LIGHT (4W)
	EL-7012	TWIN SPOT LED EMERGENCY LIGHT (3W)

CORPORATE/CANADA

25 Interchange Way
 Vaughan, ON L4K 5W3
 Tel: 888.660.4655
 Fax: 888.660.4113

USA

4575 Witmer Industrial Estates
 Niagara Falls, NY 14305
 Tel: 888.660.4655
 Fax: 888.660.4113

INTERNATIONAL

25 Interchange Way
 Vaughan, ON L4K 5W3
 Tel: 905.660.4655
 Fax: 905.660.4113



The contents of this document may be changed by Mircom Technologies Ltd. without notice. Mircom makes no representations or warranties about the completeness or accuracy of these contents and expressly disclaims liability howsoever arising therefrom. These contents, including all referenced trade names, logos, graphics, marks and copy right information, registered or unregistered, are the exclusive property of Mircom and shall not, without its prior consent, be used, reproduced, stored or transmitted by any means. Purchase of Mircom products is subject to standard warranties, software license agreement and terms and conditions, available on request.

ISO 9001:2008
 REGISTERED 

MIR-BR -170048
 03/18