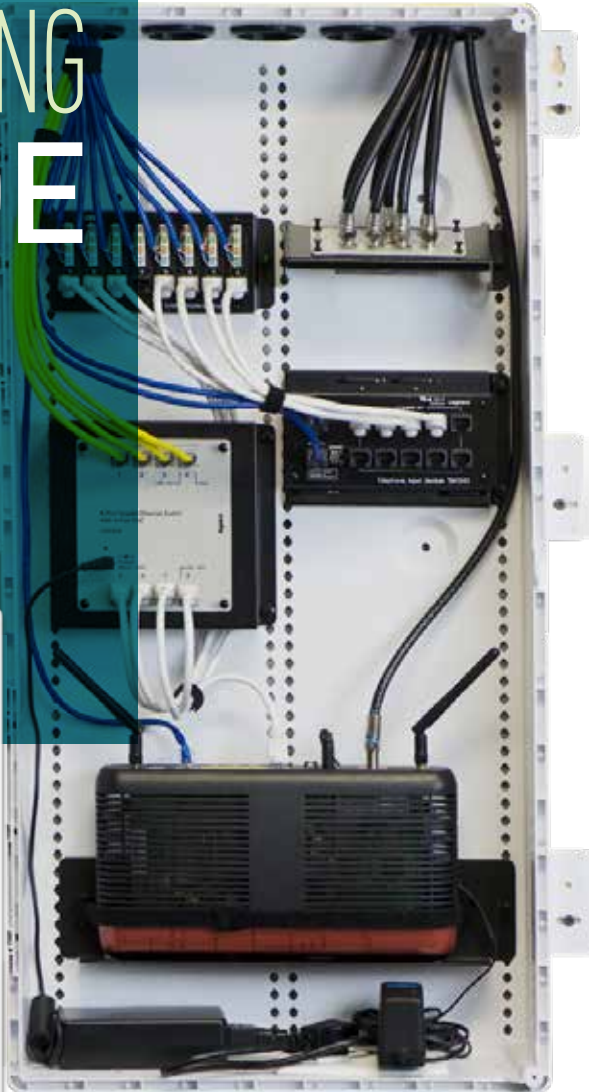


STRUCTURED WIRING GUIDE

On-Q
Enclosures & Connectivity



designed to be better.™

 **legrand**®

SUPERIOR INFRASTRUCTURE SOLUTIONS



As the industry leader in structured wiring, Legrand provides the proven, practical solutions preferred by installers and major home builders across the country. Our comprehensive On-Q product offering — which includes wall plates, jacks, hdmi cables, straps, tools, modules and enclosures — simplifies installations and reduces time on site. We specialize in meeting the right specifications for any project — residential or light commercial — with solutions that exceed your needs. From single-family homes to apartments, townhomes to condominiums, Legrand has the professional answer for any project.





TABLE OF CONTENTS

ENCLOSURES	4	Home Theater Wall Plates & Straps	20
VIDEO & VOICE DISTRIBUTION	10	Cable Access Wall Plates.....	20
HOME NETWORKING	11	Home Theater Connections	21
POWER MANAGEMENT	12	HDMI Cables	22-23
DATA CONNECTIVITY.....	13	Audio/Video Cables.....	24
Low Voltage Brackets.....	13	Patch Cables.....	25
Keystone Inserts.....	14-15	Cable Ties	26
Keystone Wall Plates	16	Patch Panels.....	26
Wall Plates	17		
Straps	18		
Surface Mount Boxes	18		
Pre-Molded Plates & Straps	19		
Pre-Configured Plates & Straps.....	19		
		INSTALLATION TOOLS & CONNECTORS.....	27

ENCLOSURES

METAL

- Flush and surface installation options
- Flanged covers hide drywall openings
- UL listed for fire and security alarm equipment
- Made in the USA
- Cable guard insert protects cables and equipment from dust, paint and debris between rough-in and trim out
- Includes 3 powder-coated openings for cable pass-through



Enclosure Dimensions	12.13"H x 14.25"W x 3.6"D	14" H x 14.25" W x 3.6" D	20" H x 14.25" W x 3.6" D	28" H x 14.25" W x 3.6" D	42" H x 14.25" W x 3.6" D
Enclosure with Screw-On Cover	EN1200	EN1400	EN2000	EN2800	EN4200
Enclosure with Hinged Cover	N/A	EN1450	EN2050	EN2850	EN4250
Enclosure, Only	N/A	EN1480	EN2080	EN2880	EN4280
Screw On Cover, Only	EN1220	EN1420	EN2020	EN2820	EN4220
Hinged Cover, Only	N/A	EN1460	EN2060	EN2860	EN4260
Enclosure Only, with Stackable Knockouts*	N/A	EN1485	EN2085	EN2885	EN4285
Enclosure Depth Extender**	N/A	N/A	N/A	364450-03	364450-04
Enclosure Extender Wire Manager	N/A	N/A	N/A	364482-01	364482-01
Brushed Aluminum Frame, Clear Insert (Cover Only)	N/A	N/A	N/A	364593-11	364594-11
Brushed Aluminum Frame, Smoke Insert (Cover Only)	N/A	N/A	N/A	364593-14	364594-14

* This enclosure has five knockout locations and allows vertical alignment of two enclosures for cable pass-through.

** Extenders add 2.5" of enclosure depth.

ENCLOSURES

PLASTIC

- Cover adds 1.2" of depth for cable headroom and third party device compatibility
- Universal mounting grid maximizes compatibility with third party products without additional brackets
- Extra venting along vertical plane of door allows for superior heat dissipation
- Staggered mounting tabs allow multiple enclosures to install in adjacent stud bays
- Cover includes metal hinge that attaches in seconds with no need for tools or helping hands
- Lockable with provided screws
- UL listed



ENP3050



ENP3060



ENP3060-5



ENP3080



EN3080-5



ENP4250



ENP4260



ENP4260-5



ENP4280



ENP4280-5



AC1034

30" ENCLOSURE

PART NO.	DESCRIPTION
ENP3050	30" Plastic Enclosure with Hinged Door
ENP3060	30" Plastic Hinged Door, Only
ENP3060-5	30" Plastic Hinged Door, Only (Pack of 5)
ENP3080	30" Plastic Enclosure, Only
EN3080-5	30" Plastic Enclosure, Only (Pack of 5)

42" ENCLOSURE

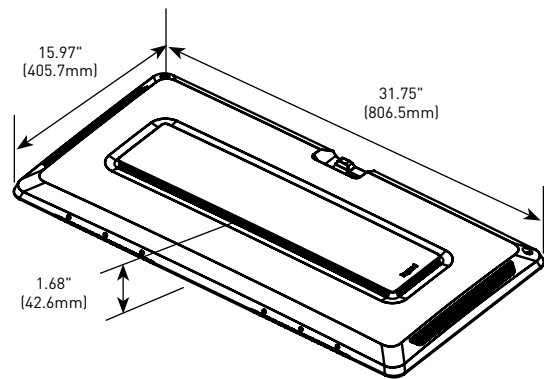
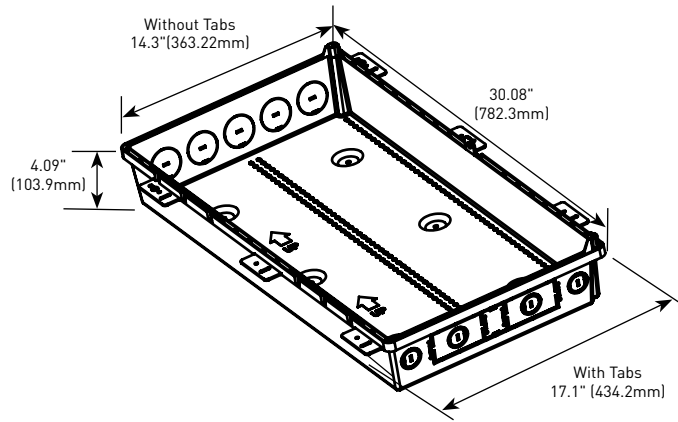
ENP4250	42" Plastic Enclosure with Hinged Door
ENP4260	42" Plastic Hinged Door, Only
ENP4260-5	42" Plastic Hinged Door, Only (Pack of 5)
ENP4280	42" Plastic Enclosure, Only
ENP4280-5	42" Plastic Enclosure, Only (Pack of 5)

ACCESSORIES

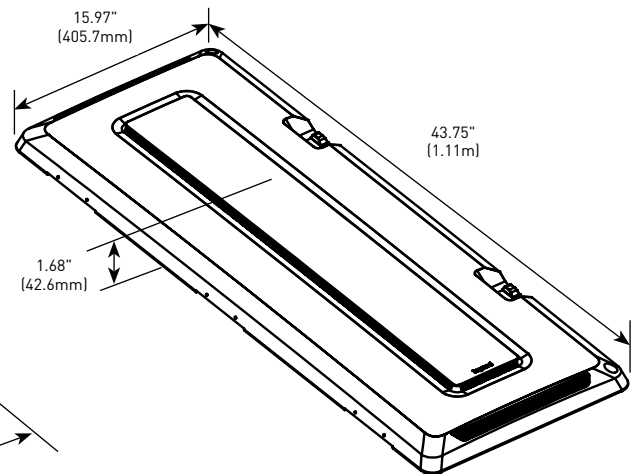
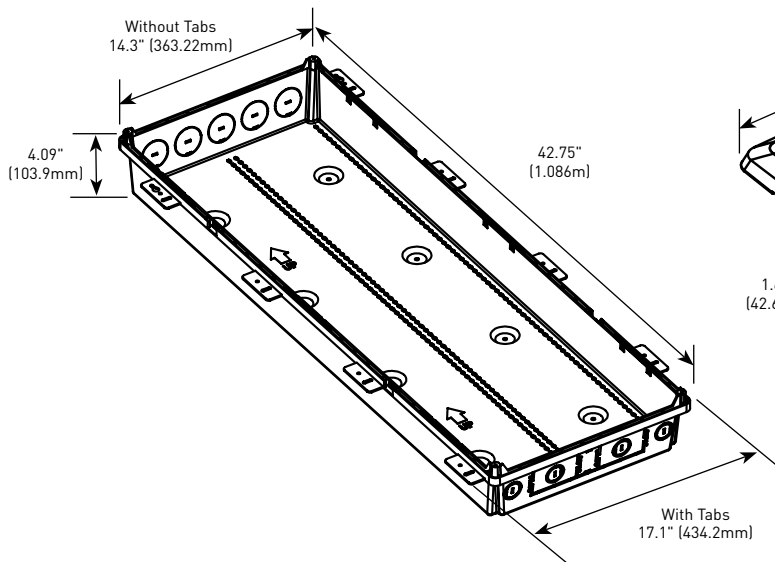
AC1034	2" Rubber Grommet Pack for Plastic Enclosure (Pack of 5)
--------	--

ENCLOSURES

ENP3050



ENP4250



ENCLOSURES

PLASTIC

- Knockouts include screw driver holes for easy removal
- Includes four self-tapping screws for mounting and optional hardware to lock the cover
- Multiple compatible video, voice, and data distribution modules available
- Flush and surface-mount installation options



EN0800



EN0801



EN0802



EN0806



EN0803



EN0804



AC0506



AC0606



TM0106



TM0404



VM0104



VM0106



VM0108



VM0204



VM0206



VM0208

MDU ENCLOSURE

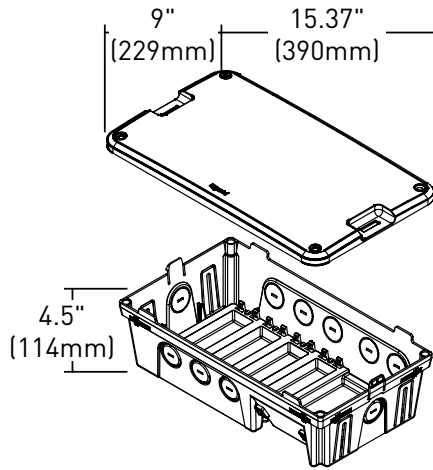
PART NO.	DESCRIPTION
EN0800	8-Inch MDU Enclosure with Cover
EN0801	8-Inch MDU Enclosure Cover
EN0802	8-Inch MDU Enclosure Kit (6 phone, 4 video)
	INCLUDES: (1) ENCLOSURE AND COVER, (1) 6-WAY PHONE MODULE TM0106, (1) 4-WAY COAX SPLITTER VM0204
EN0803	8-Inch MDU Enclosure Kit (6 phone, 4 video)
	INCLUDES: (1) ENCLOSURE AND COVER, (1) 6-WAY PHONE MODULE TM0106, (1) 6-PORT CAT 5E DATA BOARD AC0506, (1) 4-WAY COAX SPLITTER VM0204
EN0804	8-Inch MDU Enclosure Kit (6 phone, 4 video)
	INCLUDES: (1) ENCLOSURE AND COVER, (1) 6-WAY PHONE MODULE TM0106, (1) 6-PORT CAT 6 DATA BOARD AC0606, (1) 4-WAY COAX SPLITTER VM0204
EN0806	8-Inch MDU Enclosure Bulk Pack (6)

MDU ENCLOSURE MODULES

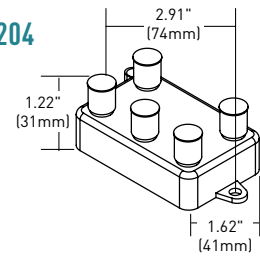
PART NO.	DESCRIPTION
AC0506	6-Port Cat 5e Data Board (For use with EN0800)
AC0606	6-Port Cat 6 Data Board (For use with EN0800)
TM0106	6-Way Telephone Board (For use with EN0800)
TM0404	Combo 4-Way Phone / 4 Port Cat 5e Data Board (For use with EN0800)
VM0104	4-Way Vertical 1 GHz Splitter (For use with EN0800)
VM0106	6-Way Vertical 1 GHz Splitter (For use with EN0800)
VM0108	8-Way Vertical 1 GHz Splitter (For use with EN0800)
VM0204	4-Way Vertical 2 GHz Splitter (For use with EN0800)
VM0206	6-Way Vertical 2 GHz Splitter (For use with EN0800)
VM0208	8-Way Vertical 2 GHz Splitter (For use with EN0800)

ENCLOSURES

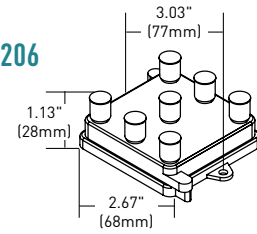
EN0800



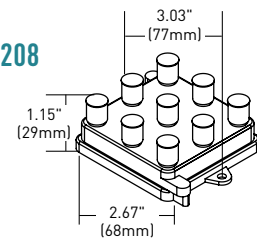
VM0104 & VM0204



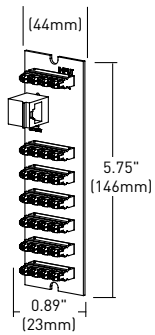
VM0106 & VM0206



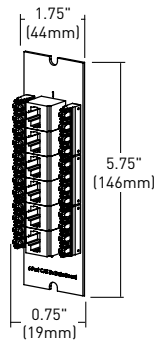
VM0108 & VM0208



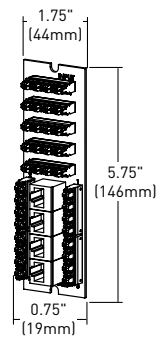
TM0106



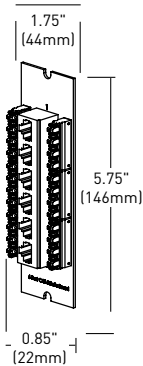
AC0506



TM0404



AC0606



ENCLOSURES

ACCESSORIES



MOUNTING PLATES AND BRACKETS

PART NO.	DESCRIPTION
364254-01	Cable Modem Mounting Plate
364259-01	Caddx Mounting Plate
364465-01	DSC 1555 Mounting Plate, Half Width
364466-01	DSC 832/1555 Mounting Plate, Full Width
364516-01	Caddx NetworX Series Mounting Plate - not shown
364714-08	Ademco Half Width Controller Mounting Plate
364715-01	Ademco Universal Controller Mounting Plate
364819-01	Two Bay Bracket
364890-01	Single Bay Bracket
AC1007	Single Bay Video Bracket
F7510	Three Bay Bracket
F9001	Six Bay Bracket
364896-01	Universal Mounting Plate, Half Width
364904-01	Universal Mounting Plate, Full Width
AC1011	Universal Circuit Board Mounting Bracket
AC1020	Third-Party Enclosure Mounting Bracket
F2250	Plungers & Grommets (50 Pack) - not shown
364264-01	Battery Holder, Half-Width
364265-01	Battery Holder, Full-Width
AC1040	Plastic Universal Mounting Plate
AC1041	Fiber Management Spools (pair)

OTHER ACCESSORIES

PART NO.	DESCRIPTION
363729-01	Plungers & Grommets (10 Pack)
364478-01	Replacement Lock Assembly & 2 Key Kit - not shown
364490-01	Replacement Key & Cover Hardware Kit
AC1017	2 Conduit Mounting Plate
AC1019	Latch Lock Kit, Hinged Cover - not shown
F2242	2.5" Grommet Ring
F2249	2.5" Knockout Plug

VIDEO & VOICE DISTRIBUTION

VOICE & VIDEO MODULES

COMBO MODULES

DESCRIPTION	Basic 6x4 Combo (110 Punchdown)	10x8 Combo with RJ31X (RJ45)	10x8 Combo with RJ31X (110 Punchdown)	10x8 Combo with RJ31X MoCA Optimized
				
PART NO.	364400-04	CO1045	CO1110	CO2110-V1
Telecom Outlets	6	10	10	10
Video Outlets	4	8	8	8
Telecom Connections	110 Punchdown	RJ45	110 Punchdown	110 Punchdown
RJ31X Line Seizure	N	Y	Y	Y
Bandwidth	1 GHz	1 GHz	1 GHz	1.675 GHz
Dimensions	5 1/8" x 6 1/2"	5 1/8" x 6 1/2"	5 1/8" x 6 1/2"	5 1/8" x 6 1/2"

VOICE MODULES

PART NO.	DESCRIPTION
TM1110	10-Way IDC Telephone Module with RJ31X
TM1045	10-Way RJ45 Telephone Module with RJ31X
1267062-01-V1	6-Way Basic Telecom Module with RJ31X



TM1110



TM1045



1267062-01-V1

VIDEO MODULES

PART NO.	DESCRIPTION
VM1000	1x4 Enhanced Passive Video Splitter/Combiner
VM1002	1x8 Enhanced Passive Video Splitter/Combiner



VM1000



VM1002

VIDEO SPLITTERS

PART NO.	DESCRIPTION
VM2201-V1	Single-Port RF Digital Cable Amplifier
NOTE: POWER SUPPLY INCLUDED	
VM2202-V1	Two-Way Digital Cable Splitter with Coax Network Support
VM2203-V1	Three-Way Digital Cable Splitter with Coax Network Support
VM2204-V1	Four-Way Digital Cable Splitter with Coax Network Support



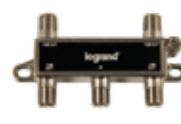
VM2201-V1



VM2202-V1



VM2203-V1



VM2204-V1



VM2200-V1

VIDEO ACCESSORIES

PART NO.	DESCRIPTION
VM2200-V1	Coax Network Signal Blocker



HOME NETWORKING

WIRED NETWORKS



DA1008



DA1054



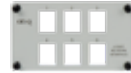
DA1458



DA2524



AC1000



AC1001



AC1012



AC1013



AC1014



AC1015



AC1058



AC1068



AC1025



DA2400



DA2401

WIRELESS NETWORKS



DA1101



DA1104



DA1104NP



DA2131-V1A

ROUTERS & SWITCHES

PART NO.	DESCRIPTION
DA1008	8-Port Gigabit Switch
NOTE: PW7760 IS THE COMPATIBLE POWER SUPPLY	
DA1054	4-Port Gigabit Ethernet Router/Switch
NOTE: PW7760 IS THE COMPATIBLE POWER SUPPLY	
DA1458	8-Port Gigabit Switch with 4-Port PoE Injector
NOTE: POE INJECTOR IS 802.3AF COMPLIANT; 60W POWER SUPPLY PURCHASED SEPARATELY (PW1458)	
DA2524	24-Port Gigabit Switch

NETWORK MODULES

PART NO.	DESCRIPTION
AC1000	6-Port Cat 5e Network Interface Module
AC1001	6-Port Network Interface Module (Unpopulated)
AC1012	6-Port Cat 5e Network Interface Module
AC1013	6-Port Cat 6 Network Interface Module
AC1014	12-Port Cat 5e Network Interface Module
AC1015	12-Port Cat 6 Network Interface Module
AC1058	8-Port Cat 5e Network Interface Module
AC1068	8-Port Cat 6 Network Interface Module

POWER OVER ETHERNET

PART NO.	DESCRIPTION
AC1025	Power Over Ethernet Mounting Plate
DA2400	802.3af 4-Port PoE Injector
NOTE: POWER SUPPLIES ARE INCLUDED	
DA2401	802.3at 4-Port High Performance PoE Injector
NOTE: POWER SUPPLIES ARE INCLUDED	

PART NO.	DESCRIPTION
DA1101	802.11n In-Wall/Ceiling Wireless Access Point
DA1104	802.11ac Low Profile Wireless Access Point
NOTE: POWER SUPPLY AND PoE INJECTOR INCLUDED	
DA1104NP	802.11n Low Profile Wireless Access Point
NOTE: POWER SUPPLY AND PoE INJECTOR NOT INCLUDED	
DA2131-V1A	802.11n Outdoor Wireless Access Point
NOTE: POWER SUPPLY AND PoE INJECTOR INCLUDED	

POWER MANAGEMENT

POWER SUPPLIES



PW7760



PW7725



PW1030



PW1060



PW1458



PW1120



PW1240



364569-02-V1



F7526



PW1006

POWER MODULES



PW1013



PW1020



AC1031

POWER SUPPLIES

PART NO.	DESCRIPTION
PW7760	12VDC, 18W Power Supply
PW7725	12VDC, 30W Power Supply
PW1030	24VDC, 30W Power Supply
PW1060	24VDC, 60W Power Supply
PW1458	48VDC, 60W Power Supply

KITS

PART NO.	DESCRIPTION
PW1120	24VDC, 120W Power Supply Kit INCLUDES: (2) 24VDC, 60W POWER SUPPLIES (PW1060), (1) MOUNTING BRACKET (PW1006), (1) CUSTOM POWER STRIP, AND VELCRO STRAPS
PW1240	24VDC, 240W Power Supply Kit INCLUDES: (4) 24VDC, 60W POWER SUPPLIES (PW1060), (2) MOUNTING BRACKETS (PW1006), (1) CUSTOM POWER STRIP, AND VELCRO STRAPS

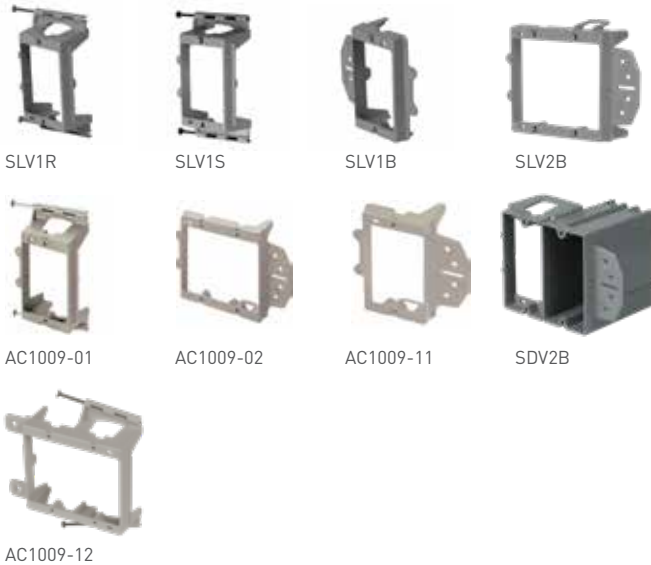
ACCESSORIES

PART NO.	DESCRIPTION
364569-02-V1	Surge Protected Duplex Power Kit INCLUDES: (1) SURGE PROTECTED DUPLEX OUTLET, (1) METAL JUNCTION BOX, AND (1) FACEPLATE KIT NOTE: TAMPER RESISTANT
F7526	Duplex Power Kit INCLUDES: (1) DUPLEX OUTLET, (1) METAL JUNCTION BOX AND (1) FACEPLATE KIT NOTE: TAMPER RESISTANT
PW1006	Twin Power Supply Bracket

PART NO.	DESCRIPTION
PW1013	Intuity Bridge Power Module
PW1020	Digital Audio Power Distribution Module
AC1031	Enclosure Power Strip Module, Half Width

DATA CONNECTIVITY

LOW VOLTAGE BRACKETS



The Quick/Click® LV Brackets save time by securely mounting devices with a single tap.



NEW CONSTRUCTION

PART NO.	DESCRIPTION
SLV1R	1-Gang, LV Bracket w/Nail, with Quick/Click®
SLV1S	1-Gang, LV Bracket w/Screw, with Quick/Click®
PLV1S	1-Gang, LV Bracket w/Screw, New Const.
SLV1B	1-Gang, LV Bracket Face Mount, with Quick/Click®
SLV2B	2-Gang, LV Bracket Face Mount, with Quick/Click®
AC1009-01	1-Gang, LV Bracket w/Nail, New Const.
AC1009-02	2-Gang, LV Bracket, Face Mount, New Const.
AC1009-11	1-Gang, LV Bracket, Face Mount, New Const.
AC1009-12	2-Gang, LV Bracket w/Nail, New Const.
SDV2B	2-Gang, LV Bracket, Face Mount, with Quick/Click®
PDV2B	2-Gang, LV Bracket, Face Mount
P100ND	1-Gang Slide Mount LV Bracket

RETROFIT

PART NO.	DESCRIPTION
SLV1W	1-Gang, Metal Wing, with Quick/Click®
AC1010-01	1-Gang, LV Bracket, Retrofit
SLV2W	2-Gang, Metal Wing, with Quick/Click®
AC1010-02	2-Gang, LV Bracket, Retrofit
SLV3W	3-Gang, Metal Wing, with Quick/Click®
AC1010-03	3-Gang, LV Bracket, Retrofit
P100WD	1-Gang LV Bracket Extender

DIVIDERS AND EXTENDERS

PART NO.	DESCRIPTION
LVDIV-1	LV Box Divider (12 Pack)
EXT1	1-Gang, 1/4" Box Extender (10 Pack)
EXT2	2-Gang, 1/4" Box Extender (10 Pack)

CRAFTED WITH DURABLE HEAVY-DUTY PLASTIC, ON-Q LV BRACKETS FEATURE AN OPEN BACK AND AN INTEGRATED CABLE MANAGEMENT SYSTEM FOR CLEAN CONNECTIONS AND EASY INSTALLATION.

DATA CONNECTIVITY

KEYSTONE INSERTS



AC3400



AC3401



WP346A-WH



WP3473-WH



WP3475-WH



WP3476-WH



WP3425-WH



WP3450-WH



WP3451-WH



WP3458-WH



WP3460-WH



WP3550-WH



WP3560-WH



WP3479-WH



WP3480-WH



WP3481-WH



WP3482-WH

QUICK CONNECT INSERTS

PART NO.	DESCRIPTION
AC3400	Punch & Go Tool IMPROVES TERMINATION SPEEDS, REDUCES COMPROMISED CONNECTIONS AND INCREASES PRODUCTIVITY OF ANY QUICK CONNECT DATA INSERT.
AC3401	Punch & Go Tool Replacement Blade
WP346a-XX	Cat 6a Quick Connect RJ45 Keystone Insert
WP3473-XX	RJ25 6-Position, 6-Conductor Telephone Keystone Insert 10 COUNT BULK PACKS IN WH AND LA (WP3473-XX-10)

COLORS: BK, BR, GY, IV, LA, WH

WP3475-XX	Cat 5e Quick Connect RJ45 Keystone Connector 10 COUNT BULK PACKS IN WH AND LA (WP3475-XX-10) 50 COUNT BULK PACKS IN WH, LA AND BE (WP3475-XX-50) 100 COUNT BULK PACKS IN WH (WP3475-WH-100) *100 PACK INCLUDES AC3400 PUNCH & GO TOOL
-----------	---

COLORS: BE, BK, BR, GY, GN, IV, LA, OR, RE, WH, YE

WP3476-XX	Cat 6 Quick Connect RJ45 Keystone Connector 10 COUNT BULK PACKS IN WH, LA (WP3476-XX-10) 50 COUNT BULK PACKS IN WH, LA AND BE (WP3476-XX-50) 100 COUNT BULK PACKS IN WH (WP3476-WH-100)
-----------	--

COLORS: BE, BK, BR, GY, IV, LA, OR, RE, WH

NOTE: THESE INSERTS ARE COMPATIBLE WITH THE AC3400 PUNCH & GO TOOL WHICH ALLOW FOR ALL WIRES TO BE TERMINATED AT ONCE.

OTHER INSERTS

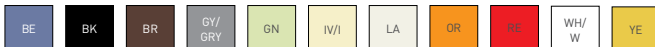
PART NO.	DESCRIPTION
WP3425-XX	RJ25 6P6C Keystone Connector COLORS: BK, BR, IV, LA, WH
WP3450-XX	Cat 5e RJ45 Keystone Connector COLORS: BE, BK, BR, GY, IV, LA, OR, RE, WH
WP3451-XX	Cat 5e RJ45 Keystone Coupler COLORS: BK, WH
WP3458-XX	Cat 5e Keyed RJ45 Keystone Connector COLORS: BK, BR, IV, LA, WH
WP3460-XX	Cat 6 RJ45 Keystone Connector
WP3550-XX	Snap & Go Cat 5e Keystone Connector
WP3560-XX	Snap & Go Cat 6 Keystone Connector COLORS: BE, BK, BR, GY, IV, LA, OR, RE, WH

COAX VIDEO INSERTS

PART NO.	DESCRIPTION
WP3479-XX	Non-Recessed Coax Keystone F-Connector (1 GHz) 10 COUNT BULK PACKS IN WH OR LA (WP3479-XX-10) 50 COUNT BULK PACK IN WH OR LA (WP3479-XX-50)
WP3480-XX	Recessed Gold F-Connector (3 GHz)
WP3481-XX	Recessed Nickel F-Connector (3 GHz) 10 COUNT BULK PACKS IN WH OR LA (WP3481-XX-10) 50 COUNT BULK PACK IN WH (WP3481-WH-50)
WP3482-XX	Recessed Self-Terminating Keystone F-Connector (1 GHz)

COLORS: BK, BR, IV, LA, WH

COLOR KEY:

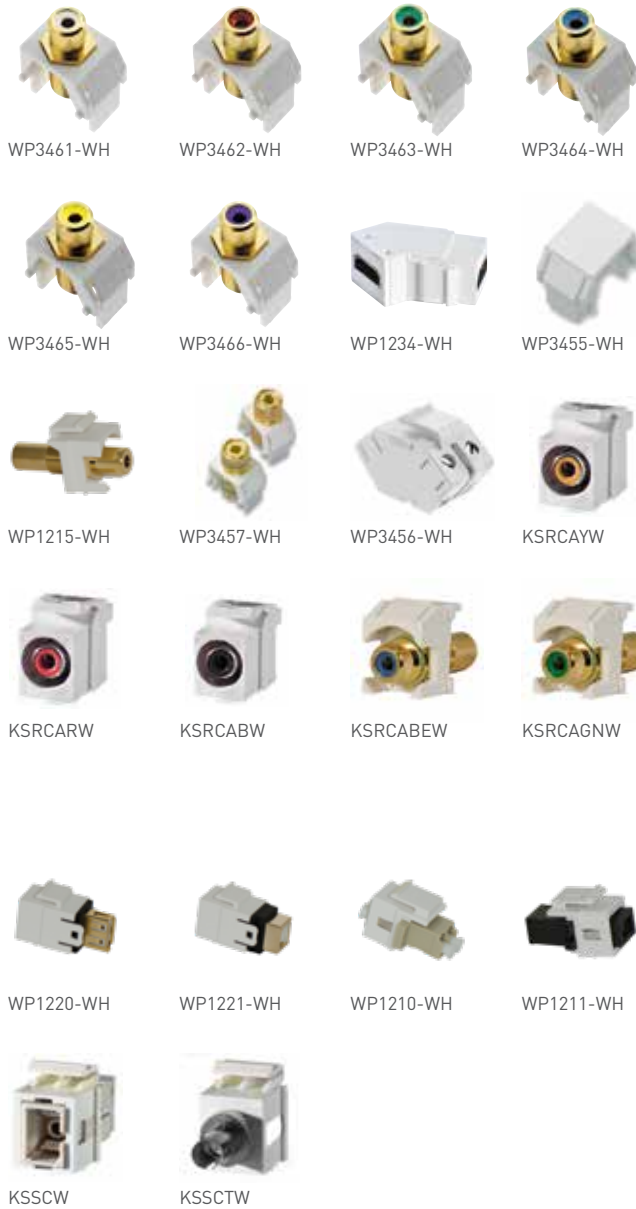


NOTE: Suffixes should be added to the end of all applicable part numbers.



DATA CONNECTIVITY

KEYSTONE INSERTS



AUDIO/VIDEO INSERTS

PART NO.	DESCRIPTION
WP3461-XX	White Keystone RCA-to-F Connector
WP3462-XX	Red Keystone RCA-to-F Connector
WP3463-XX	Green Keystone RCA-to-F Connector
WP3464-XX	Blue Keystone RCA-to-F Connector
WP3465-XX	Yellow Keystone RCA-to-F Connector
WP3466-XX	Purple Keystone RCA-to-F Connector

COLORS: BK, BR, IV, LA, WH

WP1234-XX	HDMI Keystone Coupler
	10 COUNT BULK PACK IN WH (WH1234-WH-10)
WP3455-XX	Blank Keystone Insert
WP1215-XX	3.5MM Stereo Coupler
WP3457-XX	Audio Keystone Binding Post (Pair)
WP3456-XX	Speaker Keystone Binding Post

COLORS: BK, BR, IV, LA, WH

KSRCAW	Keystone RCA-to-RCA (Yellow Insulator)
--------	--

COLORS: IV, LA, WH

KSRCARW	Keystone RCA-to-RCA (Red Insulator)
---------	-------------------------------------

COLORS: IV, LA, WH

KSRCABW	Keystone RCA-to-RCA (Black Insulator)
---------	---------------------------------------

COLORS: IV, LA, WH

KSRCABEW	Keystone RCA-to-RCA (Blue Insulator)
----------	--------------------------------------

COLORS: WH

KSRCAGNW	Keystone RCA-to-RCA (Green Insulator)
----------	---------------------------------------

COLORS: WH

USB & FIBER INSERTS

PART NO.	DESCRIPTION
WP1220-XX	USB 2.0 A/A Coupler

COLORS: BK, BR, IV, LA, WH

WP1221-XX	USB 2.0 A/B Adapter
-----------	---------------------

COLORS: BK, BR, IV, LA, WH

WP1210-XX	MTRJ Coupler MM
-----------	-----------------

COLORS: IV, LA, WH

WP1211-XX	LC Coupler MM
-----------	---------------

COLORS: IV, LA, WH

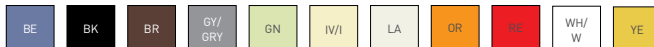
KSSCXX	SC Coupler MM
--------	---------------

COLORS: IV, LA, WH

KSSTXX	ST Coupler MM
--------	---------------

COLORS: IV, LA, WH

COLOR KEY:



NOTE: Suffixes should be added to the end of all applicable part numbers.

DATA CONNECTIVITY

KEYSTONE WALL PLATES



WP3401-WH WP3402-WH WP3403-WH WP3404-WH



WP3406-WH WP3212-WH



WP3401-SS WP3402-SS WP3403-SS WP3406-SS



WP3300-WH WP3301-WH WP3302-WH WP3303-WH



WP3304-WH WP3306-WH



KTPDL1W KTPDL2W KTPDL3W KTPDL4W KTPDL6W

COLOR KEY:

BK	SS	GY/GRY	WH/W	LA	IV/I	NI
----	----	--------	------	----	------	----

NOTE: Suffixes should be added to the end of all applicable part numbers.

WALL PLATES

PART NO.	DESCRIPTION
WP3401-XX	1-Gang, 1-Port Wall Plate 10 COUNT BULK PACK IN WH OR LA (WP3401-XX-10) 25 COUNT BULK PACK IN WH OR LA (WP3401-XX-25)
WP3402-XX	1-Gang, 2-Port Wall Plate 10 COUNT BULK PACK IN WH OR LA (WP3402-XX-10) 25 COUNT BULK PACK IN WH OR LA (WP3402-XX-25)
WP3403-XX	1-Gang, 3-Port Wall Plate 10 COUNT BULK PACK IN WH (WP3403-WH-10)
WP3404-XX	1-Gang, 4-Port Wall Plate
WP3406-XX	10 COUNT BULK PACK IN WH (WP3404-WH-10)

COLORS: BK, BR, IV, LA, WH, GY

WP3212-XX 2-Gang, 12-Port Wall Plate

COLORS: IV, LA, WH

DIMENSIONS: 1-GANG: 2.9375" X 4.6875" 2-GANG: 8.375" X 4.6875"

STAINLESS STEEL WALL PLATES

PART NO.	DESCRIPTION
WP3401-SS	1-Gang, 1-Port Wall Plate, Stainless Steel
WP3402-SS	1-Gang, 2-Port Wall Plate, Stainless Steel
WP3403-SS	1-Gang, 3-Port Wall Plate, Stainless Steel
WP3404-SS	1-Gang, 4-Port Wall Plate, Stainless Steel
WP3406-SS	1-Gang, 6-Port Wall Plate Stainless Steel

DIMENSIONS: 1-GANG: 2.9375" X 4.6875"

OVERSIZED WALL PLATES

PART NO.	DESCRIPTION
WP3300-XX	1-Gang, Blank Oversized Wall Plate
WP3301-XX	1-Gang, 1-Port Oversized Wall Plate 10 COUNT BULK PACK IN WH (WP3301-WH-10)
WP3302-XX	1-Gang, 2-Port Oversized Wall Plate 10 COUNT BULK PACK IN WH (WP3302-WH-10)
WP3303-XX	1-Gang, 3-Port Oversized Wall Plate
WP3304-XX	1-Gang, 4-Port Oversized Wall Plate
WP3306-XX	1-Gang, 6-Port Oversized Wall Plate

COLORS: WH, LA

DIMENSIONS: 1-GANG: 3.3125" X 5.0625"

LABELLED WALL PLATES

PART NO.	DESCRIPTION
KTPDL1XX	1-Gang, 1-Port Keystone Labeled Wall Plate
KTPDL2XX	1-Gang, 2-Port Keystone Labeled Wall Plate
KTPDL3XX	1-Gang, 3-Port Keystone Labeled Wall Plate
KTPDL4XX	1-Gang, 4-Port Keystone Labeled Wall Plate
KTPDL6XX	1-Gang, 6-Port Keystone Labeled Wall Plate

COLORS: I, LA, W

DIMENSIONS: 1-GANG: 2.9375" X 4.6875"

DATA CONNECTIVITY

WALL PLATES



TP13W



TP23W



TP26W



TP262W



TP263W



TP264W



TPJ13W



TPJ26W



TPJ262W



TPJ263W



TPJ264W



RWP26XX



RWP262XX



RWP263XX



RWP264XX

STANDARD DECORATOR WALL PLATES

PART NO.	DESCRIPTION
TP13XXX	1-Gang Blank Wall Plate
TP23XXX	2-Gang Blank Wall Plate
TP26XXX	1-Gang Decorator Wall Plate
TP262XXX	2-Gang Decorator Wall Plate
TP263XXX	3-Gang Decorator Wall Plate
TP264XXX	4-Gang Decorator Wall Plate

COLORS: BK, I, LA, W, GRY (FOR BROWN, LEAVE BLANK)
 DIMENSIONS: 1-GANG: 2.9375" x 4.6875" 2-GANG: 4.75" x 4.6875"
 3-GANG: 6.563" x 4.6875 4-GANG: 8.375" x 4.6875"

JUMBO DECORATOR WALL PLATES

PART NO.	DESCRIPTION
TPJ13XXX	Jumbo 1-Gang Blank Wall Plate
TPJ26XXX	Jumbo 1-Gang Wall Plate
TPJ262XXX	Jumbo 2-Gang Wall Plate
TPJ263XXX	Jumbo 3-Gang Wall Plate
TPJ264XXX	Jumbo 4-Gang Wall Plate

COLORS: BK, I, LA, W, GRY (FOR BROWN, LEAVE BLANK)
 DIMENSIONS: 1-GANG: 3.3125" x 5.0625" 2-GANG: 5.125" x 5.0625"
 3-GANG: 6.9375" x 5.0625" 4-GANG: 8.75" x 5.0625"

RADIANT WALL PLATES

PART NO.	DESCRIPTION
RWP26XX	Screwless Wall Plate, 1-Gang
RWP262XX	Screwless Wall Plate, 2-Gang
RWP263XX	Screwless Wall Plate, 3-Gang
RWP264XX	Screwless Wall Plate, 4-Gang

COLORS: W, LA, I, GRY, BK, NICC6, DBCC6 (FOR BROWN, LEAVE BLANK)

COLOR KEY:



NOTE: Suffixes should be added to the end of all applicable part numbers. OMIT COLOR CODE TO ORDER BROWN DEVICE.

DATA CONNECTIVITY

STRAPS



PART NO.	DESCRIPTION
WP3410-XX	Blank Decorator Outlet Strap
WP3411-XX	1-Port Decorator Outlet Strap
	10 COUNT BULK PACK IN WH (WP3411-WH-10)
WP3412-XX	2-Port Decorator Outlet Strap
	10 COUNT BULK PACK IN WH (WP3412-WH-10)
WP3413-XX	3-Port Decorator Outlet Strap
	10 COUNT BULK PACK IN WH (WP3413-WH-10)
WP3414-XX	4-Port Decorator Outlet Strap
WP3416-XX	6-Port Decorator Outlet Strap
COLORS:	BK, BR, IV, LA, WH, GY

SURFACE MOUNT BOXES



PART NO.	DESCRIPTION
WP3409-XX	Single Gang Surface Mount Box
WP3501-XX	Surface Mount Box 1-Port
WP3502-XX	Surface Mount Box 2-Port
WP3504-XX	Surface Mount Box 4-Port
WP3506-XX	Surface Mount Box 6-Port
COLORS:	IV, LA, WH

DATA CONNECTIVITY

PRE-MOLDED WALL PLATES & STRAPS



TPTE1W



TPTE2W



WMTE14W



SMTE14I



TPCATW



TPCATV2W



TPTELTW



26TELTW



WP2002-WH



WP3467-WH



26TE14W



26TE16W



26CATW

PART NO.	DESCRIPTION
TPTE1XX	2-Line Telephone Jack Wall Plate (4 Conductor Configuration)
COLORS:	BK, I, LA, W, GRY
TPTE2XX	Dual 2-Line Telephone Jack Wall Plate (4 Conductor Configuration)
COLORS:	BK, I, LA, W
WMTE14X	Modular Wall Mount Telephone Jack for Hanging Phones
COLORS:	W, LA, I
SMTE14I	Surface Mount Modular 2-Line Telephone Jack (4 Conductor Configuration)
COLORS:	I
TPCATVXX	1 GHz Coaxial Connector & Wall Plate
COLORS:	I, LA, W, BK
TPCATV2XX	Dual 1 GHz Coaxial Connector Wall Plate
COLORS:	I, LA, W, BK
TPTELTVXX	1 GHz Coaxial Connector & 2-Line Phone Jack Wall Plate
COLORS:	I, LA, W, BK
26TELTVCC10	1 GHz Coaxial Connector & 2-Line Phone Jack with 1-Piece Molded Decorator Plate
COLORS:	BK, I, LA, W
WP2002-WH	1-Gang 6P6C RJ25 Terminating Wall Phone Plate
COLORS:	WH
WP3467-XX	Keystone Wall Phone Plate
COLORS:	WH, SS (Stainless Steel)
26TE14XX	Decorator 2-Line Telephone Jack (4 Conductor Configuration)
COLORS:	I, LA, W
26TE16XX	Decorator 3-Line Telephone Jack (6 Conductor Configuration)
COLORS:	I, W
26CATVXX	Decorator 1GHz Coaxial Connector
COLORS:	I, LA, W
PART NO.	DESCRIPTION
WP3210-XX	1-Port Strap, 1RJ45
WP3211-XX	2-Port Strap Phone/TV
WP3220-XX	2-Port Strap Phone/Data
WP3422-XX	4-Port Strap Phone/Data, TV/AUX
COLORS:	BK, LA, WH

PRE-CONFIGURED PLATES & STRAPS



WP3210-WH



WP3211-WH



WP3220-WH



WP3422-WH

COLOR KEY:



NOTE: Suffixes should be added to the end of all applicable part numbers. OMIT COLOR CODE TO ORDER BROWN DEVICE.

DATA CONNECTIVITY

HOME THEATER WALL PLATES & STRAPS



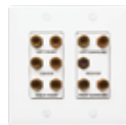
F9004-WH



F9005-WH



F9006-WH



F9008-WH-V1



WP9009-XX-V1



WP1011-WH

PART NO.	DESCRIPTION
F9004-XX	5.1 Home Theater Strap
COLORS:	BK, BR, IV, LA, WH
F9005-XX	2-Speaker Connection Strap
COLORS:	BK, BR, IV, LA, WH
F9006-XX	Single Speaker Connection Strap
COLORS:	BK, BR, IV, LA, WH
F9008-XX-V1	5.1 Home Theater Strap with Wall Plate
COLORS:	LA, WH
WP9009-XX-V1	7.1 Home Theater Strap with Wall Plate
COLORS:	DM, LA, WH
WP1011-WH	Pre-Configured HDMI 2 Port Strap
COLORS:	BK, LA, WH

CABLE ACCESS WALL PLATES



WP1014-WH



WP9001-WH



WP9002-WH

PART NO.	DESCRIPTION
WP1014-XX	Cable Access Strap
	5 COUNT BULK PACK IN WP1014-WH-5 (5 PACK)
WP9001-XX	Single Gang Bullnose Wall Plate
COLORS:	BK, LA, WH
WP9002-XX	Double Gang Bullnose Wall Plate
COLORS:	BK, LA, WH

COLOR KEY:



NOTE: Suffixes should be added to the end of all applicable part numbers. OMIT COLOR CODE TO ORDER BROWN DEVICE.



DATA CONNECTIVITY

HOME THEATER CONNECTIONS



HT2102-WH-V1



HT2103-WH-V1



HT2202-WH-V1



HT2000-WH-V1



HT2001-WH-V1



Typical installation of HT2202-WH-V1

HOME THEATER ACCESSORIES



AC2102

PART NO.	DESCRIPTION
HT2102-WH-V1	Flat Panel TV Connection Kit INCLUDES: (1) HDMI 2-PORT STRAP, (1) CABLE ACCESS STRAP (2) WALL PLATES, (1) 9FT HIGH SPEED HDMI CABLE
HT2103-WH-V1	Home Theater Connection Kit (1) RECESSED BRACKET WITH CABLE ACCESS STRAP, (1) 1-GANG WALL BOX, (1) TAMPER RESISTANT DECORATOR RECEPTACLE, (1) WALL PLATE
HT2202-WH-V1	In-Wall TV Power Kit INCLUDES: (1) POWER OUTPUT MODULE, (1) 6FT PREWIRED CORD, (1) POWER INPUT MODULE, (1) DRYWALL BRACKET, (1) POWER CORD AND CUTOUT TEMPLATE
HT2000-WH-V1	HDMI In-Wall Connection Kit INCLUDES: (2) CABLE ACCESS STRAPS (2) WALL PLATES, (1) 9FT HIGH SPEED HDMI WITH ETHERNET CABLE
HT2001-WH-V1	HDMI Premium In-Wall Connection Kit INCLUDES: (1) HDMI 2-PORT STRAP, (1) CABLE ACCESS STRAP (2) WALL PLATES, (1) 9FT HIGH SPEED HDMI CABLE

PART NO.	DESCRIPTION
AC2102	TV Box, New Construction Bracket

NOTE: USE WITH HT2102-WH-V1 AND HT2103-WH-V1

DATA CONNECTIVITY

HDMI CABLES



The Premium HDMI Cable Certification Program ensures each tested cable can support the full 18Gbps bandwidth which is needed for feature-rich 4K/UltraHD content. Cables that are tested and certified will carry this tamper-proof, anti-counterfeit label to confirm they have met the standards of the Premium HDMI Program.



AC2F10-BK



ACAA10-BK

18GBPS PREMIUM HIGH SPEED HDMI CABLE WITH ETHERNET

PART NO.	DESCRIPTION
AC2AP5-BK	5 Meter Premium High Speed HDMI Cable with Ethernet
AC2AP7-BK	7 Meter Premium High Speed HDMI Cable with Ethernet
AC2MP1-BK	1 Meter Premium High Speed HDMI Cable with Ethernet
AC2MP2-BK	2 Meter Premium High Speed HDMI Cable with Ethernet
AC2MP3-BK	3 Meter Premium High Speed HDMI Cable with Ethernet
AC2MP4-BK	4 Meter Premium High Speed HDMI Cable with Ethernet

NOTES: HDMI CERTIFIED TO ENSURE FULL 18GBPS BANDWIDTH NECESSARY FOR 4K ULTRAHD

18GBPS PREMIUM HIGH SPEED HDMI SLIM LINE CABLE WITH ETHERNET

PART NO.	DESCRIPTION
AC3MP1-WH	1 Meter Premium High Speed HDMI Slim Line Cable with Ethernet
AC3MP2-WH	2 Meter Premium High Speed HDMI Slim Line Cable with Ethernet

NOTES: HDMI CERTIFIED TO ENSURE FULL 18GBPS BANDWIDTH NECESSARY FOR 4K ULTRAHD

18GBPS AOC FIBER HDMI CABLES

PART NO.	DESCRIPTION
AC2F10-BK	10 Meter Fiber HDMI cable
AC2F20-BK	20 Meter Fiber HDMI cable
AC2F50-BK	50 Meter Fiber HDMI cable
AC2F75-BK	75 Meter Fiber HDMI cable

18GBPS ACTIVE COPPER HDMI CABLES

PART NO.	DESCRIPTION
ACAA10-BK	10 Meter Active Copper HDMI cable
ACAA15-BK	15 Meter Fiber HDMI cable



DATA CONNECTIVITY

HDMI CABLES



10GBPS HIGH SPEED HDMI WITH ETHERNET SLIM LINE CABLE

PART NO.	DESCRIPTION
AC3M01-WH-V1	1 Meter High Speed HDMI with Ethernet Slim Line Cable
AC3M02-WH-V1	2 Meter High Speed HDMI with Ethernet Slim Line Cable
AC3M04-WH-V1	4 Meter High Speed HDMI with Ethernet Slim Line Cable



AC2M01-BK

10GBPS HIGH SPEED HDMI CABLES WITH ETHERNET

PART NO.	DESCRIPTION
AC2M00-BK	0.7 Meter HDMI cable w/Ethernet
AC2M01-BK	1 Meter HDMI cable w/Ethernet
AC2M02-BK	2 Meter HDMI cable w/Ethernet
AC2M03-BK	3 Meter HDMI cable w/Ethernet
AC2M04-BK	4 Meter HDMI cable w/Ethernet
AC2M05-BK	5 Meter HDMI cable w/Ethernet
AC2M07-BK	7.5 Meter HDMI cable w/Ethernet
AC2M10-BK	10 Meter HDMI cable w/Ethernet
AC2M15-BK	15 Meter HDMI cable w/Ethernet
AC2M20-BK	20 Meter HDMI cable w/Ethernet



AC1030



AC2100



AC2101



AC2103-V1

ACCESSORIES

PART NO.	DESCRIPTION
AC1030	HDBaseT HDMI Extender THE AC1030 KIT EXTENDS HDMI AND ETHERNET SIGNALS UP TO 328 FEET USING CAT 5E OR CAT 6 WIRING. IT SUPPORTS 3D VIDEO AND 1080P RESOLUTION, WHILE DUAL IR TARGETS ALLOW THE SOURCE DEVICE TO RECOGNIZE REMOTE COMMANDS AT A SECONDARY LOCATION. KIT INCLUDES: TRANSMITTER AND RECEIVER UNITS, IR TARGETS AND TWO POWER SUPPLIES.
AC2100	HDMI Repeater COUPLES UP TO (2) 20 FT. HDMI CABLES.
AC2101	HDMI Hinged Coupler CONNECT 2 CABLES TO MAKE 90-DEGREE BENDS.
AC2103-V1	Hinged HDMI Male-to-Female Adapter

DATA CONNECTIVITY

AUDIO/VIDEO CABLES



AC2006-BK

AC2103-BK

AC2203-BK

AC2303-BK



AC2403-BK



AC2501-BK



AC2506-BK



AC2606-BK



AC2701-BK



AC2702-BK



AC2704-BK



AC2706-BK



CM1015



CM1016



CM1017



CM1018

COMPOSITE

PART NO.	DESCRIPTION
AC2006-BK	6 Feet Composite Vid L/R Audio Cable
AC2012-BK	12 Feet Composite Vid L/R Audio Cable

UNIVERSAL

PART NO.	DESCRIPTION
AC2103-BK	3 Feet Universal 1 Subwoofer Cable
AC2106-BK	6 Feet Universal 1 Subwoofer Cable
AC2112-BK	12 Feet Universal 1 Subwoofer Cable
AC2125-BK	25 Feet Universal 1 Subwoofer Cable
AC2203-BK	3 Feet Universal 2 L/R Audio Cable
AC2206-BK	6 Feet Universal 2 L/R Audio Cable
AC2303-BK	3 Feet Universal 3 Component Video Cable
AC2306-BK	6 Feet Universal 3 Component Video Cable
AC2312-BK	12 Feet Universal 3 Component Video Cable
AC2325-BK	25 Feet Universal 3 Component Video Cable

TOSLINK

PART NO.	DESCRIPTION
AC2403-BK	3 Feet Toslink w/Mini Audio Cable
AC2406-BK	6 Feet Toslink w/Mini Audio Cable
AC2412-BK	12 Feet Toslink w/Mini Audio Cable
AC2425-BK	25 Feet Toslink w/Mini Audio Cable

3.5 MM

PART NO.	DESCRIPTION
AC2501-BK	6 Inches Stereo 3.5 mm Y M/2F Adapter
AC2506-BK	6 Feet Stereo 3.5 mm M/F Audio Cable
AC2512-BK	12 Feet Stereo 3.5 mm M/F Audio Cable
AC2606-BK	6 Feet Stereo 3.5 mm M/M Audio Cable
AC2612-BK	12 Feet Stereo 3.5 mm M/M Audio Cable
AC2625-BK	25 Feet Stereo 3.5 mm M/M Audio Cable

RCA

PART NO.	DESCRIPTION
AC2701-BK	6 Inches RCA Y M/2F Adapter
AC2702-BK	6 Inches RCA Y F/2M Adapter
AC2704-BK	RCA Coupler Pair
AC2706-BK	6 Feet 3.5 mm to L/R RCA Audio Cable
AC2712-BK	12 Feet 3.5 mm to L/R RCA Audio Cable
AC2725-BK	25 Feet 3.5 mm to L/R RCA Audio Cable
CM1015	RCA to RCA Y Splitter Cable - Yellow (1 ft)
CM1016	RCA to RCA Y Splitter Cable - White (1 ft)
CM1017	RCA to RCA Patch Cable (1 ft)
CM1018	Audio Mini Patch Cable (1 ft)

DATA CONNECTIVITY

PATCH CABLES



AC6A07-GY-V1



AC3607-BE-V1



AC3507-WH-V1



CAT 6A PATCH CABLES

PART NO.	DESCRIPTION
AC6A07-GY-V1	7 Foot Cat 6a Patch Cable
AC6A14-GY-V1	14 Foot Cat 6a Patch Cable
AC6A25-GY-V1	25 Foot Cat 6a Patch Cable
AC6A50-GY-V1	50 Foot Cat 6a Patch Cable

- 500MHZ PATCH CABLE FULLY SUPPORTS 10 GIGABIT ETHERNET SPEEDS
- UL VERIFIED TO SUPPORT THE CAT 6a PERFORMANCE PATCH CABLE SPECIFICATION
- SNAGLESS OVERMOLD PREVENTS INSERTION TAB FROM CATCHING ON OTHER CABLES
- 22 AWG STRANDED PATCH CABLE

CAT 6 PATCH CABLES

PART NO.	DESCRIPTION
AC3607-BE-V1	7 Foot Cat 6 Patch Cable
AC3614-BE-V1	14 Foot Cat 6 Patch Cable
AC3625-BE-V1	25 Foot Cat 6 Patch Cable
AC3650-BE-V1	50 Foot Cat 6 Patch Cable

- 250MHZ PATCH CABLE FULLY SUPPORTS 10 GIGABIT ETHERNET SPEEDS
- UL VERIFIED TO SUPPORT THE CAT 6 PERFORMANCE PATCH CABLE SPECIFICATION
- SNAGLESS OVERMOLD PREVENTS INSERTION TAB FROM CATCHING ON OTHER CABLES
- 22 AWG STRANDED PATCH CABLE

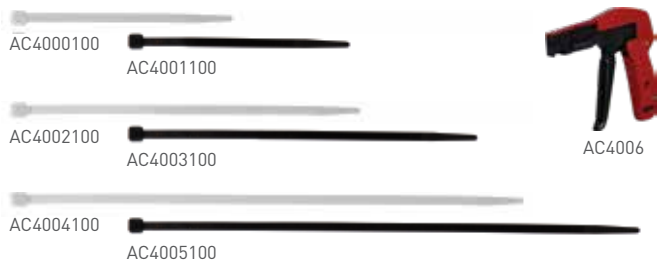
CAT 5E PATCH CABLES

PART NO.	DESCRIPTION
363201-26-V1	1 Foot Cat 5e Patch Cable
363201-25-V1	2 Foot Cat 5e Patch Cable
AC3503-WH-V1	3 Foot Cat 5e Patch Cable
AC3507-WH-V1	7 Foot Cat 5e Patch Cable
AC3514-WH-V1	14 Foot Cat 5e Patch Cable
AC3525-WH-V1	25 Foot Cat 5e Patch Cable
AC3550-WH-V1	50 Foot Cat 5e Patch Cable

- 100MHZ PATCH CABLE SUPPORTS 10 GIGABIT ETHERNET SPEEDS
- UL VERIFIED TO SUPPORT THE CAT 5e PERFORMANCE PATCH CABLE SPECIFICATION
- SNAGLESS OVERMOLD PREVENTS INSERTION TAB FROM CATCHING ON OTHER CABLES
- 24 AWG STRANDED PATCH CABLE

DATA CONNECTIVITY

CABLE TIES



PART NO.	DESCRIPTION
AC4000100	4.75 Inch, Natural, Cable Ties (100 Pack)
AC4001100	4.75 Inch, Black, Cable Ties (100 Pack)
AC4002100	7.5 Inch, Natural, Cable Ties (100 Pack)
AC4003100	7.5 Inch, Black, Cable Ties (100 Pack)
AC4004100	11 Inch, Natural, Cable Ties (100 Pack)
AC4005100	11 Inch, Black, Cable Ties (100 Pack)
AC4006	Cable Tie Tool

NOTE: FOR CONSISTANT AND CLEAN INSTALLATIONS USE WITH CABLE TIE TOOL, AC4006

PATCH PANELS



PART NO.	DESCRIPTION
24845C5E	Category 5e 24-Port T568A/B Universal Wiring
48845C5E	Category 5e 48-Port T568A/B Universal Wiring
24845CC6	Category 6 24-Port T568A/B Universal Wiring
48845CC6	Category 6 48-Port T568A/B Universal Wiring
	<ul style="list-style-type: none"> • 24 PORT PATCH PANEL USES 1 RACK MOUNT SPACE • 48 PORT PATCH PANEL USES 2 RACK MOUNT SPACES • 110 PUNCHDOWN REAR TERMINATION
WP24RM	24 Port Keystone Blank
WP48RM	48 Port Keystone Blank
AC1902	2 U Wall Mount Rack with Extenders
12845C5E89	12-Port T568A/B Universal Wiring
PS665089V	50-Pair 66 Block, Unwired & Mounting Bracket
PS11050KIT4V	50-Pair 110 Kit with Legs
	INCLUDES: 110 PUNCH DOWN BLOCK WITH STAND-OFF LEGS, 10 C5 CLIPS, AND LABEL BAR.
WP246A	Cat 6A 24 Port Rack Mount Patch Panel
WP486A	Cat 6A 48 Port Rack Mount Patch Panel

INSTALLATION TOOLS & CONNECTORS

TOOLS



362721-02

363292-01

364406-01

364555-01

AC1018

AC3007

PART NO.	DESCRIPTION
362721-02	RG-6 Coax Stripper
363292-01	Cat 5e Strip and Fit Tool
364406-01	High Performance RJ45 Modular Plug Hand Tool
364555-01	EZ RJ-45 Modular Plug Hand Tool
AC1018	Radial Taper Compression Tool (use with 364246-01 Coax F Plug)
AC3007	Adjustable Compression Tool

CONNECTORS



364405-01

AC3000100

AC345050

AC346025

WP3483-01

AC3001-10

AC3002-10

AC3003-10

AC3004-10

AC3005-10

AC3006-10

AC3008-10

PART NO.	DESCRIPTION
364405-01	High Performance RJ45 Modular Plugs (25 Pack)
AC3000100	360 Conical Coax F Plug (100 Pack)
AC345050	EZ-RJ45 Modular Cat 5e Plug (50 Pack)
AC346025	EZ-RJ45 Modular Cat 6 Plug (25 Pack)
WP3483-01	Banana Plugs (pair)
AC3001-10	Compression RG6U/Quad F Plug, 10 Pack
AC3002-10	Compression RG6U/Quad 3 GHz F Jack, 10 Pack
AC3003-10	Compression RG6U/Quad Shield BNC Plug, 10 Pack
AC3004-10	Compression RG6U/Quad Shield RCA Plug, 10 Pack
	50 PACK ALSO AVAILABLE, AC3004-50
AC3005-10	Compression RG6U/Quad Shield Right Angle RCA Plug
AC3006-10	Nickle F-81 1 GHz Coupler, 10 Pack
	50 PACK ALSO AVAILABLE, AC3006-50
AC3008-10	Compression RG6U/Quad F Plug 10 Pack
	50 PACK ALSO AVAILABLE, AC3008-50

RESOURCES & SUPPORT

TECH SUPPORT

Need help on the job? Legrand's expert team of support specialists are available Monday through Friday, from 8:30 am to 6:30 pm Eastern Time, to answer your product or installation questions. The staff can be reached during these standard hours by any of the below options:

Phone: 800.223.4162, Option #3, then Option #2 or 1-717-546-5412

Email: technical.support-hs@legrand.us

Live Chat: available through the www.legrand.us website

CUSTOMER SERVICE

Friendly and knowledgeable, our team can handle a wide variety of needs and requests – from order processing to system registration – and is available Monday through Friday, from 9 am to 6 pm Eastern Time.

Phone: 844.334.8044

Email (general inquiries): customer.support.lv@legrand.us

Email (orders): us-syr-orders@legrand.us

TRAINING

Knowledge is power, and Legrand offers a wealth of product, industry, and installation knowledge through our in-person and online courses.

Visit the Legrand University at <http://go.bluevolt.com/Legrand> for convenient online courses you can complete at your own pace, recordings of past webinars to catch anything you may have missed, and a complete schedule of upcoming FREE webinars and in-person training events.

designed to be better™



301 Fulling Mill Road, Suite G
Middletown, PA 17057
(800) 321-2343
www.legrand.us/onq

570 Applewood Crescent
Vaughan, Ontario L4K 4B4
905.738.9195
www.legrand.ca

Follow Us

