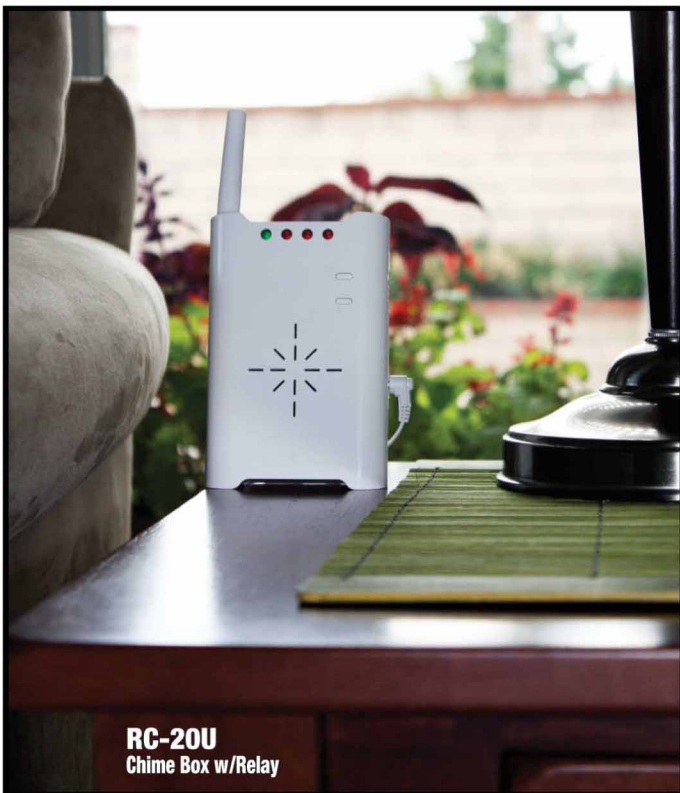




Wireless Driveway and Entry Announcer **WIRELESS 2000** Annunciator System

Chime Box w/Relay In/Outdoor Sensor Transmitter Repeater Door/Window Contact WirelessT ransmitter Push Button Transmitter

RC-20U/TD-20U/TR-10U/TC-10U/TS-10U



RC-20U
Chime Box w/Relay



THE BEST WIRELESS SYSTEM JUST GOT BETTER!

Now With 2000ft. Transmission Range!*

OPTEx now brings the benefits of its advanced wireless technology in the form of greater RF transmission range with the new Wireless 2000 driveway and entry announcer.

The system can be installed anywhere easily and quickly with no wiring and now allows for 2000ft. line of sight transmission range. For additional range and protection add the TR-10U Repeater and TC-10U door contact/wireless transmitter.

Whether it is for home or business, indoor or outdoor, the Wireless 2000 is the ideal choice for perimeter awareness and wireless remote control.



TD-20
In/Outdoor Sensor Transmitter



TC-10
In/Outdoor Sensor Transmitter



TR-10
Repeater



TS-10
Push Button Transmitter

No Complex Wiring, Easy & in All Locations!

The OPTEX Wireless 2000 Annunciator System alerts you by 3 different chime tones and/or activates other electric devices (e.g. door strikes, lights, siren, CCTV) with relay output (RC-20U).

The system can be triggered by TD-20U motion detectors, TC-10U door contacts or manually by the TS-10U hand-held push-button transmitter. The transmission range can be extended by using the TR-10U Repeater.

Wireless 2000 offers you comfort and convenience in personal and commercial applications without complex wiring.

Wireless 2000 for Safety & Convenience

No more surprises!

The OPTEX Wireless 2000 monitors your property 24 hours a day to detect approaching vehicles and people, giving you time to prepare.

No more missed visitors or deliveries!

The OPTEX Wireless 2000 serves as a welcome chime or perimeter alert for your home or shop.

No more hard to reach switches!

The OPTEX Wireless 2000 works as a convenient wireless switch for activating a variety of electric equipment (e.g. doorstrikes / magnetic locks, lights, sirens, motors).

RC-20U CHIME BOX WITH RELAY

- Accepts 9 transmitters, identifies each group of three with different chime tone
- Operates with 9VDC adapter (included)
- Wall mount or table mount design
- Form C relay for activating other devices (50V AC 1A max. or 24V DC 1A max.) with adjustable output duration

TD-20U IN/OUTDOOR SENSOR TRANSMITTER

- 2000ft. transmission range (line of sight)
- Uses passive infrared to detect motion and send RF signals to receivers
- Weather proof housing (IP54 rating) for both indoor and outdoor use
- Choose 50ft. Long Range or 17ft. Fan (Wide) detection pattern
- Operates on a 9V lithium or alkaline battery

TR-10U REPEATER

- Compatible with RC-20U, TD-20U, TC-10U, TS-10U
- Identifies zone by LED light
- Can accept up to 4 transmitters
- Low battery indicator
- Push button switches to select function
- Powered by 9V AC adaptor (included)

The New TC-10

Door Contact / Wireless Transmitter



Install the new TC-10 in the backbox of any of Optex's battery operated, wireless ready detectors for extended detection range and wireless notification to your RC-20 chime box. Instantly monitor larger areas for a greater sense of protection.

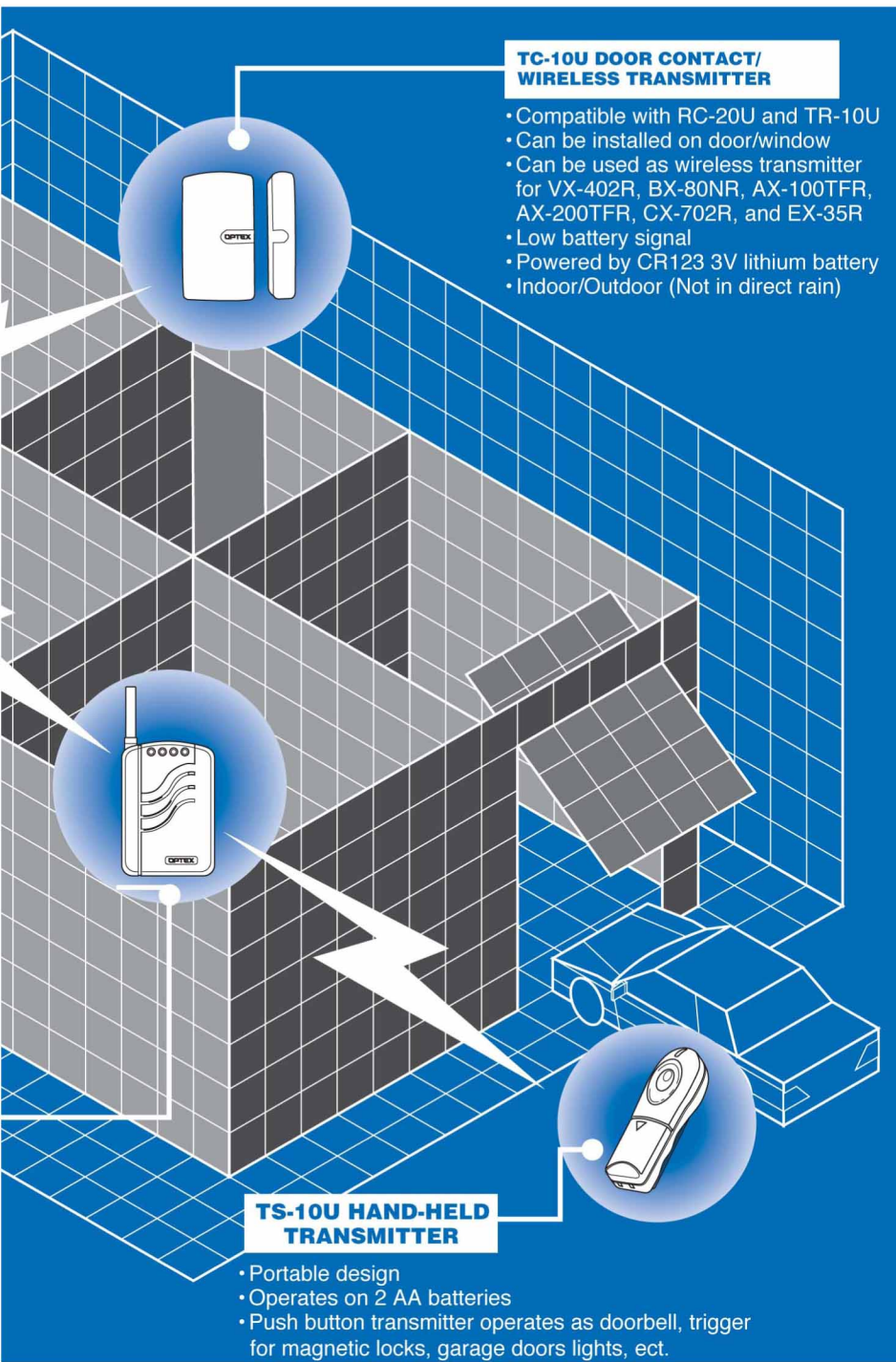
The New TR-10

Repeater



The new TR-10 repeater is perfect for areas where a clear line of sight is not achievable, resulting in shortened transmission ranges. It can also be used to extend normal the transmission range between the RC-20 chime box and the TD-20U, TS-10U, and TC-10U, resulting in a greater protection area.

Quick Installation



**TC-10U DOOR CONTACT/
WIRELESS TRANSMITTER**

- Compatible with RC-20U and TR-10U
- Can be installed on door/window
- Can be used as wireless transmitter for VX-402R, BX-80NR, AX-100TFR, AX-200TFR, CX-702R, and EX-35R
- Low battery signal
- Powered by CR123 3V lithium battery
- Indoor/Outdoor (Not in direct rain)

**TS-10U HAND-HELD
TRANSMITTER**

- Portable design
- Operates on 2 AA batteries
- Push button transmitter operates as doorbell, trigger for magnetic locks, garage doors lights, ect.

Long RF Transmission & Reliable Operation

Newly developed non-directional antenna (TD-20U)

All wireless transmitters have 'dead spots' within their transmission range. TD-10U's improved antenna design greatly reduces 'dead spots' to make installation easier and increase reliability.

"Best In Its Class" maximum transmission range

TD-20U.....	2,000ft
TS-10U.....	700ft
TC-10U.....	700ft
TR-10U (TD-20U to Repeater).....	1,000ft
TR-10U (TC & TS-10U to Repeater).....	700ft
TR-10U (Repeater to Receiver).....	1,000ft

These measurements were obtained with receivers and transmitters mounted 7ft. above level ground without obstructions. Natural and man-made obstructions and other environmental factors do shorten transmission ranges.

Simple, automated set-up

Setup is simple! Just two buttons perform all set up functions.

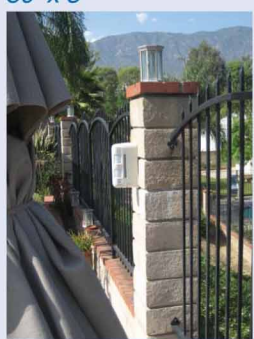
More than 8 million codes

Transmission codes are preset at the factory with over 8 million possibilities, virtually eliminating the possibility of interference or crosstalk.

Low battery signal

Low battery indication by tone (RC-20U) and LED (all models) tells you when to replace batteries and prevents malfunctions.

BX-80NR
80' x 3'



VX-402R
40' x 40'



Use the TC-10U wireless transmitter with the wireless ready BX-80NR for 80' x 3' coverage of fence and window lines, roll-up doors, ect. Use with the VX-402R for 40' x 40' coverage perfect for pool areas, alley ways, ect. Instantly receive a chime on the RC-20U when each detection area is breached.

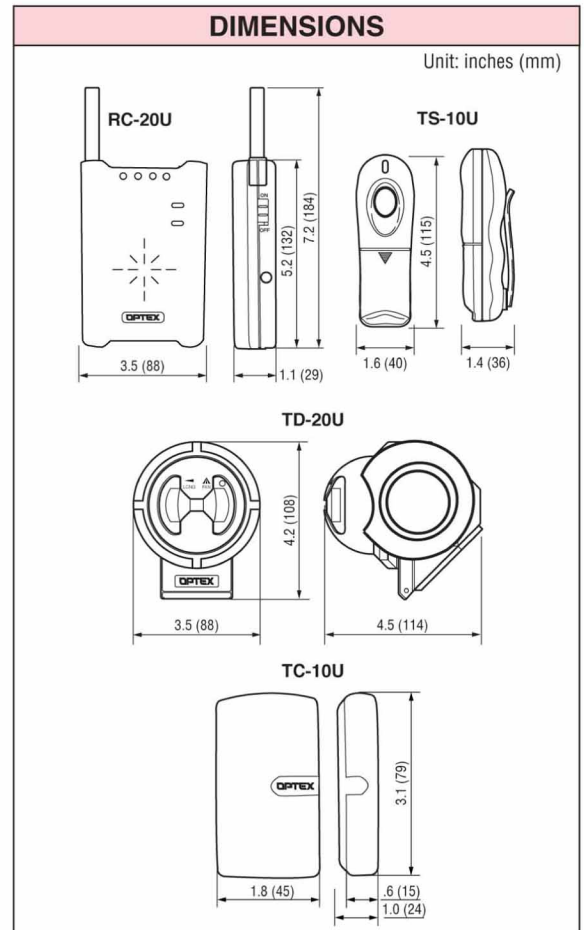
AX-100TFR / AX200TFR
100' and 200' Photobeams



Use the TC-10U wireless transmitter with the wireless ready AX-TFR Series for perimeter protection, fence and window lines, roll-up doors, ect. Instantly receive a chime on the RC-20U when the 100' or 200' beam is breached.

SPECIFICATIONS					
Model	RC-20U	TR-10U	TD-20U	TS-10U	TC-10U
Description	Chime Box w/Relay	Repeater	In/Outdoor Sensor transmitter	Hand-Held transmitter	Door Contact/Wireless transmitter
Detection method	—	—	Passive infrared	Push button	Built in magnet
Detection pattern	—	—	50ft (15m) long range 17ft (5m) fan pattern	—	—
Angle adjustment	—	—	90° vert. & ±5° horizontally or ±5° vert. & 90° horizontally	—	—
Power source	DC 9V (exclusive AC adaptor)	DC 9V (exclusive AC adaptor)	9V: alkaline battery	AA x 2 alkaline batteries	CR123 3V Lithium battery
Power consumption	Standby: 1W, Operating: 2W	Standby: 1W, Operating: 2W	—	—	—
Battery life	—	—	Approx. 2yrs [250/day at 70°F (20°C)]	Approx. 2yrs [100/day at 70°F (20°C)]	Approx. 2yrs [100/day at 70°F (20°C)]
Chime tone	3 tone & 1 alarm (optional)	—	—	—	—
Volume	Adjustable: 0~80dB/5 levels (Continuous zone: max.)	—	—	—	—
Relay output	50V AC 1A max or 24V DC 1A max.	—	—	—	—
Output timer	Selectable: off/1/5/30/60sec/ utility output mode	—	—	—	—
Status indicator	Power indicator: green LED Zone indicator: red LED x 3	Power indicator: green LED Zone indicator: red LED x 3	Red LED	Red LED	Red LED
Radio frequency	418MHz	418MHz	418MHz	418MHz	418MHz
Max. trans range	—	—	1000ft (line of sight)	700ft (line of sight)	700ft (line of sight)
Operating temp.	15°F~104°F (-10°C~+40°C)	15°F~120°F (-10°C~+50°C)	15°F~120°F (-10°C~+50°C)	15°F~120°F (-10°C~+50°C)	15°F~120°F (-10°C~+50°C)
Water resistance	—	—	IP54	—	—
Installation location	Indoor	Indoor	Outdoor/Indoor	Indoor	Indoor/Outdoor
Weight	6.0oz (170g)	6.0oz (170g)	6.3oz (180g)	1.4oz (40g)	2.5oz (70g)
Accessories	AC adaptor x 1 Mounting screw x 1	AC adaptor x 1 Mounting screw x 1	Mounting screw x 2	Belt clip x 1	Double stick tape x 3 Screw x 4, Washer x 2

OTHER APPLICATIONS					
RC-20U Chime Box Receiver W/Relay		TD-20U In/Outdoor Sensor		TC-10U Door/Window Contact Wireless Transmitter	TS-10U Hand-Held Push Button
		Fan (wide) angle	Long range		
•	Driveway annunciator		•		
•	Entry/Walkway chime	•	•		
•	Wireless doorbell	•			•
•	Warehouse delivery areas	•	•		
•	Construction site guard	•	•		
•	Monitor hard to see or shoplifting prone items	•			
•	Inside display cases at jewelry stores	•			
•	Anti-vandalism at art galleries	•	•		
•	Loss Prevention: Monitor department store dressing rooms and fitting rooms	•			
•	Annunciate unauthorized use of emergency exits	•	•	•	
•	Signaling for drive-up window		•		
•	Location finder for blind				•
•	Delivery doors, roll-up, or bay doors		•	•	
•	Monitor supplies: Place in supply room or closet	•			
•	Release door strike or magnetic lock	•	•		•
•	Annunciate activity at CCTV camera	•	•		
•	Monitor home or business entry points	•		•	
•	Expand detection using Optex's battery operated detectors			•	



NOTE: Specifications may change without notice. RC-10, RG-10, TD-10 and TS-10 are not theft prevention units. OPTEX can not assume responsibility for a theft, should it occur. All products listed comes with 2-year warranty.



OPTEX AMERICA, INC.
 13661 Benson Ave, Chino CA 91710
 Phone: (800) 966-7839 Fax: (909) 628-5560
 www.optexamerica.com