

Paxton Exit - E50, E75

System specifications

Cable Length	5m/16ft (Screw connector - None)	
Cable extension length and type	≤ 25m/82ft	Belden 9538/ Belden 5506FE (USA) General Cable equivalent C0744A/ General Cable equivalent E2008S
	≤ 100m/328ft	Belden 9540/ Belden 5306FE (USA) General Cable equivalent C0745A/ General Cable equivalent E2038S

Additional coloured covers available Yes

Handsfree compatible No

Electrical

Operating Voltage 10V - 14V DC

Current consumption 70mA

Environment

Operating temperature -20°C - +55°C
-4°F - +131°F

Moisture resistance No

Vandal Resistance Medium

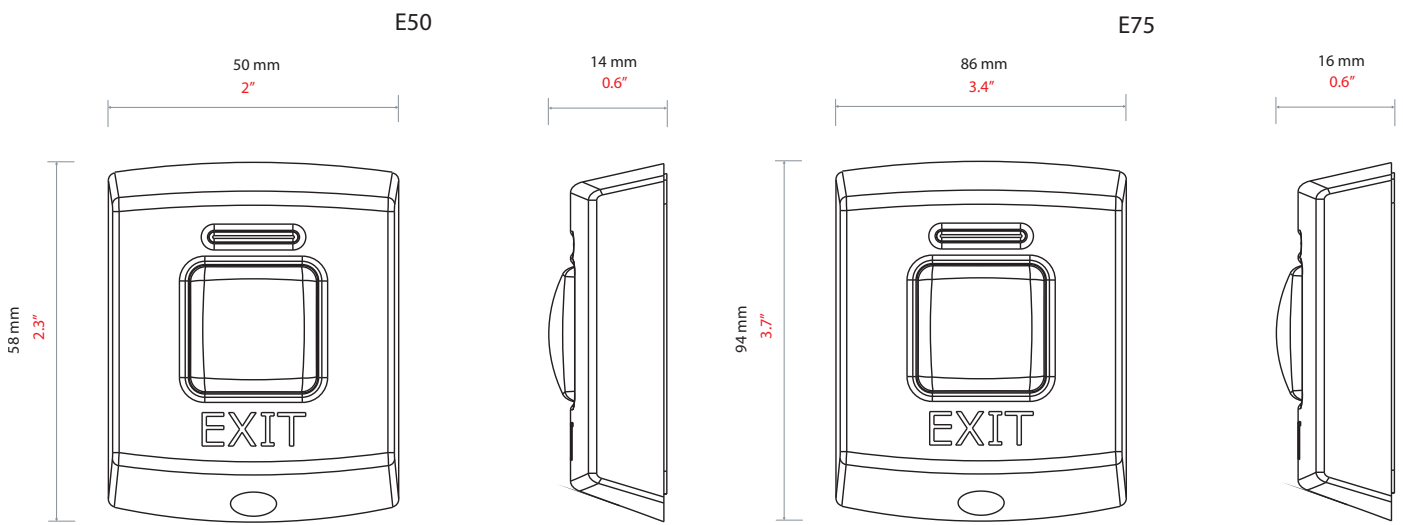


Exit buttons may be used with Compact, Switch2 or Net2 systems. They are supplied with a choice of black or white covers. The E series exit buttons are available in three sizes and are only suitable for interior use.

The E75 exit button fits on a standard UK recessed backbox.

The green LED is lit continuously. When the exit button is pressed, the green LED flashes to indicate that the door is unlocked (only when used with Switch2 and Net2).

EXIT



Accessories and sales codes

Paxton Exit button - E50

356- 310-US

Paxton Exit button - E75

376-310-US