

S735 7165-0328: 0198

Product includes a 5 year warranty

**Features**

- No special wiring for SLC or P-Link connection
- Class A or B capable
- Mounts with included stacker bracket
- May mount in panel, accessory cabinet, or PSN-1000/E Power Supply
- Maximum 1 SLCE-127 for PFC-6200
- Maximum 7 SLCE-127 for PFC-6800
- Size (W x H x D) is 4" x 6" x 1-5/8"

*Electrical Specs*

- 60 mA alarm current
- 60 mA standby current

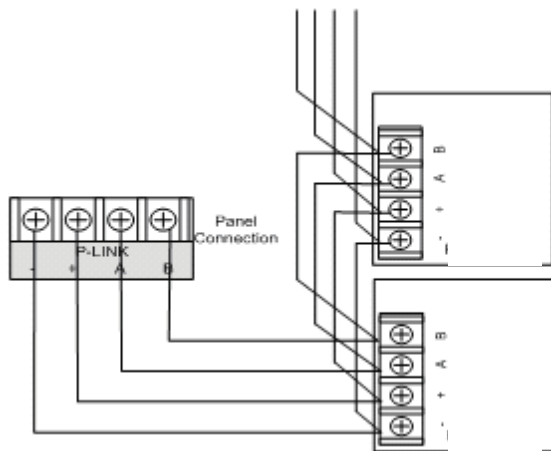
**Description**

The Signaling Line Circuit Expander (SLCE-127) allows for an additional loop for the PFC-6200 and up to seven additional loops for PFC-6800 fire alarm control panels. Each loop adds 127 addressable sensors or modules in any combination. The SLCE-127 may be configured for Class A or Class B wiring without the need for additional modules. The SLCE-127 communicates with the control panel via the Potter P-Link communication bus. The loop adder is mounted in either the control panel cabinet, the intelligent power supply/P-Link repeater, the PSN-1000E, AE-8 or the AE-14 expander cabinet. Each card is mounted to the exclusive Stacker Bracket for secure and accessible mounting.

**Installation**

The SLCE-127 is connected to the PFC-6000 series panels using a four wire RS-485 connection. This connection is power limited and supervised. The SLCE-127 can be installed in the AE-8 Accessory Enclosure, AE-14 Accessory Enclosure or inside the large PFC series enclosure using the supplied bracket.

**SLCE-127 Class B P-LINK Wiring Example**



**SLCE-127 Class A P-LINK Wiring Example**

