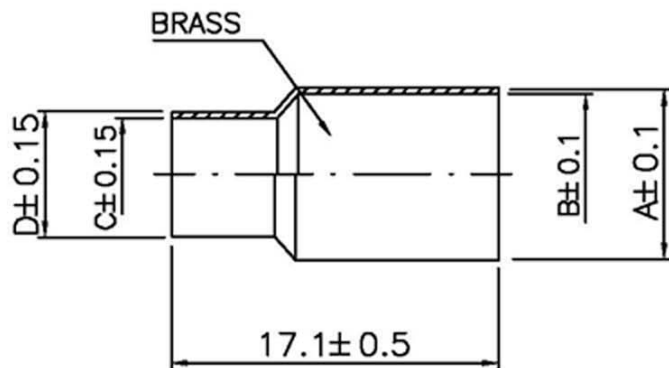


RG/58U & RG/59U TEFLON		RG/59U, RG/62U & RG/6U TEFLON		RG/6U	
A	∅9.0	A	∅9.0	A	∅9.0
B	∅8.4	B	∅8.4	B	∅8.4
C	∅5.5	C	∅6.5	C	∅7.1
D	∅6.5	D	∅7.2	D	∅8.0



				DESCRIPTION	2-PC 50 Ohm Crimp-On BNC Male with 3 Ferrules	SCALE	3/1	UNITS:MM	SRD ANGLE
APPROVED	CHECKED	DRAWING	DESIGNED	MODEL NO	CBN-2125	△			
				DRAWING NO		△			
		陈家进	陈家进	FINISHING		△	2008/10/07		A1
				MATERIAL		SYE	DATE		REVISION

QR-025 2003.03.20, A1