

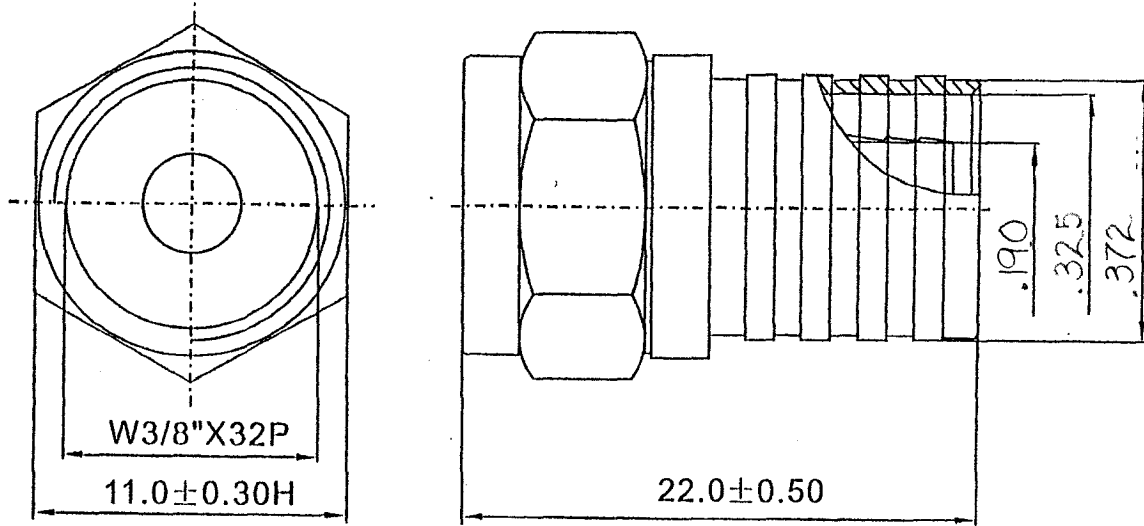


TECHNOLOGY
INTERNATIONAL, Inc.

CFC-7114

1 PIECE F MALE CRIMP / RG-6

Experience the Difference —



ELECTRICAL SPECIFICATIONS:

STANDARD CROSS REFERENCE

VOLTAGE RATING
WITH STANDING VOLTAGE
INSULATION RESISTANCE
CONTACT RESISTANCE
IMPEDANCE
VSWR
: RCZ-6015
: AC 150V
: AC 500V ONE MINUTE

: 500 M Ω MINUTE DC 500V
: 50 M Ω AT DC 1A
: 75 Ω
: 1.2 Max 0 ~ 1500MHz
F-TYPE CONNECTORS ARE OF
LOW PRICE AND DEVELOPED
FOR NTSC TV ANTENNA ETC.