

Photoelectric Beam Sensor

E-931-S35RRQ

Range: 35 feet

Features:

- ▶ For outdoor gates, garage doors, etc.
- ▶ Operates from 12~240VDC, 24~240VAC.
- ▶ Weatherproof (IP 66) construction for indoor/outdoor usage.
- ▶ Pre-wired 6 feet cord.
- ▶ Bracket and mounting hardware included for both sensor and mirror.
- ▶ Adjustable sensing distance.
- ▶ Compact size.



Optional Accessories:

E-931ACC-HR

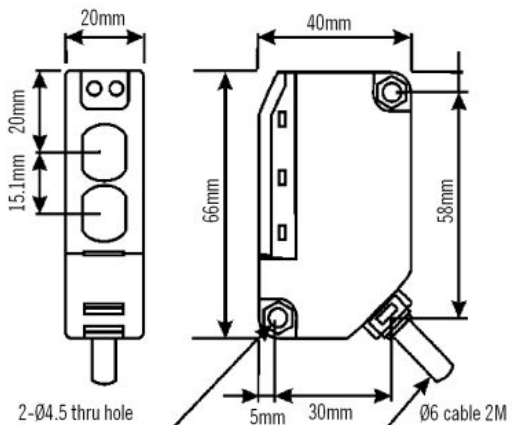


E-931ACC-RC



- ▶ Fits both type of reflector
- ▶ Round reflector

Dimensions:



Technical Specifications:



		E-931-S35RRQ	
Sensing Range:	0.5' to 35' (0.1 - 11m)		
Supply Voltage:	12-240VDC or 24-240VAC		
Current Drain	12VDC	Standby	Active
	24VDC	20mA	40mA
		10mA	20mA
Response Time:	10ms (Max)		
Light Source:	IR LED		
LEDs:	Yellow LED (Standby) Red LED (Active)		
Output:	SPDT Relay output		
Switching Capacity:	250VAC/1A, 30VDC/2A		
Enclosure:	IP 66 Weatherproof		
Ambient Temp:	-4° - 131 °F (-20° - 55 °C)		

Installation:

