



DK-16

Digital Keypad System

Secure, Easy-to-Program Single Door Control System

The DK-16 digital keypad system provides medium/high security control of electric locks in a one- or two-door application where both doors have the same control needs. The tamper-resistant 3x4 keypad provides true 10-key operation for use and programming. Encased in a separate enclosure for secure installation in a protected area, the controller offers REX input and relay output for lock control, alarm shunt or other interfaces.

PRODUCT FEATURES

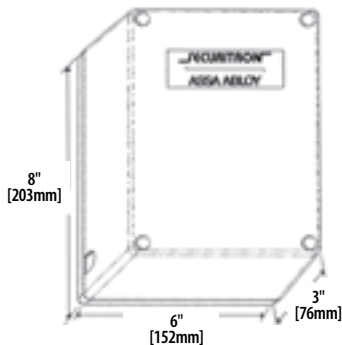
- 12 key 3x4 keypad with engraved and paint filled numbers
- Stainless steel plate
- Red, green and yellow LEDs for status and programming feedback
- Audible keystroke echo
- Controller mounted in plastic enclosure
- 59 users
- User code and/or hard code disable feature
- 5 Amp DPDT relay output
- Request-to-exit (REX) input
- True 10 digit operation (keys are not paired), 3 LEDs and a beeper
- 16 ft. [4.8m], 12 conductor, 22 gauge keypad cable
- MagnaCare Lifetime Replacement No Fault Warranty

SPECIFICATIONS

Dimensions:
Keypad: 2-3/4"W x 4-1/2"H x 5/32"D
Enclosure: 6"W x 8"H x 3"D
Electrical:
 7mA at rest; 160mA active at 12VAC or 12VDC
 20mA at rest; 190mA active at 24VAC or 24VDC
Operating Temperature:
CPU: +32 to +158F [0 to +70C]
Keypad: +32 to +110F [0 to +43C]
 Primarily for indoor use
Shipping Weight: 4.2lbs [1.91kg]
Finishes: US32D/630 — Satin Stainless Steel

PRODUCT OPTIONS

- Weather-resistant cover
- Weather-resistant back box
- Keypad available as system or separately



» MODELS

PART #	Description
DK-16	Digital Keypad System - Indoor, Single Gang
DK-16P	Digital Keypad Pad - Indoor, Single Gang
WBB	Weather Back Box
WCC	Weather Cover - Clear

