



# Magnalock® Brackets & Accessories



## Installation Kit (IK)

Securiton's original Installation Kit

<b>SDG-1</b>	Heavy Duty Drill Guide	<b>TL-1</b>	Threadlock
<b>BPT-2</b>	Blind Nut Placement Tool	<b>COD-125</b>	1/8" Cobalt Drill Bit
<b>SB-1</b>	Sex Bolt- 32/62/82	<b>COD-375</b>	3/8" Cobalt Drill Bit
<b>SD-375</b>	T-Handle Hex Wrench	<b>CAD-375</b>	3/8" Carbide Drill Bit
<b>SEP-1</b>	Hardware Pack- 62/82	<b>HS-500</b>	1/2" High Speed Drill Bit
<b>SEP-2</b>	Hardware Pack- 32	<b>BN-250</b>	Blind Nuts
<b>RW-1</b>	Rubber Washers	<b>FC-1</b>	Finish Caps
<b>FW-1</b>	Flat Washers		
<b>ICC-1</b>	Insulated Crimpers	<b>IK</b>	All Listed Components

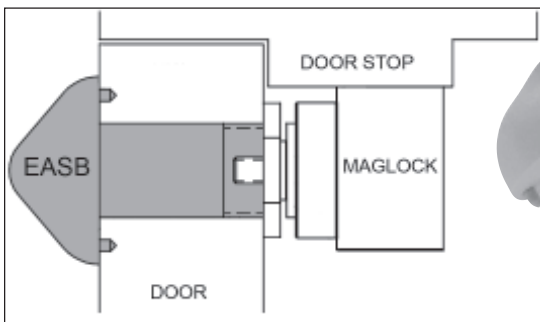
## Condensed Intallation Kit (IK2)

Just the essentials

<b>SDG-1</b>	Heavy Duty Drill Guide
<b>BPT-2</b>	Blind Nut Placement Tool
<b>TL-1</b>	Threadlock
<b>BN-250</b>	Blind Nuts
<b>IK2</b>	All Listed Components



The complete IK and IK2 kits provide substantial savings over purchasing the same items separately

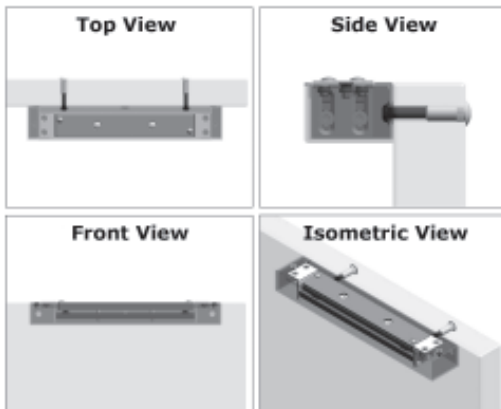


## Energy Absorbing Sex Bolt (EASB)

- For high security applications on inflexible doors
- Replaces the standard sex bolt
- Contains a powerful internal spring to absorb and dissipate the force of a blow

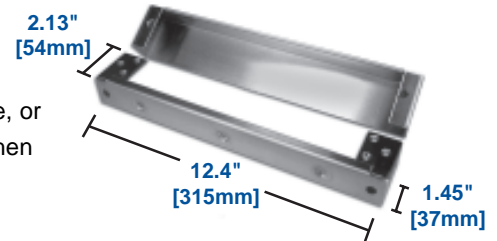
**EASB-62** Sex Bolt, Energy Absorbing M62/M68

**EASB-82** Sex Bolt, Energy Absorbing M82



## SAM Surface Mount Kit

- For specialty applications
- Permits the SAM magnet, strike, or both to be surface mounted when mortising is not possible



**SMLS** Surface Mount Lock Housing

**SMSS** Surface Mount Strike Housing