



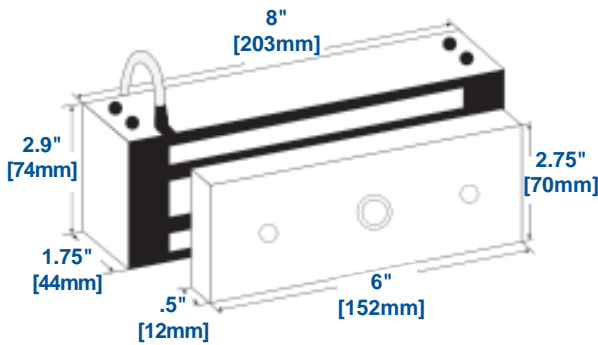
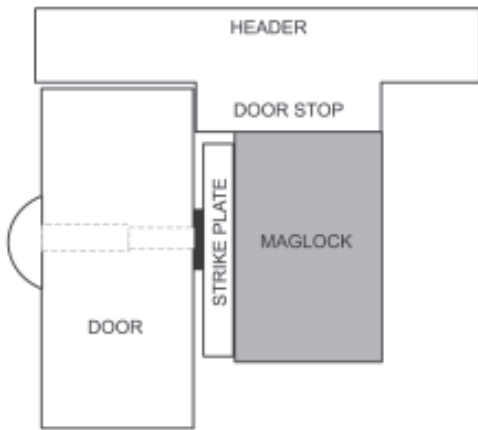
# M62 1200lb Holding Force Magnalock®



**Application** - 1200 lb. holding force Magnalock with automatic dual voltage. Recommended for exterior and perimeter doors through which criminals could gain entrance to cause substantial economic loss.

## Features and Benefits

- Patented instant release circuit - no residual magnetism
- Fully sealed electronics - tamper proof and weatherproof
- Mounted using steel machine screws into blind finishing nuts
- Architectural brushed stainless steel finish (US32D/630)
- All ferrous metal surfaces plated to MIL specification
- Hardware accessories available to configure any opening type include mounting brackets, housings and dress covers
- Ten feet [3.05m] of jacketed, stranded conductor
- Automatic dual voltage - no field adjustment required
- Also available in Senstat, Conduit, Double and Face Mount models
- Universal threaded conduit fitting is 1/2" female-3/4" male
- **UL Listed**



## Specification Data

**Holding Force:** 1,200 lbs. [544 Kg.]

**Current Draw and Voltage:**  
250mA at 12VDC; 125mA at 24VDC

**Operating Temperature:**  
-40 to +140F [-40 to +60C]

**Warranty:** MagnaCare Lifetime Replacement Warranty

**NOTE:** An offset strike may be required for proper installation of the M62 in aluminum frame door applications. See offset strikes on page 24.

The M62 requires 2.5 inches of flat mounting space

## How To Order

Part #	Description
M62	Magnalock Model 62
M62F	Model 62 Face Mount
M62FG	Model 62 Face Mount Conduit
M62G	Model 62 Conduit
M62G-OS	Model 62 Conduit Offset Strike
M62G-SS	Model 62 Conduit Split Strike
M62-OS	Model 62 Offset Strike
M62SC	Model 62 Senstat

## How To Order

Part #	Description
M62SCF	Model 62 Senstat Face Mount
M62SCFG	Model 62 Senstat Face Mount Conduit
M62SCG	Model 62 Senstat Conduit
M62SCG-OS	Model 62 Senstat Conduit Offset Strike
M62SCG-SS	Model 62 Senstat Conduit Split Strike
M62SC-OS	Model 62 Senstat Offset Strike
M62SC-SS	Model 62 Senstat Split Strike
M62-SS	Model 62 Split Strike

See Magnalock brackets and accessories for the M62 beginning on page 23

