

The Intelligent, Versatile  
and Eco-Friendly  
Magnalock®



*Securitron  
M680EBDX-628*

# Securitron M680E Series With EcoMag® Technology

**ASSA ABLOY**

The new Securitron M680E Series with EcoMag technology from ASSA ABLOY Electronic Security Hardware delivers the same unsurpassed intelligence, style and convenience as the previous Securitron M680 series, but with up to 80% reduction in energy consumption.

**Strong.** Increased holding force of 1,200 lbs adds an increased level of security to the access point.

**Intelligent.** Optional door prop sensing allows the magnet to de-energize the coil when the door is held open for extended periods, dropping the power draw as low as 20mA at 24V.

**Versatile.** All-in-one optional integrated accessories provides flexibility to customize as needed.

**Eco-Friendly.** With up to 80% decreased energy consumption, the Securitron M680E series is the most eco-friendly Magnalock available. Plus, the biodegradable foam packaging insert makes the Securitron M680E Series eco-friendly inside and out.



*Securitron M680EBDX*



*Securitron M680EBD*

# SECURITRON M680E SERIES MAGNALOCK

## Certifications:

- UL 10C Fire Rated, 1 hour
- CAN/ULC-S104 fire door conformant
- UL 1034 burglary-resistant listed
- UL 294 recognized component
- ANSI/BHMA A156.23, Grade 2; E18501
- California State Fire Marshall listed
- Patents: 8,094,017

**Holding Force:**  
1,200 lbs [544kg]

**Electrical Consumption**  
(12/24 VDC):

Securiton M680EBD	Securiton M680EBDX
Average Power Draw 113mA / 52mA	Average Power Draw 139mA / 69mA
Maximum Power Draw 520mA / 360mA	Maximum Power Draw 545mA / 380mA

*A separate continuous power input is required to power the REX*

**Operating Temperature:**  
+32 to +110F [0 to +43C] Indoor use only

## Finishes:\*

- 628 - Satin Aluminum Clear
- 605 - Bright Brass
- 606 - Satin Brass
- 612 - Satin Bronze
- 613E - Dark Oxidized Satin Bronze
- 629 - Bright Stainless Steel
- 630 - Satin Stainless Steel
- BSP - Black Suede Powder Coat

*Base material may not be stainless steel  
\*Please allow 4 week lead time for non-standard finishes*

## PRODUCT FEATURES

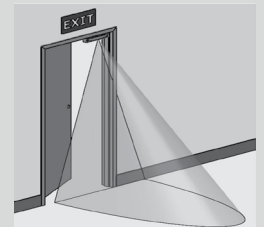
- 1,200 lbs holding force
- Strike plate mounting template ensures rapid alignment upon installation
- Lower power consumption allows for use of smaller backup batteries and decreased operating costs
- LED Indicator shows lock status
- Tamper Switch sends an alarm output if the cover is removed and is selectable to NO or NC
- Autosensing dual voltage with microprocessor technology
- Adjustable automatic relock timer (0 to 30 seconds)

## Options:

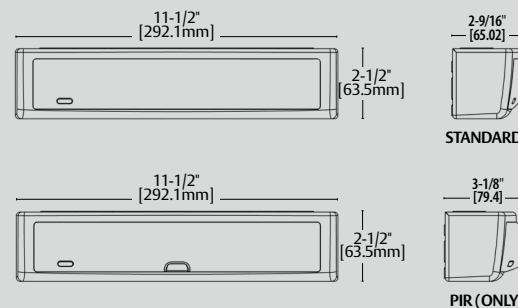
- BondSTAT lock sensor
- Integrated Door Position Switch
- Door prop sensing allows the magnet to de-energize the coil, dropping power draw as low as 20mA at 24V

## Optional Integrated Passive Infrared Motion Detector Features:

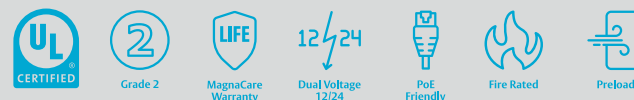
- Automatically cuts power to the device for egress
- Request to Exit (REX) output
- Automatically adjusts sensitivity based on ambient light
- Easily configurable beam pattern
  - Adjustable range
  - Adjustable sensitivity



Integrated Adjustable REX



*Safety note: ASSA ABLOY recommends an emergency exit button to be used in conjunction with the Securiton M680EBD and M680EBDX to meet applicable building and life safety codes.*



## ELECTRONIC SECURITY HARDWARE

HES | Securiton

assaabloyesh.com  
800.626.7590  
10027 S. 51st Street, Ste 102 Phoenix, AZ 85044  
USA