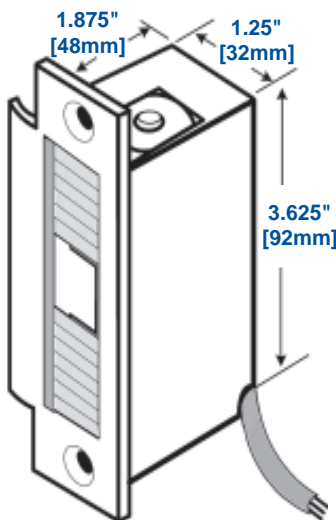
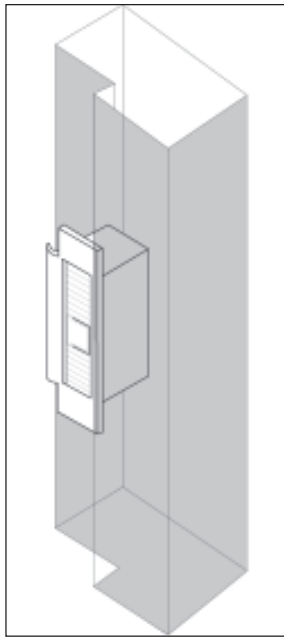




# Mortise UnLatch® Strike (MUNL)



**NOTE:** UNL requires three wires for operation - continuous positive DC, continuous negative DC, and a trigger input to unlock

**MUNL finishes shown on page 79**

**Application** - Mortise UnLatch is for any application where an electric strike would be used for a mortise type lock. The Mortise UnLatch includes field adjustability for latch and deadlatch positions, releases under pressure and includes a latch status monitoring output.

## Features and Benefits

- **Now available in Polished Brass! (US3)**
- Fits standard ANSI 4-7/8" strike cutout
- No cutting on the jamb required
- Motorized, no solenoids
- Fully concealed installation
- Maintains dead-latch function at all times
- Continuous duty
- Releases under pre-load
- Latch status sensor is standard
- One model works with most North American Mortise Locks (Sargent 7800 and 8200 require tab kit model #STK-1 for retrofit installations)
- **UL Listed**

## Specification Data

### Current Draw:

12VDC-40mA continuous, minimum 700mA when operating  
24VDC-40mA continuous, minimum 500mA when operating

Higher capacity supply (1-4 Amps) is recommended for startup inrush to achieve best operation under pre-load

**Operating Temperature:** -20 to +125F [-29 to +52C]

**Warranty:** MagnaCare Lifetime Replacement Warranty

## How To Order

Part #	Description
<b>MUNL-12</b>	Mortise UnLatch 12VDC
<b>MUNL-24</b>	Mortise UnLatch 24VDC
<b>MUNL-12-US3</b>	Mortise UnLatch 12VDC, Polished Brass
<b>MUNL-24-US3</b>	Mortise UnLatch 24VDC, Polished Brass
<b>STK-1</b>	Retrofit Tab Kit for Sargent 7800 & 8200
<b>FSUNL-12</b>	Fail Safe/Fail Secure Mortise Unlatch Module, 12VDC (See page 32)
<b>FSUNL-24</b>	Fail Safe/Fail Secure Mortise Unlatch Module, 24VDC (See page 32)

