



Plug In DC Power Supply (PSP)



Application - DC units in two versions:

12 volts @ 700mA max. capacity (model PSP-12) and 24 volts @ 350mA max. capacity (model PSP-24). Internal thermal fuse. 16 ft. output cable is included. PSPs are ideal for powering a wide range of DC devices.

Features and Benefits

- Internal thermal fuse
- 16 ft. [4.8m] output cable incl.
- Hard-to-find DC units!
- **UL Listed**

Specification Data

Capacity and Voltage:

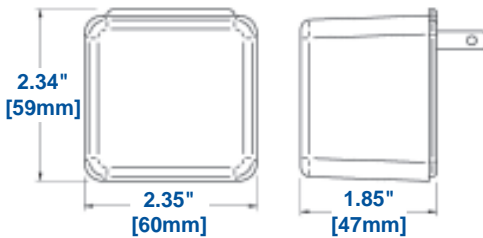
PSP-12: 12VDC, 700mA output
PSP-24: 24VDC, 350mA output

Power Input:

110VAC

How To Order

Part #	Description
PSP-12	Plug in Power Supply 12VDC
PSP-24	Plug in Power Supply 24VDC



Hard Wired AC Power Supply (BACS)



Application - Intended primarily for powering CCTV cameras. BACS employs the same multiple zone concept as the BPS, including nearly identical control boards providing eight automatically breakered outputs, individual control switches and LEDs.

Features and Benefits

- Hard Wired power supply
- Provides eight (8) automatically breakered outputs with individual control switches and LEDs
- Additional 8-zone expansion boards available based on load and power supply size
- **UL Listed**

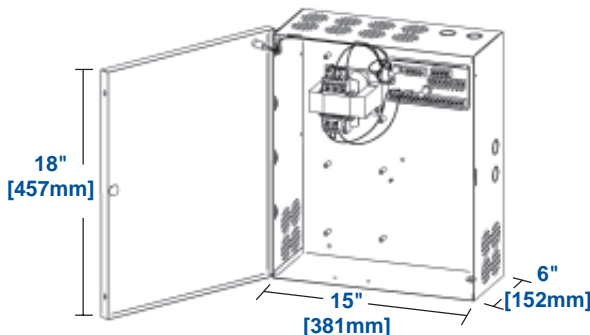
Specification Data

Capacity and Voltage

BACS-12-20: 20 Amp 12VAC
BACS-24-10: 10 Amp 24VAC
BACSH-12-20: 20 Amp 12VAC
BACSH-24-10: 10 Amp 24VAC

How To Order

Part #	Description
BACS-12-20	Power Supply 12VAC- 20 Amp
BACS-24-10	Power Supply 24VAC- 10 Amp
BACSH-12-20	Power Supply 12VAC- 20Amp 220VAC
BACSH-24-10	Power Supply 24VAC- 10Amp 220VAC



PSP - BACS

