

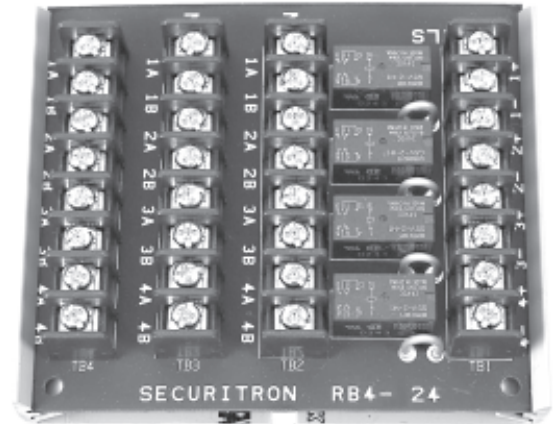


Electronics

Relay Board (RB)

Application - The RB4 board is used for interlock installations and where a basic relay board is needed.

- Add relays for uses including shunting, interlocking and reporting
- Individual coil connections - common negative or positive
- Replaces socket mount relays
- Mounts 4 DPDT relays with 2 Amp contacts
- All dry contact connections are brought out on screw terminals
- Relays have low current coils (13mA at 12VDC; 8mA at 24VDC)
- Allows operation from most LED drive outputs



RB-4

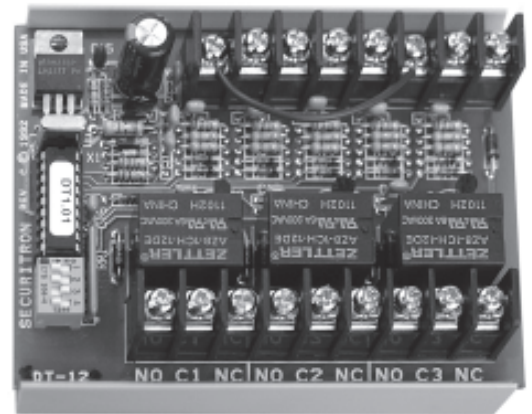
How to Order

Part #	Description
RB-4-12	Relay Board 12VDC
RB-4-24	Relay Board 24VDC

Door Prop Alarm (DPA)

Application - The DPA is designed to detect and deter a door from being left propped open.

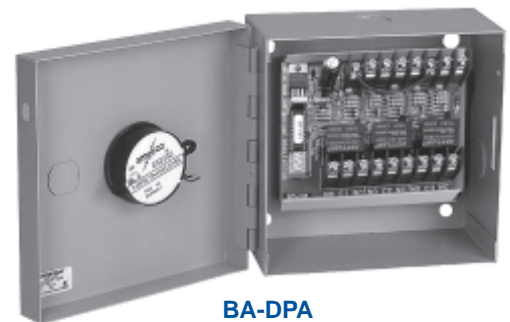
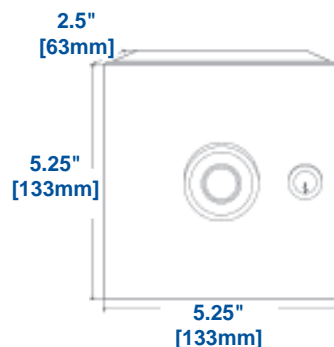
- Multi-functional control timer that operates as a door prop alarm
- Monitors whether the door has been "propped" open
- Can detect attempts to tamper with lock or door status
- Includes (3) 5 Amp SPDT outputs providing local and remote signaling
- Bypass mode for valid access/egress needs
- Duress alarm function when used with a N/O switch
- BA-DPA models come with Piezo sounder
- 12 or 24 VDC



DPA

How to Order

Part #	Description
DPA-12	Door Prop Alarm 12VDC
DPA-24	Door Prop Alarm 24VDC
BA-DPA-12	Door Prop Alarm, enclosed 12VDC
BA-DPA-24	Door Prop Alarm, enclosed 24VDC



BA-DPA

RB - DPA