



IntelliKnight® Model EVS-RCU

Supervised Remote Command Unit

The EVS-RCU is a combination supervised remote microphone and annunciator which is compatible with the EVS-Series Emergency Voice System. The EVS-RCU meets UL requirements for a LOC. (Local Operator's Console).

For more information about the EVS-RCU, or to locate your nearest source, please call 800-328-0103.

Description

The included EVS-RVM Remote Voice Module provides an interface to the Emergency Voice System and a supervised microphone for live communications. The annunciator is capable of performing complete operation of the fire alarm system, including silencing and resetting.

Features

- On-board supervised microphone.
- Programmable trigger inputs from an external source, such as a Monaco system, to either the RVM or 5880. Up to eight inputs available on the 5880 module.
- After the main panel unit, up to four EVS-RCU's can be added to provide a total of five command units. The EVS-RCU meets the requirements for a LOC.
- Up to 32 mappable speaker circuits using a combination of EVS-50W or EVS-125W's and EVS-CE4's mappable to 32 buttons controlling selected output groups.
- All Call and Non-Active Call buttons to quickly select all active or all the non-active output groups.
- Six-wire connection to EVS system; Two-wires for the voice bus, and four-wires for the SBUS connections.

Listings

- UL 864 and UL 2572

Meets the requirements for NFPA 72 Local Protective Signaling Systems & Emergency Communication Systems.

Other Listings:
CSFM (pending)



Model EVS-RCU

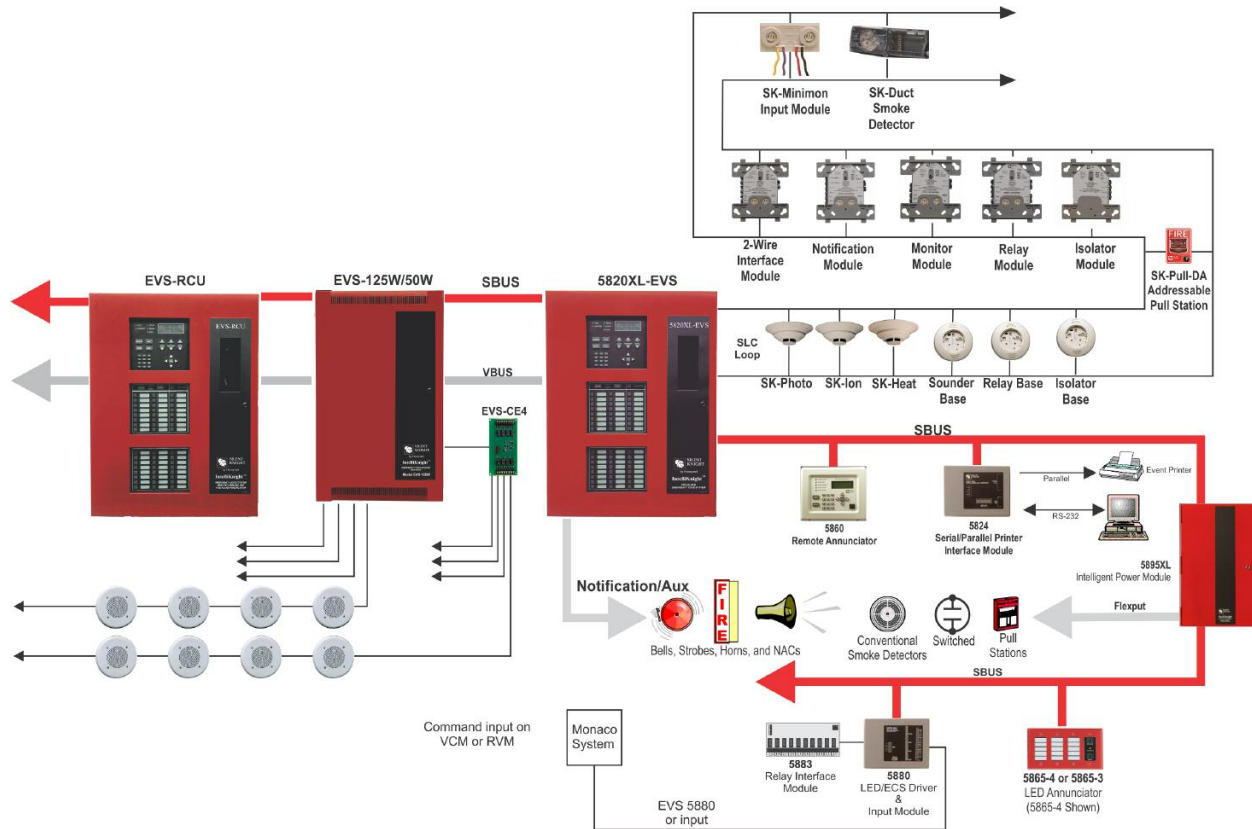
Installation

The EVS-RCU can be surface or flush mounted.

Compatibility

The EVS-50W is compatible with the following panel:

- 5820XL-EVS Voice Integration Panel with Fire Alarm Control



Specifications

Physical

Flush Mount Dimensions:
20.25"W x 26.75"H x 2.5" – 3"D
(51.4 W x 68 H x 6.4–7.6 D cm)

Overall Dimensions:
20"W x 26.5"H x 4.6"D
(50.75 W x 67.3 H x 11.8 D cm)

Color: Red

Environmental

Operating Temperature: 32°F – 120°F (0°C – 49°C)

Humidity: 10% – 93% non-condensing

Electrical

Standby Current: 90 mA (5860 20mA + RVM 70mA)

Alarm Current: 125 mA (5860 25mA + RVM 100mA)

Voice Integration Wiring:

- Six conductor
- Two voice bus
- Four SBUS

Ordering Information

EVS-RCU Remote Command Unit

Accessories

EVS-SW24 24 Switch Expander

VIP-TR Panel Trim Ring - For flush mounting

EVS-RVM Remote Voice Module (included with EVS-RCU)



This document is not intended to be used for installation purposes. We try to keep our product information up-to-date and accurate. We cannot cover all specific applications or anticipate all requirements. All specifications are subject to change without notice. For more information, contact Silent Knight 12 Clintonville Road, Northford, CT 06472 Phone: (203) 484-7161, Fax: (203) 484-7118. For Technical Support, please call 800-446-6444 www.silentknight.com.

Made in America

PN 350604 Rev A
© 2013 Honeywell International Inc.