

NOVA.16 Access Control Panel

SK-MRCP-LE



NEW CONTROL PANEL

Secura Key's new NOVA.16 multi-reader access control panel, based on a powerful 32-bit RISC processor, provides a major technology upgrade to Secura Key's legacy SK-NET™ system.

The NOVA.16 introduces a new more efficient architecture for the SK-NET™ system. Each panel connects to the local area network using its built-in Ethernet connection, and it also connects to a high speed, RS485 peripheral network which supports up to 16 Smart Readers, each controlling a single door or gate. (NOVA.16's can also be interconnected using the RS-485 Command Bus).

The Peripheral Network can extend up to 4000 feet away from the controller. The NOVA.16's RS-485 communications lines are protected with gas discharge tube surge suppressors, which helps keep systems running in areas with extreme weather conditions and power problems.

By reducing the number of control panels required for multi-door systems, plus the associated cost of providing electrical outlets, space and power supplies for those panels, the NOVA.16 provides a huge savings in installation time and cost.

The NOVA.16 boasts a 3-Amp heavy-duty power supply with power line noise filtering and resettable thermal fuses. It continually monitors backup battery status. Communications speeds and transaction storage capacity have more than doubled over previous controller models.

NEW SMART READERS

Secura Key Smart Readers are designed to work with the NOVA.16 Multi-Reader Control Panel, and SK-NET™ version 5.1. Each Smart Reader has all the inputs and outputs to monitor and control a door or gate, including a Solid State Strike/Latch Relay, two Open Collector outputs for controlling low powered devices (or interposing relays),

and four inputs for monitoring door monitor switches, REX buttons, tamper outputs and more. These input and output connections are made directly at the Smart Reader. The Smart Reader only requires a twisted pair for RS485 data, plus an additional pair for 12VDC power, which can all be accomplished using inexpensive CAT 5e cable.

The Smart Reader eliminates the requirement for multiple cable home runs for door strikes, Wiegand data, inputs and outputs. It eliminates the cost of adding a control panel for every pair of doors – up to 16 Smart Readers can be connected to a single NOVA.16.

The NOVA.16 can be added to an existing SK-NET™ system, and is functionally compatible with legacy SK-ACP controllers. An upgrade to SK-NET™ Version 5.1 is required.

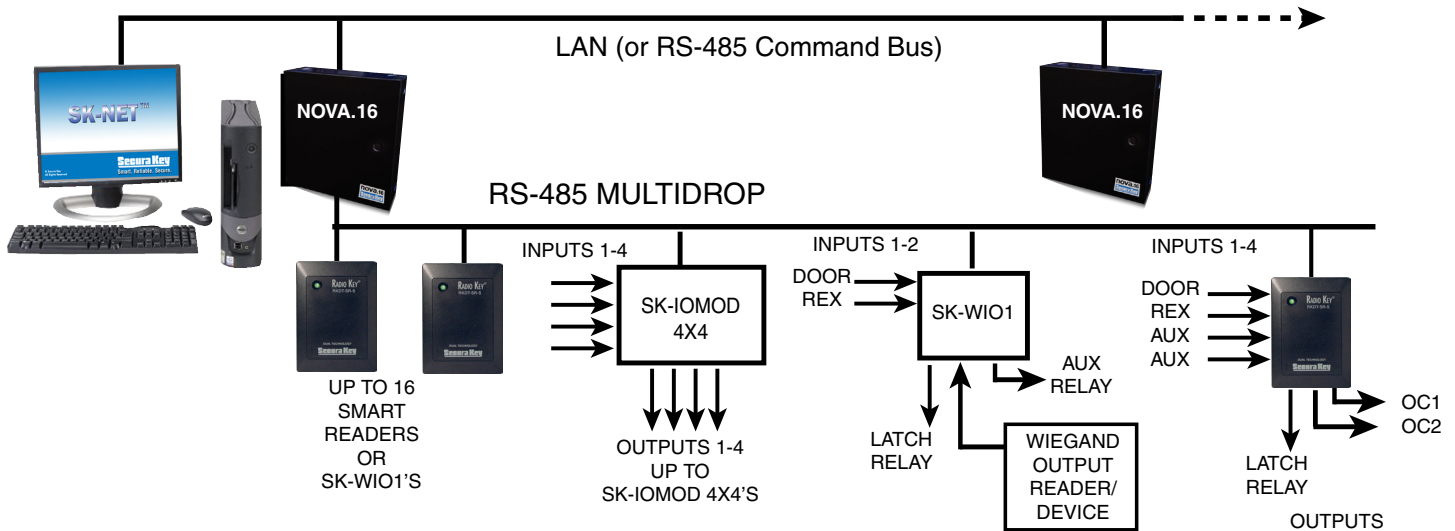
SK-NET™ Access Control Software is an easy-to-use Windows®-based program for managing NOVA.16 control panels. The SK-NET-DM basic software controls up to 200 doors using RS-485, and it also allows a single TCP/IP connection. SK-NET™-MLD Multi-Location Software is required for dial-up modem use or multiple TCP/IP connections, and allows an unlimited number of locations or NOVA.16 panels to be connected via TCP/IP. SK-NET-MLD features fully integrated ID badging software. Client/Server licenses permit software access from multiple workstations.

SK-NET™ is very intuitive and easy to learn, with Windows® conventions such as drag-and-drop and right-click menus. Transaction history displays all card uses with time, date, location and user names. SK-NET™ also features video integration with Remote Eyes® Video Management from Odyssey Technologies. Stored video is associated with card transactions, alarm conditions or other events.

Features:

- Supports up to 16 doors using Smart Readers on an RS-485 bus
- 65000 cards, 10000 time-stamped events
- 15 programmable time zones, 32 holidays, and one door control Time Zone per reader
- Built-in TCP/IP capability for LAN/WAN connections
- Optional wireless LAN module and Modems available
- UL294, FCC and CE regulatory approvals
- New system architecture eliminates cable home runs from individual doors

NOVA.16 - Multi-Reader Access



ET8-SR-X-D/M Smart Readers

The ET8-SR Smart Readers use Secura Key's e*Tag® 13.56 MHz ISO 15693 contactless smart card technology. The Smart Reader includes all of the inputs and outputs required to control a single door in an access control system. It communicates on the RS-485 Peripheral Network with the NOVA.16, which monitors and controls the smart reader, processes access control requests, monitors input status changes, sends output control commands, grants or denies access and stores event history.

The ET8's Contactless Smart Card Technology provides the same user experience as proximity card technology, but with greater security. Access Control Data on the card is DES-encrypted, using diversified encryption keys to prevent card data from being copied from one card to another or from being read covertly through the air. Additional data storage on the card can be used for other applications, such as time and attendance, stored value, biometrics, and logical access – Secura Key can provide data protocols and support for system integrators.

Smart Readers are equipped with a solid-state relay, two open collector outputs (logic outputs that can switch small loads or operate a larger relay) four input circuits, bi-color LED and a beeper.



ET8-SR-X-D



ET8-SR-X-M

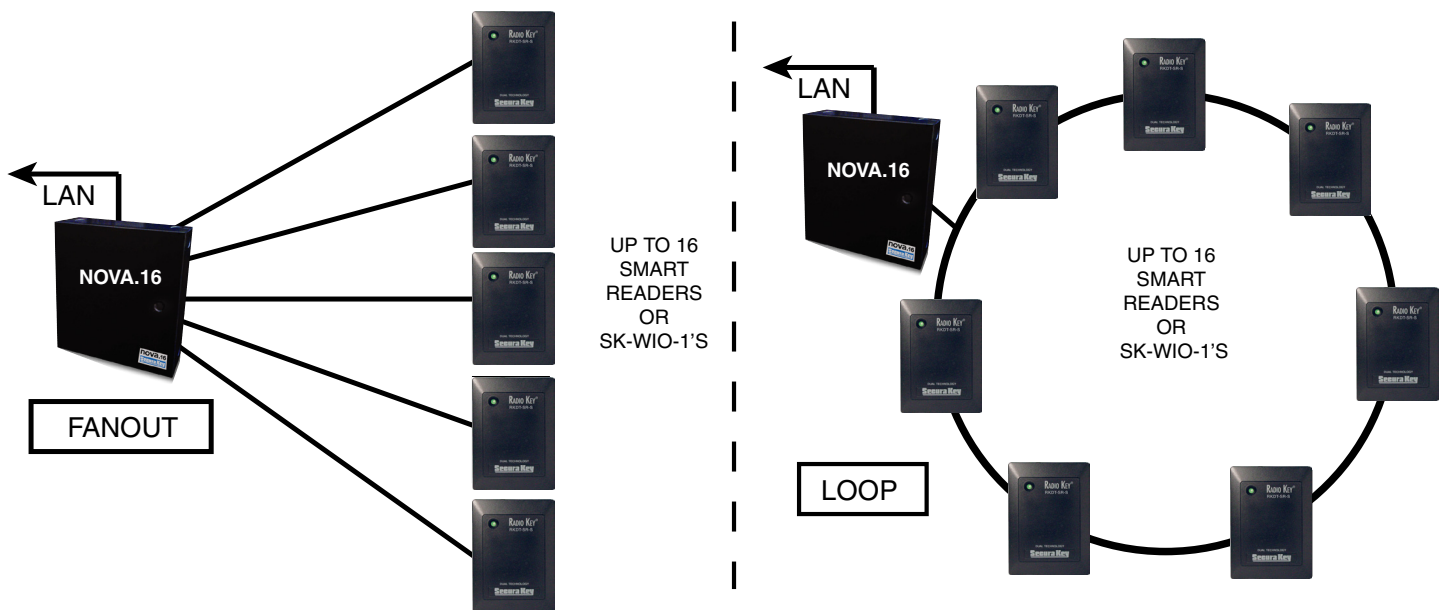


RKDT-SR-S

RKDT-SR Smart Readers

RKDT Smart Readers use Secura Key's Radio Key® 125 KHz Proximity technology and they also read HID® Proximity Cards encoded in non-proprietary "pass-through" formats, such as SIA 26-bit, or Northern 34-bit. All other features and functions are identical to the ET8-SR described above, including inputs and outputs, and communications with the NOVA.16.

Control Panel and Accessories



SK-WIO-1



SK-WIO-1

The SK-WIO-1 is a Wiegand Interface Unit which connects to the NOVA.16 peripheral bus, allowing any Wiegand output device to be used with the NOVA.16. This allows products without the Smart Reader protocol to be used on the Peripheral bus, such as Long Range proximity or UHF readers, keypads, Biometric readers (fingerprint readers, Iris scanners, Hand Geometry readers) and legacy technologies such as swipe Wiegand, TouchCard, Magstripe, or card readers using non-Secura Key technologies.

The SK-WIO-1 has one Wiegand Reader Input. This module supports the standard Wiegand interface including data, power, beeper outputs and hold input, and also has two SPST relays (one 8-Amp and one 2-Amp), and two input circuits.

SK-IOMOD-4X4

The SK-IOMOD 4x4 will be available in Q4, 2013. This unit has four Form-C SPDT relays that will switch up to 10A @120VAC or 8A at 30VDC. It also has four input circuits, which can monitor an alarm circuit for short or open circuits, and detect circuit tampering. The SK-IOMOD also has an ARM processor which communicates with the NOVA.16, and monitors and scans the inputs and operates the output relays.



SK-IOMOD-4X4

The SK-IOMOD can be configured to link local inputs to outputs at the module, providing default operation when the module is offline from the control panel. The IO module can be used for future SK-NET™ applications, such as controlling HVAC, lighting, process equipment, or elevator control.

NOVA.16

SPECIFICATIONS

16-Reader Access Control Panel

	SK-MRCP-LE	SK-MRCP-NE
Dimensions (H x W x D)	11" x 10" x 3"	6.125" x 7.0" x 1.0"
	27.94 x 25.40 x 7.62 cm	15.55 x 17.78 x 2.54 cm
Mounting	Wall Mount Enclosure, 4 screws #6 or #8	No Enclosure, mount with #4-40 screws and Standoffs
Enclosure Material	Steel	NA
Enclosure Color	Black, textured finish	NA
Keylock and Tamper Switch	Included	NA
Power Requirements	16.5-24VAC 40 VA transformer will power panel and up to 16 smart readers, 24VDC 500 mA supply will power panel and up to 4 Smart Readers, 24VDC 1A supply will power panel and 5-16 Smart Readers	
Recommended Power Supply	16.5-24VAC 40VA transformer, or 24VDC 500 mA plug-in DC Power Supply	
Communications, Cable Requirements	LAN: CAT 5e or 6, connect to on-board RJ45 Ethernet connector RS-485 Command Bus: Single twisted pair, shielded with ground up to 4000 feet RS-232: 5-wire shielded cable, up to 115K Baud, full duplex 8N1 up to 100 ft. Modem: Hayes compatible, 1.2 to 57.6 K baud Printer: Serial printer (or parallel printer with serial converter) Smart Readers: Use CAT5: use one pair for data, double up additional pairs for DC power and ground, or use CAT5 for data and 18/2 for power. Or use Siamese cable with CAT5 AND 18/2 (COLEMAN cable 97395-06-23)	
Environmental	-40°F – 158°F (-40° – 70°C); 0-95% RH non-condensing	
Operational	Card capacity 65,535, 16 Controlled Doors, 16 4x4 I/O Input/Relay boards, Door Transaction/Storage 10000 events, 15 Time Zones, 10 Door Unlock Zones, 32 Holidays, 16 Facility Codes, Latch/Alarm Shunt Timer ¼ - 30 seconds, Limited Use cards 65535, 1-500 uses, days, weeks or number of days after first use	
Memory	Non-volatile (programming retained during power loss)	
Regulatory Approvals	UL.cUL294, Part 15 Class B FCC, CE Mark	
Warranty	2 year Limited Warranty (see price list for terms and conditions)	

ORDERING

PANELS:

NOVA.16 Multi-Reader Control Panels

SK-MRCP-LE	NOVA.16-control panel, large enclosure
SK-MRCP-NE	NOVA.16-control panel, no enclosure
SK-MRCP-PCBA	NOVA.16-control panel, no enclosure, no connectors

Smart Readers (Single-Door Controllers)

RK-XRM	RS485, Radio Key® Proximity (Mullion/Door Frame)
RK-XRS	RS485, Radio Key® Proximity (Switchplate/J-Box)
ET8-SR-X-M	RS485, e*Tag® Contactless Technology (Mullion/Door Frame)
ET8-SR-X-D-W/I	RS485, e*Tag® Contactless Technology (Indoor)
RKDT-SR-M	RS485, Radio Key® & HID Proximity (Mullion/Door Frame)
RKDT-SR-S	RS485, Radio Key® & HID Proximity (Switchplate/J-Box)

NOVA.16 Multi-Reader Control Panel Kits Also Available

ACCESSORIES:

Wiegand Interfaces

SK-WIO-1	Single-door interface, RS-485, Wiegand Input
----------	--

Relay Control Boards

Recommended:	ELK-924 Sensitive Relay; Altronix RBSN or RBSNTTL (Contact your distributor)
--------------	---

Input/Output Modules

SK-IOMOD-4x4	IO Controller, RS-485, four, 4A relays, and 4 supervised inputs,
--------------	--

Serial Input Cable

RS-232E	Connects J11 MTA connector to DB9, 6 ft long
---------	--

Wireless LAN Adapter

SK-WLSE-MOD	802.11 b/g LAN interface, plugs into CPU board at J6
-------------	--

20301 Nordhoff Street, Chatsworth, CA 91311
 PHONE (818) 882-0020 • FAX (818) 882-7052
 TOLL-FREE (800) 891-0020

Website: www.securakey.com • E-mail: mail@securakey.com

Secura Key
A Division of SOUNDCRAFT Inc.
Smart. Reliable. Secure.