

Specification

Rating Input	120VAC, 60Hz, 46 VA
Output Voltage	
Measure Point	3-4
No Load Voltage	26.5 VAC± 5%
Max Load Voltage	24 VAC± 5%
Load Current	AC 1.67A
Storage Temp. Range	-25°C ~ +80°C, humidity range: 10 ~ 90% R.H.
Protection	Secondary 3A Fuse
Standards	UL 1310 / Efficiency Level VI* / RoHS

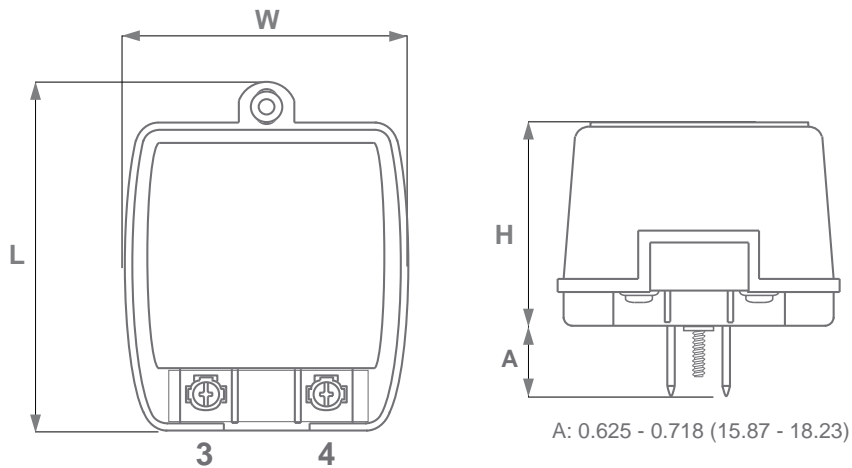
*Exception on no load efficiency



Due to continuous improvements to our products, product may vary slightly from depiction.

Physical Dimensions: in (mm)

- L:** 3.55 in (90.1 mm)
- W:** 2.76 in (70.1 mm)
- H:** 2.21 in (56.1 mm)



Circuit Diagram

