

Low Voltage Mounting Brackets

PVC Low Voltage Mounting Brackets:

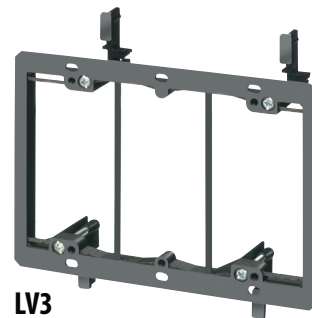
- Use to Retrofit Telephone, Coax, Electrical or Network Installation Where an Electrical Box is Not Present
- Non-Conductive, Smooth Plastic Construction
- For Use in Home Theater, Computer Wiring, Telephone and Cable TV Hookup
- Seats Wall Plates Flush with Mounting Surface
- Recessed Screw Holes so Wall Plate is Flush with Wall Surface
- Thin Front Edge So Seats Better on Drywall
- Oval Shaped Hole Allows Final Shifting and Straightening of Device
- Adjusts to Fit 1/4" to 1" Thick Wallboard, Paneling, or Drywall.
- UL and CSA Listed



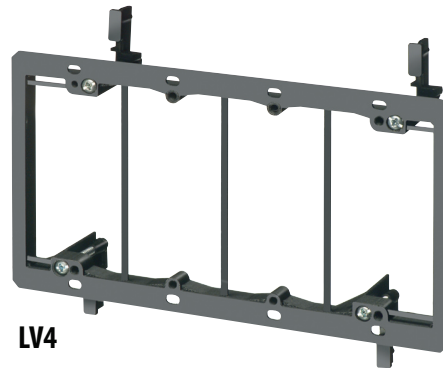
LV1



LV2



LV3



LV4



Product No.	Color	Type	Pkg.
LV1PK	Black	Single	Pkgd
LV1	Black	Single	Bulk
LV2PK	Black	Dual	Pkgd
LV2	Black	Dual	Bulk
LV3	Black	Triple	Bulk
LV4	Black	Four	Bulk

