

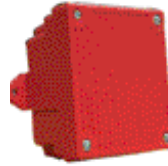
SERIES RSSWP, ASWP, AHWP, and MTWP WEATHERPROOF STROBE, WEATHERPROOF AUDIBLE STROBE, WEATHERPROOF AUDIBLE HORN



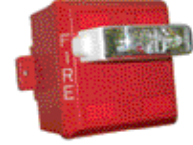
SERIES RSSWP
Mounted to WPSBB



SERIES ASWP
Mounted to WPBB



SERIES AHWP



SERIES MTWP
Mounted to IOB

Description:

Wheelock's Weatherproof Strobe, Audible Strobe, Multitone Strobe and Audible appliances all have an **extended temperature range of -35°C to 66°C (-31°F to 150°F)** and will satisfy virtually all outdoor and severe environment applications. All strobes are Indoor/Outdoor UL Listed and rated for 75 candela @ -35°C (-31°F).

Series RSSWP Strobes, Series ASWP Audible Strobes Series AHWP Audibles and Series MTWP Strobe may be synchronized when used in conjunction with the Wheelock DSM Sync Module(s).

Weatherproof Strobes - Series RSSWP

ULC Listed under Standard CAN/ULC-S526-02 for **Indoor/Outdoor** use. The strobes use a Xenon flashtube with solid state circuitry enclosed in a rugged Lexan® lens to provide maximum visibility and reliability for effective visual signaling. The Series RSSWP has a 75 cd intensity on axis at -35°C and Low Current Draw (180 cd @ 25°C). For outdoor application the RSSWP must be wall mounted to a Weatherproof backbox (WPSBB).

Weatherproof Audible Strobes and Audibles- Series ASWP and AHWP



ULC Listed under Standard CAN/ULC-S526-02 for Visual Signaling Appliances and Standard CAN/ULC-S525-99 for Audible Signaling Appliances. Indoor/Outdoor use and offer a field selectable choice of continuous horn or temporal pattern (Code 3) when constant voltage from the Fire Alarm Control Panel (FACP) is applied. Additionally, the audible has three (3) selectable dBA settings of 99, 95, and 90 dBA in both tones and, when used with Wheelock sync modules, DM the audible may be silenced while maintaining strobe activation on the Series ASWP. For outdoor applications the ASWP must be Wall Mounted to the Weatherproof Backbox (WPBB).

Weatherproof Multitone Strobe and Multitone Horn - Series MTWP and MT-12/24

Is ULC Listed for indoor and outdoor applications under Standard CAN/ULC-S526-02 for Visual Signaling and under Standard CAN/ULC-S5255-99 for Audible Signal Devices for Fire Alarm Systems. The Multitone Strobe Appliances use a Xenon flash tube with solid state circuitry enclosed in a rugged Lexan® lens to provide maximum visibility and reliability for effective visible signaling. The Multitone electronic appliance offers a choice of eight (8) internationally recognized alerting sounds: Horn, Bell, March Time Horn, Code 3 Tone, Code 3 Horn, Slow Whoop, Siren or Hi/Lo Tone. Additionally, the audible has two installer selectable sound output levels; Standard and High covering a range (depending on selected signal) or 85-100 dBA anechoic. The series MTWP is a true 4-wire appliance. The strobe portion can be synchronized and non synchronized. The Multitone (audible) portion can be synchronized, but it can be connected to a coded fire alarm system. The series MTWP and the MT-12/24 mount to a series IOB out door backbox.

Features

- Approvals include: ULC, UL 1638, UL 464
- Meets OSHA 29 Part 1910.165.
- ULC Listed with an extended temperature range of -35°C to 66°C (-31°F to 150°F).
- 24 VDC with wide UCL Listed Voltage Range using filtered (DC) or unfiltered VRMS voltage.
- Synchronize with Wheelock Series DSM, Sync Module(s).

NOTE: All CAUTIONS and WARNINGS are identified by the symbol  All WARNINGS are printed in bold capital letters.  WARNING: PLEASE READ THESE SPECIFICATIONS AND ASSOCIATED INSTALLATION INSTRUCTIONS CAREFULLY BEFORE USING, SPECIFYING OR APPLYING THIS PRODUCT. FAILURE TO COMPLY WITH ANY OF THESE INSTUC-TIONS, CAUTIONS, OR WARNINGS COULD RESULT IN IMPROPER APPLICATION, INSTALLATION, AND/OR OPERATION OF THESE PRODUCTS IN AN EMERGENCY SITUATION, WHICH COULD RESULT IN PROPERTY DAMAGE, AND SERIOUS INJURY OR DEATH TO YOU AND/OR OTHERS.

General Notes:

- Wheelock CAN/ULC-S526-M87 Strobes are designed to produce 30-62 flashes per minute over the Voltage Range.
- Series RSSWP, AHWP, MTWP and MT12/24 are listed for indoor and outdoor use with a temperature range of -35°C to 66°C (-31°F to 150°F) and maximum humidity of 93% RH ±2%. Series AHWP temperature range -35°C to 66°C (-31°F to 150°F) and maximum humidity of 98% RH±2%.
- All Canadian Installations should be in accordance with the Canadian Standard for the Installation of Fire Alarm Systems - CAN/ULC-S524-01 and Canadian Electrical Code, Part 1.

Table 1: Average Current* for Series RSSWP and Strobe in MTWP

Model (75 cd)	Regulated Voltage Range	Avg. Current*		
		20.0 VDC	24.0 VDC	31.0 VDC
RSSWP-2475W-FR	20.0 - 31.0 VDC	.138	.094	.067

Table 2: Average Current* (AMPS) For Series ASWP-2475W-FR Audible Strobe

Voltage	High dBA Setting (99) dBA	Medium dBA Setting (95) dBA	Low dBA Setting (90) dBA
20.0 VDC	.168	.155	.150
24.0 VDC	.132	.109	.102
31.0 VDC	.123	.090	.080

Table 3: ULC Current* (AMPS) for Series AHWP

Voltage	AH-24WP
AH-24WP	Hi / Med / Low
20.0 VDC	.035 / .020 / .014
24.0 VDC	.050 / .025 / .017
31.0 VDC	.065 / .030 / .021

* Average current per actual Wheelock production testing. For rated average, peak and in rush current across the UL listed voltage range for both filtered DC and unfiltered VRMS, see Installation Instructions.

Table 4: dBA Ratings for Series ASWP & AHWP

Description	Volume	Reverberant dBA Per UL 464 @ 10 ft.	Anechoic dBA@10 ft.
		24 VDC	24 VDC
Continuous Horn	High	91	99
	Med	88	95
	Low	82	90
Code 3 Horn	High	85	99
	Med	82	95
	Low	75	90

#Audible and Visual combined.

Table 5: ULC Current* Ratings (AMPS) for Series MT-12/24 and audible of MTWP

Tone	12.0 VDC		24.0 VDC	
	Standard	High	Standard	High
Horn	0.020	0.100	0.023	0.040
Bell	0.010	0.031	0.012	0.014
March Time	0.020	0.100	0.023	0.040
Code 3 Horn	0.020	0.100	0.023	0.040
Code 3 Tone	0.015	0.060	0.017	0.028
Slow Whoop	0.025	0.100	0.026	0.048
Siren	0.020	0.082	0.023	0.036
Hi/Lo	0.012	0.044	0.014	0.020

Table 6: ULC 24 VDC dBA Anechoic Ratings Per CAN/ULC S525-99 at 10 Feet

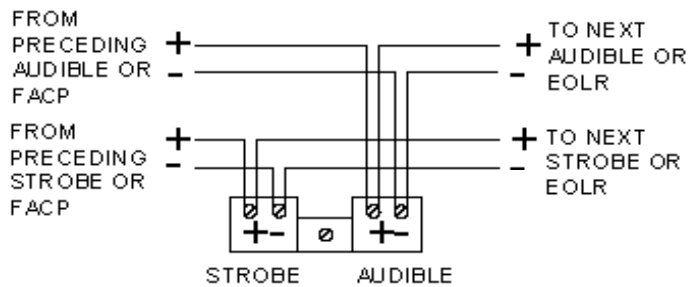
Tone	24V	
	HI	STD
Horn	99	93
Bell	92	87
March Time	99	93
Code 3 Horn	99	93
Code 3 Tone	95	90
Slow Whoop	99	94
Siren	98	93
HI/LO	93	88

Table 7: ULC Ratings

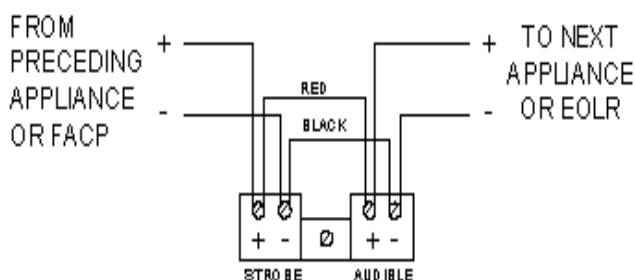
Model	Nominal Voltage (VDC/VRMS)	Regulated Input (24VDC)	Regulated Input (12 VDC)	Strobe Candela Per ULC
ASWP-2475W	24	20.0-31.0	-	75
AH-24WP-R	24	20.0-31.0	-	-
RSSWP-2475W	24	20.0-31.0	-	75
MTWP-2475W	24	20.0-31.0	-	75
MT-12/24	12/24	20.0-31.0	9.0-15.6	-

Wiring Diagrams

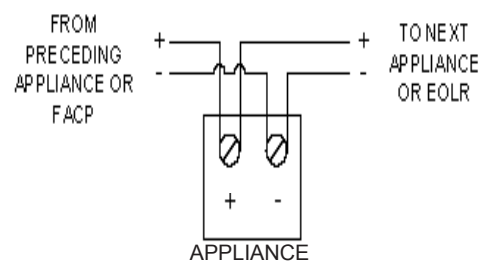
SERIES MTWP AUDIBLE APPLIANCE AND STROBE OPERATE INDEPENDENTLY



SERIES MTWP AUDIBLE APPLIANCE AND STROBE OPERATE IN UNISON. RED AND BLACK SHUNT-WIRES ARE SUPPLIED.

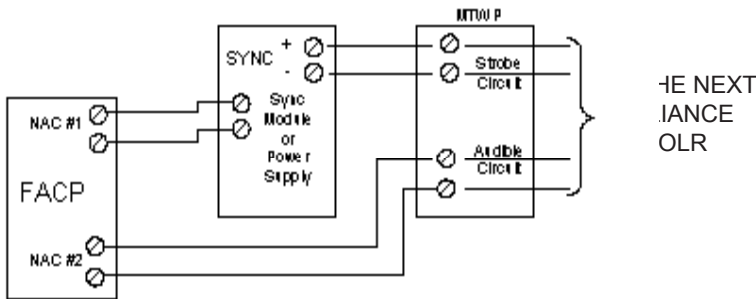


SERIES RSSWP, ASWP, AHWP, MTWP AND MT-12/24 APPLIANCES



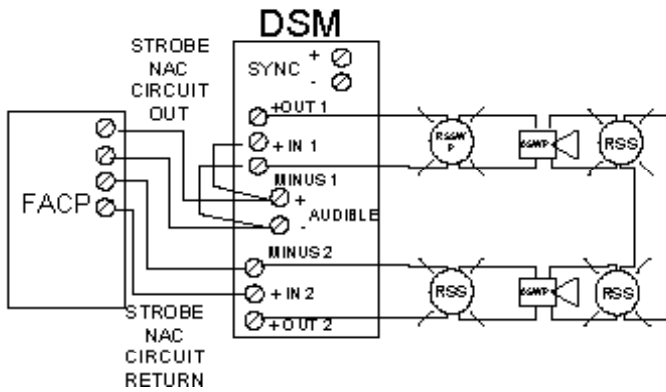
Wiring Diagrams Cont.

SERIES MTWP APPLIANCES SYNCHRONIZED STROBE OPERATION WITH CODED AUDIBLE OPERATION

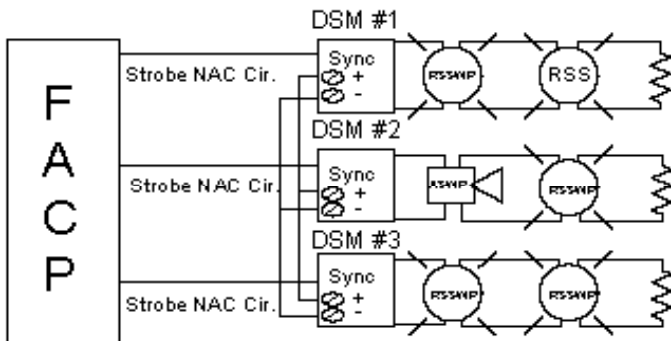


Note: Strobe circuit requires constant voltage

SERIES RSSWP/ASWP APPLIANCES SYNCHRONIZED W/ DSM MODULE SINGLE CLASS "A" NAC CIRCUIT



SERIES RSSWP/ASWP APPLIANCES SYNCHRONIZED W/MULTIPLE DSM MODULES CLASS "B" NAC CIRCUITS



DSM Interconnecting wiring shown. Maximum of twenty (20)

▲WARNING: CONTACT WHEELOCK FOR THE CURRENT “INSTALLATION INSTRUCTIONS” AND “GENERAL INFORMATION” SHEET (P82380) ON THESE PRODUCTS. THE INSTALLATION INSTRUCTIONS ARE AS FOLLOWS: P84135 FOR SERIES RSSWP, P83957 FOR SERIES ASWP, P83641 FOR SERIES AH-WP, P84150 FOR SEREIS MTWP AND P824671 FOR SERIES MT-12/24-R. THESE DOCUMENTS UNDERGO PERIODIC CHANGES. IT IS IMPORTANT THAT YOU HAVE CURRENT INFORMATION ON THESE PRODUCTS. THESE MATERIALS CONTAIN IMPORTANT INFORMATION THAT SHOULD BE READ PRIOR TO SPECIFYING OR INSTALLING THESE PRODUCTS, INCLUDING:

- **TOTAL CURRENT REQUIRED BY ALL APPLIANCES CONNECTED TO SYSTEM SECONDARY POWER SOURCES.**
- **FUSE RATINGS ON NOTIFICATION APPLIANCE CIRCUITS TO HANDLE PEAK CURRENTS FROM ALL APPLIANCES ON THOSE CIRCUITS.**
- **ADDING, REPLACING OR CHANGING APPLIANCES WILL EFFECT CURRENT DRAW. RECALCULATE CURRENT DRAW TO INSURE THAT THE TOTAL AVERAGE CURRENT AND TOTAL PEAK REQUIRED BY ALL APPLIANCES DO NOT EXCEED THE RATED CAPACITY OF THE POWER SOURCE OR FUSES.**
- **COMPOSITE FLASH RATE FROM MULTIPLE STROBES WITHIN A PERSON’S FIELD OF VIEW.**
- **THE VOLTAGE APPLIED TO THESE PRODUCTS MUST BE WITHIN THEIR “REGULATED VOLTAGE RANGE”.**
- **USE STROBES ONLY ON CIRCUITS WITH CONTINUOUSLY APPLIED OPERATING VOLTAGE. DO NOT USE STROBES ON CODED OR INTERRUPTED CIRCUITS IN WHICH THE APPLIED VOLTAGE IS CYCLED ON AND OFF AS THE STROBE MAY NOT FLASH.**
- **FAILURE TO COMPLY WITH THE INSTALLATION INSTRUCTIONS OR GENERAL INFORMATION SHEETS COULD RESULT IN IMPROPER INSTALLATION, APPLICATION, AND/OR OPERATION OF THESE PRODUCTS IN AN EMERGENCY SITUATION, WHICH COULD RESULT IN PROPERTY DAMAGE AND SERIOUS INJURY OR DEATH TO YOU AND/OR OTHERS.**
- **CONDUCTOR SIZE (AWG), LENGTH AND AMPACITY SHOULD BE TAKEN INTO CONSIDERATION PRIOR TO DESIGN AND INSTALLATION OF THESE PRODUCTS, PARTICULARLY IN RETROFIT INSTALLATIONS.**

SPECIFICATIONS AND ORDERING INFORMATION

Model	Order Code	Non-Sync	Sync w/ DSM	Strobe cd @ -35°C (-31°F)	dBA	Input Voltage	Outdoor Mounting Options*
Strobe							
RSSWP-2475W-FR	9013	Yes	Yes	75cd	-	24 VDC	T
RSSWP-2475W-FW	3034	Yes	Yes	75cd	-	24 VDC	T
RSSWP-2475W-NW	9778	Yes	Yes	75cd	-	24 VDC	T
Audible Strobe							
ASWP-2475W-FR	9012	Yes	Yes	75cd	90/95/99	24 VDC	I
Multitone Strobe							
MTWP-2475W-FR	8420	Yes	Yes, Strobe Only	75cd	75-94	24 VDC	M
MTWP-2475W-FW	3112	Yes	Yes, Strobe Only	75cd	75-94	24 VDC	M
MTWP-2475W-NW	9744	Yes	Yes, Strobe Only	75cd	75-94	24 VDC	M
Horns/Audibles							
AH-24WP-R	7416	Yes	Yes	N/A	90/95/99	24 VDC	K
MT-12/24-R	5023	Yes	No	N/A			M
Back Boxes		USE WITH	Mounting Option				
WPSBB-R	9751	RSSWP	T				
WPBB-R	9014	ASWP	I				
IOB-R	5046	MTWP & MT-12/24-R	M				
WBB-R	2959	AHWP	K				

*Refer to data sheet S7000 for mounting options

ARCHITECTS AND ENGINEERS SPECIFICATIONS

The Weatherproof Strobe appliances shall be Wheelock Series RSSWP-2475W strobes or approved equals. The Series RSSWP shall meet and be listed for ULC and S526-02 Standard 1638 (Standard for Visual Signaling Appliances) for Indoor/Outdoor use. The strobe appliances shall produce a flash rate of 30-62 flashes per minute over the Regulated Voltage Range of 20.0 to 31.0 VDC and shall incorporate a Xenon flashtube inclosed in a rugged Lexan® lens. The strobe shall be rated at 75cd and shall operate over an extended temperature range of -35°C to 66°C (-31°F to 150°F). All inputs shall be polarized for compatibility with standard reverse polarity supervision of circuit wiring by a Fire Alarm Control Panel. When synchronization is required, the appliances shall be compatible with the Wheelock Series DSM Sync Module(s). The strobes shall not drift out of synchronization at any time during operation. If the sync module fails to operate, (i.e., contacts remain closed), the strobe shall revert to a non-synchronized flash rate.

The Weatherproof Audible Strobe and Audible appliances shall be Wheelock Series ASWP-2475W Audible Strobes and Wheelock Series AHWP Audible Horns or approved equals. The Series ASWP and Series AHWP shall meet and be listed for ULC and S526-02 Standard 1638 (Standard for Visual Signaling Appliances) for Indoor/Outdoor use. The strobe appliances shall produce a flash rate of 30-62 flashes per minute over the Regulated Voltage Range of 20.0 to 31.0 VDC and shall incorporate a Xenon flashtube enclosed in a rugged Lexan® lens. The strobe shall be rated at 75cd and shall operate over an extended temperature range of -35°C to 66°C (-31°F to 150°F). All inputs shall be polarized for compatibility with standard reverse polarity supervision of circuit wiring by a Fire Alarm Control Panel (FACP).

The weatherproof audible strobe appliances shall be designed for two-wire operation and shall provide either a continuous or temporal (Code 3) tone when constant voltage from a Notification Appliance Circuit (NAC) of the Fire Alarm Control Panel (FACP) is applied. They shall be designed so that the audible signal may be silenced while maintaining strobe activation. When synchronization is required, the appliances shall be compatible with the Wheelock Series DSM Sync Module(s). The strobes shall not drift out of synchronization at any time during operation. If the sync fails to operate, (i.e., contacts remain closed), the strobe shall revert to a non-synchronized flash rate.

The Weatherproof Multitone Strobe and Multitone Audible appliances shall be a Wheelock Series MTWP and MT-12/24 or equivalent. The Series MTWP shall meet and be listed for ULC and S526-02 Standard 1638 (Standard for Visual Signaling Appliances) for indoor/outdoor use. The strobe portion of the appliance shall produce a flash rate of 30-62 flashes per minute over the listed voltage range of 20-31 VDC and shall incorporate a Xenon flash tube enclosed in a rugged Lexan® lens. The strobe shall be rated at 75cd. The series MTWP shall operate over an extended temperature range of -35°C to 66°C (-31°F to 150°F). All inputs shall be polarized for compatibility with industry standard reverse polarity of circuit wiring by a Fire Alarm Control Panel. The audible portion of the Series MTWP as well as the Series MT-12/24 shall provide eight field selectable alarm signals. The signals shall consists of: Horn, Bell, March Time, Code 3 Horn, Code 3 Tone, Slow Whoop, Siren and Hi/Lo. Tone selection shall be by a durable dip switch assembly. Clips or Jumpers are not acceptable. The appliance shall provide two output sound levels: Standard and High dBA. The range of dBA shall be 75 to 94 dBA. The Series MTWP shall have an operating voltage of 24 VDC (nominal) while the Series MT-12/24 shall operate at either 12 or 24 VDC (nominal) using filtered power or unfiltered power (full wave rectified). Both models shall have provisions for In/Out field wiring using terminals that accept #12 to #18 AWG wiring. When synchronization is required, the Series MTWP shall be compatible with the Series DSM Sync Modules. **Note: The Strobe portion of the Series MTWP may be synchronized. The audible portion of the appliance cannot. The audible portion of the appliance can be connected to a coded fire alarm system. The Series MTWP and the Series MT-12/24 shall be mounted only to the IOB-R Backbox.**

Due to continuous development of our products, specifications and offerings are subject to change without notice in accordance with Wheelock Inc. standard terms and conditions.



WE ENCOURAGE AND SUPPORT NICET CERTIFICATION
3 YEAR WARRANTY

S9004C WP 06/11

NJ Location
273 Branchport Ave.
Long Branch, NJ 07740
P: 800-631-2148
F: 732-222-8707
www.coopernotification.com